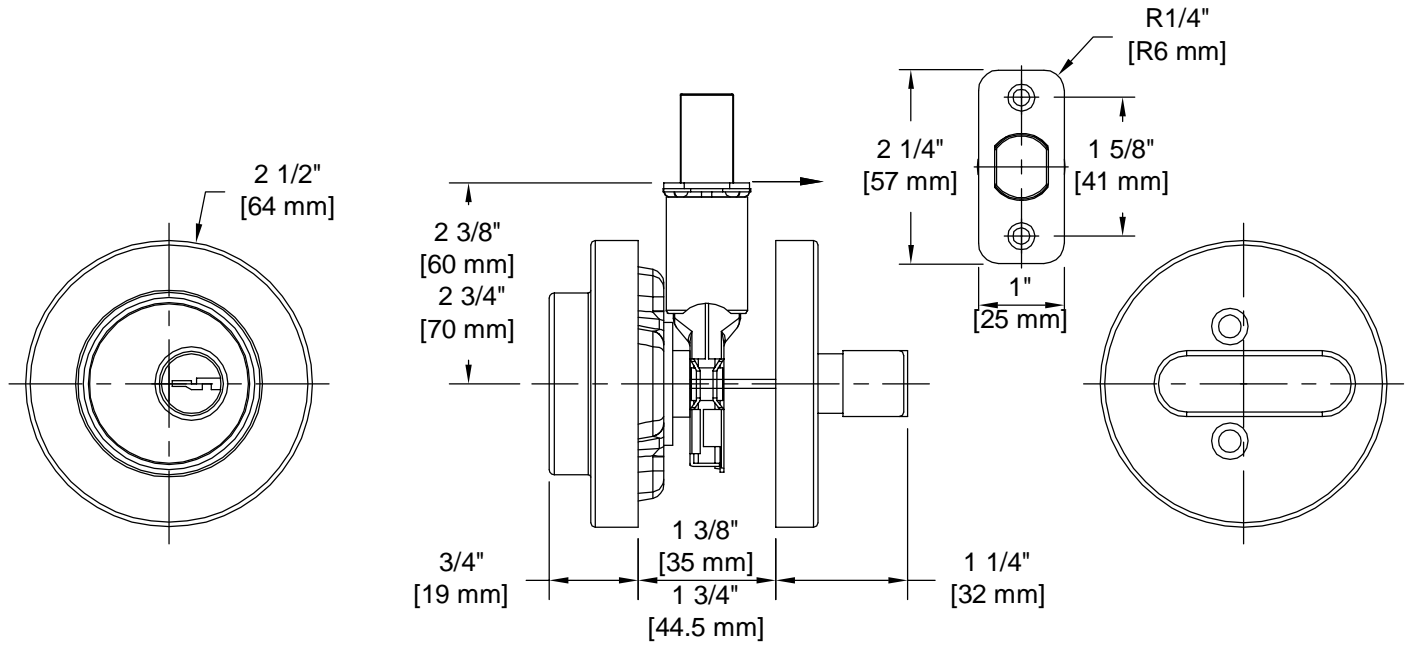


PRODUCT DATA SHEET

Product Description: Contemporary dead bolt door lock, keyed single cylinder. ANSI Grade 3 dead bolt with a Kwikset KW 1 solid brass keyway. Body fabricated from zinc with a US19 matte black finish. Internal mechanism fabricated from hardened steel with a zinc dichromate corrosion preventive finish. Key opens outside, thumbscrew turn opens inside. Ships with mounting hardware. Lock ships with mortise latch. Optional drive in latch (product #87396) and UL10C fire rated latch (product #87375) available.



Door Prep: Cross Bore 2 1/8+, Edge Bore 1+, Mortise Latch Face 1+x 2 1/4+, Optional Drive In Latch 1" Diameter Drilled Hole
Latches: Ships With Mortise Latch As Shown Above. Optional Drive In Or UL10C Fire Rated Latches Available
Backset: Adjustable Latch to 2 3/8+or 2 3/4+
Door Thickness: Fit all 1 3/8+- 1 3/4+Standard Doors
Cylinder: Brass with Nickel Plated Brass Keys and 5 Pin Tumbler Kwikset KW1 Keyway
Strike Plate: 2 1/4+Full Lip Strike
Bolt: 1+Throw

REKEY OPTIONAL



Overall Size: 2 1/2" W X 2 1/2" H X 1 1/4" D

Material: Zinc

Finish: US19 Matte Black

Cross Reference

Manufacturer	Part Number



Description:

**Dead Bolt, Single
Cylinder, Keyed,
Contemporary**

Part Number:

87626

Date

07/17

Rev.

01