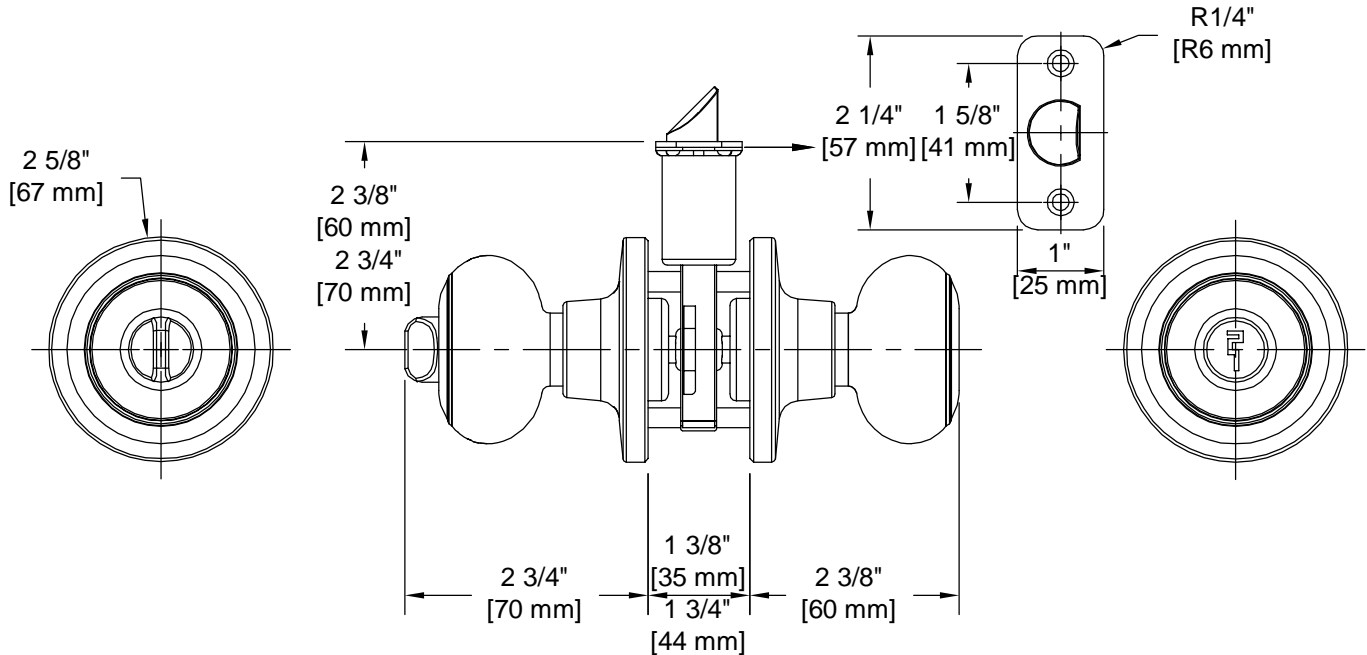


PRODUCT DATA SHEET

Product Description: Entry lock knob. ANSI Grade 3 with a Kwikset KW 1 Keyway. Fabricated from brass with a US26 bright chrome finish. Locked or unlocked by key outside or turn button inside. Ships with mounting hardware. Lock ships with mortise latch. Optional drive in latch (product #87392) and UL10C fire rated latch (product #87370) available.



Door Prep: Cross Bore 2 1/8+, Edge Bore 1+, Mortise Latch Face 1+x 2 1/4+, Optional Drive In Latch 1" Diameter Drilled Hole
Latches: Ships With Mortise Latch As Shown Above. Optional Drive In Or UL10C Fire Rated Latches Available
Backset: Adjustable Latch to 2 3/8+or 2 3/4+
Door Thickness: Fit all 1 3/8+- 1 3/4+Standard Doors
Cylinder: Brass with 5 Pin Tumbler Kwikset KW 1 Keyway
Strike Plate: 2 1/4+Full Lip Strike
Bolt: 1/2+Throw

REKEY OPTIONAL



Overall Size: 2 5/8" W X 2 5/8" H X 2 3/4" D

Material: Brass

Finish: US26 Bright Chrome

Cross Reference

Manufacturer	Part Number



Description:

**Lock Knob, Entry,
Callista, KW1, ANSI
Grade 3**

Part Number:

87723

Date

11/16

Rev.

01

Sheet 1 of 1