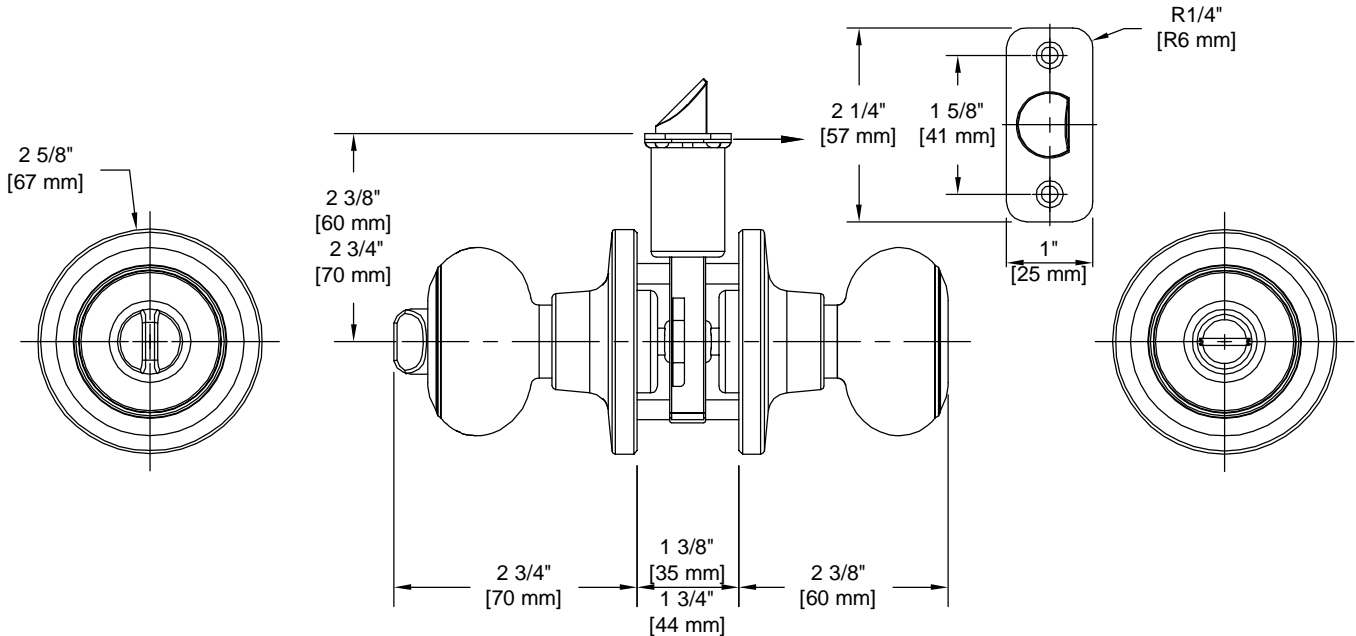


PRODUCT DATA SHEET

Product Description: Privacy lock knob. ANSI Grade 3. Fabricated from brass with US26 bright chrome finish. Locked or unlocked by a turn button inside. Ships with mounting hardware. Lock ships with mortise latch. Optional drive in latch (product #87394) and UL10C fire rated latch (product #87373) available.



Door Prep: Cross Bore 2 1/8+, Edge Bore 1+, Mortise Latch Face 1+x 2 1/4+, Optional Drive In Latch 1" Diameter Drilled Hole
Latches: Ships With Mortise Latch As Shown Above. Optional Drive In Or UL10C Fire Rated Latches Available
Backset: Adjustable Latch to 2 3/8+or 2 3/4+
Door Thickness: Fit all 1 3/8+- 1 3/4+Standard Doors
Strike Plate: 2 1/4+Full Lip Strike
Bolt: 1/2+Throw



Overall Size: 2 5/8" W X 2 5/8" H X 2 3/4" D

Material: Brass

Finish: US26 Bright Chrome

Cross Reference

Manufacturer	Part Number



Description:
**Privacy Knob, Callista,
 ANSI Grade 3**

Part Number: 87724	Date 11/16	Rev. 01
Sheet 1 of 1		