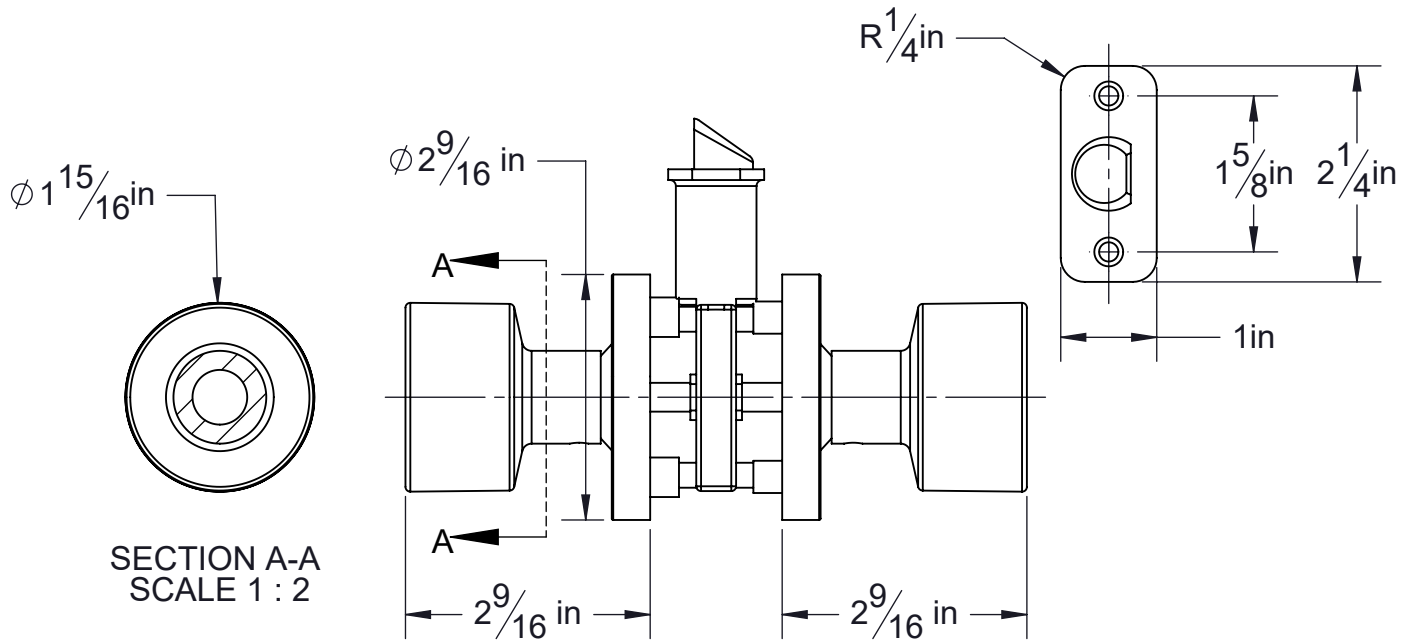


PRODUCT DATA SHEET

Product Description: Contemporary style passage function door knob set. Knob turn opens latch on both sides. Knobs fabricated from brass with a US19 matte black finish. Ships with a mortise (not drive in) latch. Optional drive in latch (product #87398) and UL10C fire rated latch (product #87520) available.



Door Preparation: Cross Bore $2 \frac{1}{8}$ " , Edge Bore 1" , Mortise Latch Face 1" X $2 \frac{1}{4}$ " , Optional Drive In Latch Requires 1" Diameter Edge Bore
Latches: Ships With Mortise Latch As Shown Above. Optional Drive In Or UL10C Fire Rated Latches Available
Backset: Adjustable Latch $2 \frac{3}{8}$ " Or $2 \frac{3}{4}$ "
Door Thickness: Fits All $1 \frac{3}{8}$ " - $1 \frac{3}{4}$ " Standard Doors
Strike Plate: $2 \frac{1}{4}$ " Full Lip Strike
Bolt: $\frac{1}{2}$ " Throw



Overall Size: $2 \frac{9}{16}$ " W X $2 \frac{9}{16}$ " H X $2 \frac{9}{16}$ " D

Material: Brass Knobs, Steel Mechanism

Finish: US19 Matte Black

Cross Reference

Manufacturer	Part Number



Description:

**Door Knob Set, Passage,
Brooklyn, ANSI Grade 3**

Part Number:

87413

Date

07/17

Rev.

01

Sheet 1 of 1