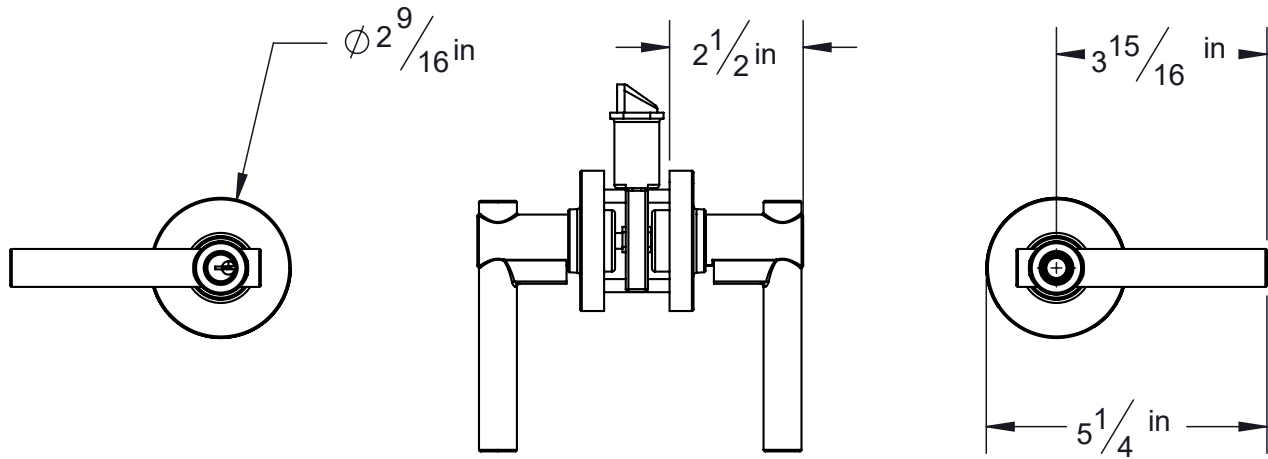


PRODUCT DATA SHEET

Product Description: Contemporary entry function door lever set. ANSI Grade 3 with a Kwikset KW 1 keyway. Fabricated from die cast zinc with US19 matte black finish. Locked or unlocked by key outside or push button inside. Ships with mounting hardware. Lock ships with mortise latch. Optional drive in latch (product #87397) and UL10C fire rated latch (product #87525) available.



Door Prep: Cross Bore $2 \frac{1}{8}$ " , Edge Bore 1" , Mortise Latch Face 1" X $2 \frac{1}{4}$ " , Optional Drive In Latch 1" Diameter Drilled Bore
Latches: Ships With Mortise Latch As Shown Above. Optional Drive In Or UL10C Fire Rated Latches Available

Backset: Adjustable Latch $2 \frac{3}{8}$ " Or $2 \frac{3}{4}$ "

Door Thickness: Fits All $1 \frac{3}{8}$ " - $1 \frac{3}{4}$ " Standard Doors

Cylinder: Ships With 5 Pin KW1 Cylinder

Strike Plate: $2 \frac{1}{4}$ " Full Lip Strike

Bolt: $\frac{1}{2}$ " Throw

REKEY OPTIONAL



Overall Size: $5 \frac{1}{4}$ " W X $2 \frac{9}{16}$ " H X $2 \frac{1}{2}$ " D

Material: Die Cast Zinc Levers Steel Mechanism

Finish: US19 Matte Black

Cross Reference

Manufacturer	Part Number



Description:

**Door Knob Set, Entry,
Riley, ANSI Grade 3**

Part Number:

87756

Date

Rev.

Sheet 1 of 1