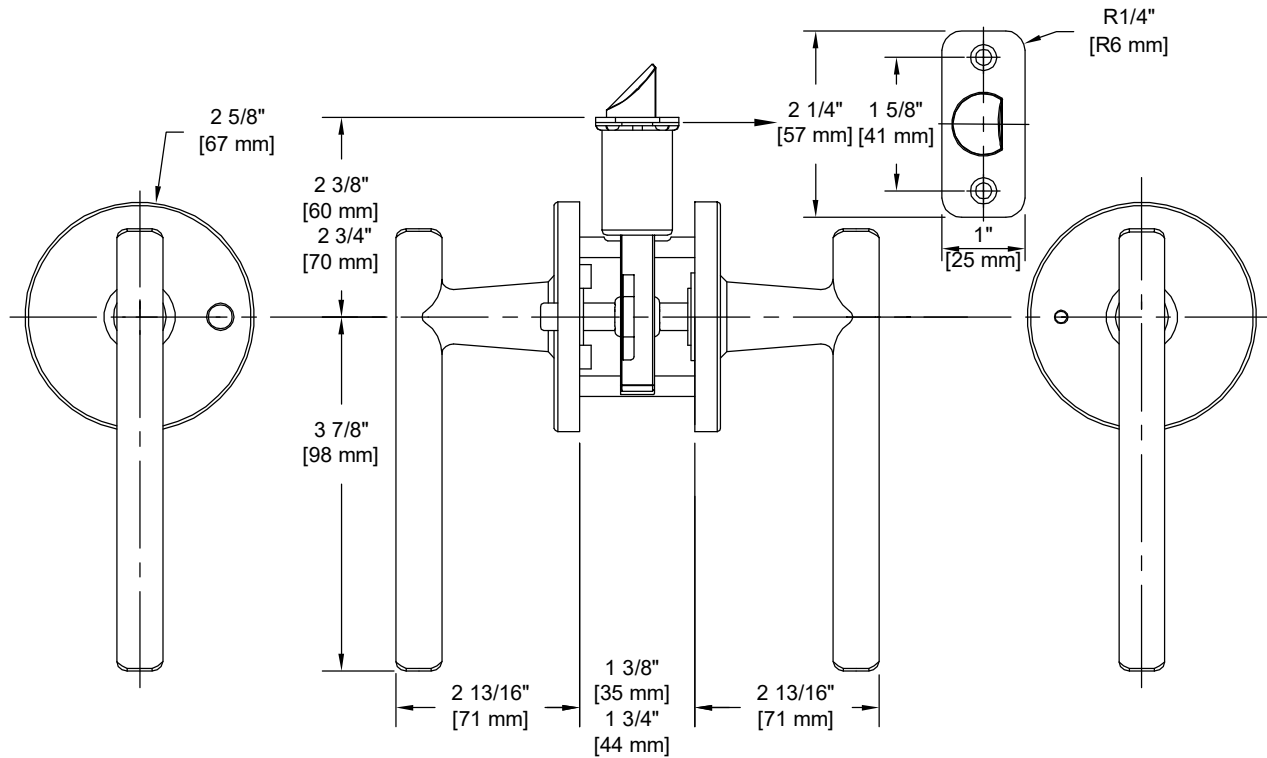


# PRODUCT DATA SHEET

**Product Description:** Privacy lever, reversible. Fabricated from die cast zinc with a US19 matte black finish. Locked or unlocked by a push button inside. Ships with mounting hardware. Lock ships with mortise latch. Optional drive in latch (product #87398) and UL10C fire rated latch (product #87520) available.



**Door Prep:** Cross Bore 2 1/8", Edge Bore 1", Mortise Latch Face 1" x 2 1/4", Optional Drive In Latch 1" Diameter Drilled Hole  
**Latches:** Ships With Mortise Latch As Shown Above. Optional Drive In Or UL10C Fire Rated Latches Available  
**Backset:** Adjustable Latch to 2 3/8" or 2 3/4"  
**Door Thickness:** Fit all 1 3/8" - 1 3/4" Standard Doors  
**Strike Plate:** 2 1/4" Full Lip Strike  
**Bolt:** 1/2" Throw



<b>Overall Size:</b> 5 1/4" W X 2 5/8" H X 2 13/16" D	
<b>Material:</b> Die Cast Zinc	
<b>Finish:</b> US19 Matte Black	
<b>Cross Reference</b>	
<b>Manufacturer</b>	<b>Part Number</b>



Description: <b>Privacy Lever, Reversible, Riley, ANSI Grade 3</b>		
Part Number: <b>87758</b>	Date: 07/17	Rev. 01
Sheet 1 of 1		