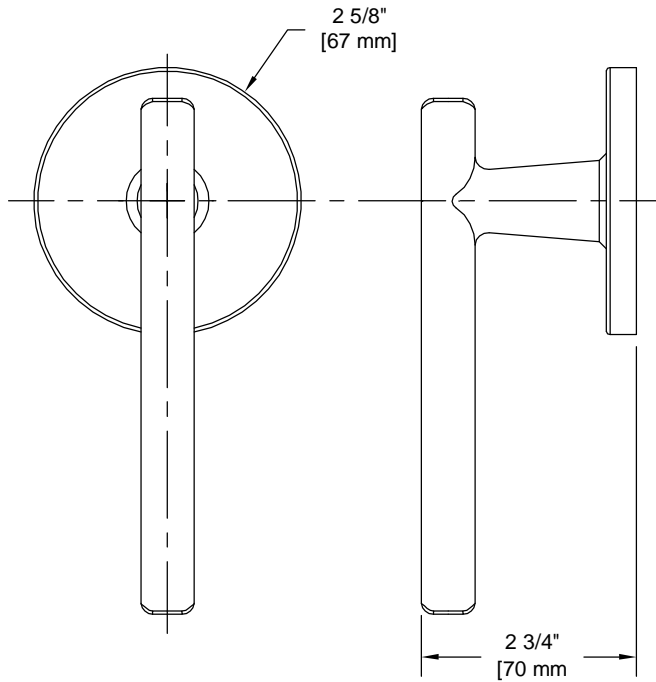


PRODUCT DATA SHEET

Product Description: Dummy door lever, reversible. Fabricated from die cast zinc with a US19 matte black finish. Product does not turn or perform a function other than for decorative purposes or as a pull. Surface mounted with 2 exposed mounting screws. Door thickness should be greater than 1+. Ships with mounting hardware.



Door Thickness: Fits All 1 3/8" - 1 3/4" Standard Doors



Overall Size: 5 1/4" W X 2 5/8" H X 2 3/4" D

Material: Die Cast Zinc

Finish: US19 Matte Black

Cross Reference

Manufacturer	Part Number



Description:

Lock Lever, Dummy, Reversible, Riley

Part Number:

87759

Date

07/17

Rev.

01