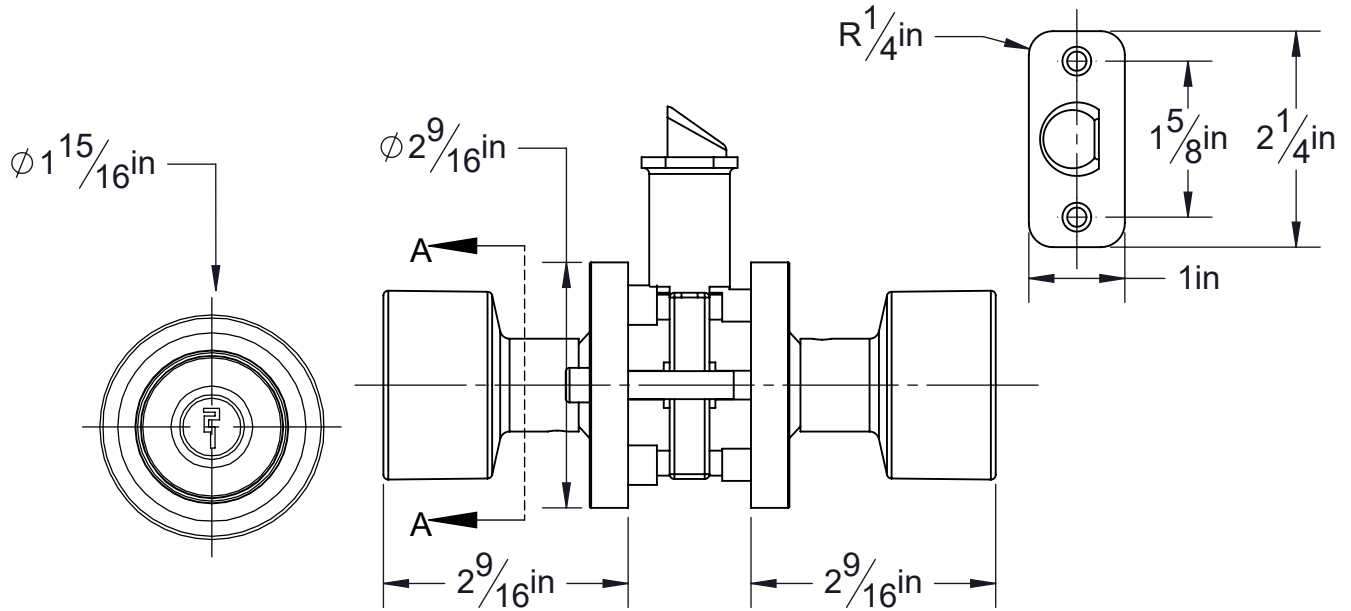


PRODUCT DATA SHEET

Product Description: Contemporary style entry lock knob. ANSI Grade 3 with a Kwikset KW 1 Keyway. Fabricated from brass with a US15 satin nickel finish. Locked or unlocked by key outside or push button inside. Ships with mounting hardware. Lock ships with mortise latch. Optional drive in latch (product #87397) and UL10C fire rated latch (product#87526) available.



Door Prep: Cross Bore $2 \frac{1}{8}$ +, Edge Bore 1+, Mortise Latch Face $1 \times 2 \frac{1}{4}$ +, Optional Drive In Latch 1" Diameter Drilled Hole
Latches: Ships With Mortise Latch As Shown Above. Optional Drive In Or UL10C Fire Rated Latches Available
Backset: Adjustable Latch to $2 \frac{3}{8}$ or $2 \frac{3}{4}$ +
Door Thickness: Fit all $1 \frac{3}{8}$ - $1 \frac{3}{4}$ + Standard Doors
Cylinder: Brass with 5 Pin Tumbler Kwikset KW 1 Keyway
Strike Plate: $2 \frac{1}{4}$ + Full Lip Strike
Bolt: $\frac{1}{2}$ + Throw

REKEY OPTIONAL



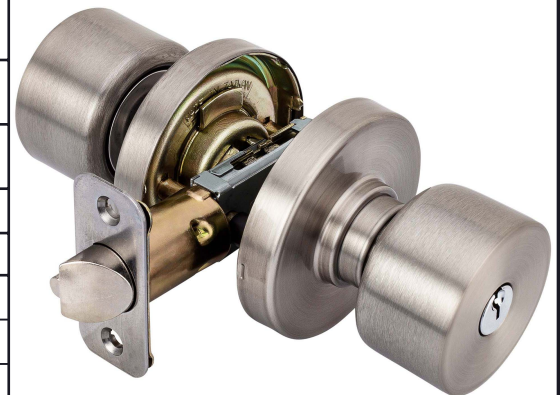
Overall Size: $2 \frac{9}{16}$ " W X $2 \frac{9}{16}$ " H X $2 \frac{9}{16}$ " D

Material: Brass Knobs, Steel Mechanism

Finish: US15 Satin Nickel

Cross Reference

Manufacturer	Part Number



Description:

Door Knob Set, Entry, Brooklyn, ANSI Grade 3

Part Number:

87770

Date

Rev.

Sheet 1 of 1