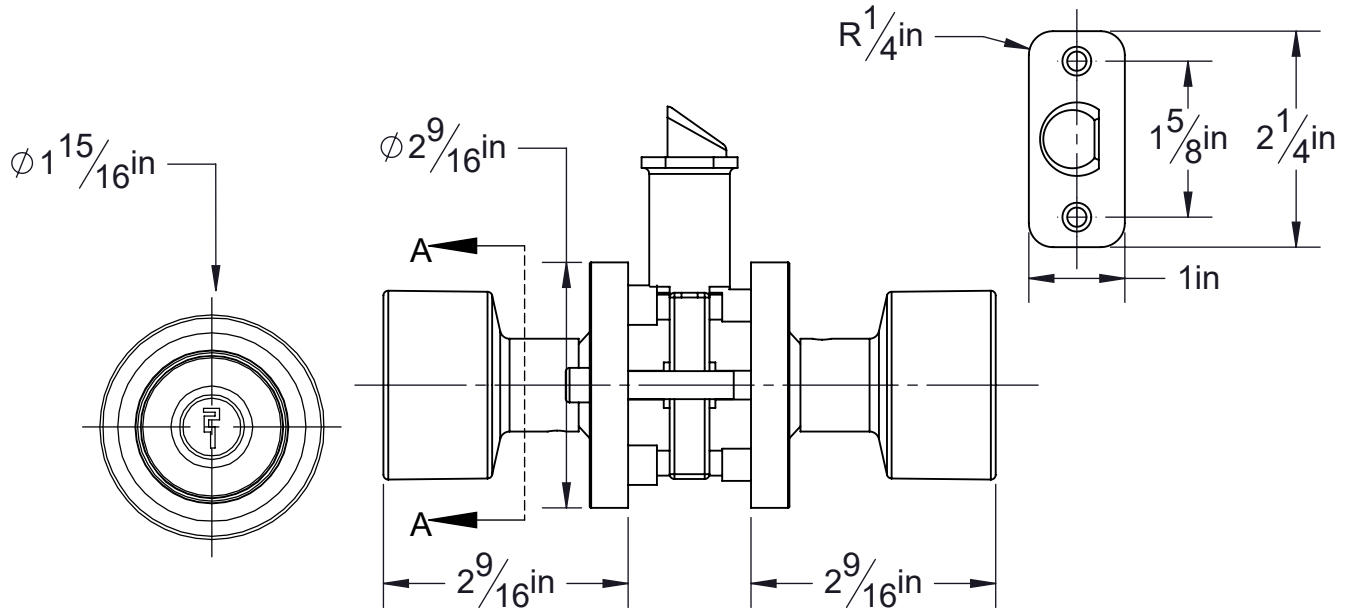


# PRODUCT DATA SHEET

**Product Description:** Contemporary style entry lock knob. ANSI Grade 3 with a Kwikset KW 1 Keyway. Fabricated from brass with a US19 matte black finish. Locked or unlocked by key outside or push button inside. Ships with mounting hardware. Lock ships with mortise latch. Optional drive in latch (product #87397) and UL10C fire rated latch (product#87525) available.



**Door Prep:** Cross Bore  $2 \frac{1}{8}$ +, Edge Bore 1+, Mortise Latch Face  $1 \times 2 \frac{1}{4}$ +, Optional Drive In Latch 1" Diameter Drilled Hole  
**Latches:** Ships With Mortise Latch As Shown Above. Optional Drive In Or UL10C Fire Rated Latches Available  
**Backset:** Adjustable Latch to  $2 \frac{3}{8}$ + or  $2 \frac{3}{4}$ +  
**Door Thickness:** Fit all  $1 \frac{3}{8}$ -  $1 \frac{3}{4}$ + Standard Doors  
**Cylinder:** Brass with 5 Pin Tumbler Kwikset KW 1 Keyway  
**Strike Plate:**  $2 \frac{1}{4}$ + Full Lip Strike  
**Bolt:**  $\frac{1}{2}$ + Throw

**REKEY OPTIONAL**



**Overall Size:**  $2 \frac{9}{16}$ " W X  $2 \frac{9}{16}$ " H X  $2 \frac{9}{16}$ " D

**Material:** Brass Knobs, Steel Mechanism

**Finish:** US19 Matte Black

**Cross Reference**

Manufacturer	Part Number



Description:

**Door Knob Set, Entry, Brooklyn, ANSI Grade 3**

Part Number:

**87771**

Date

Rev.

Sheet 1 of 1