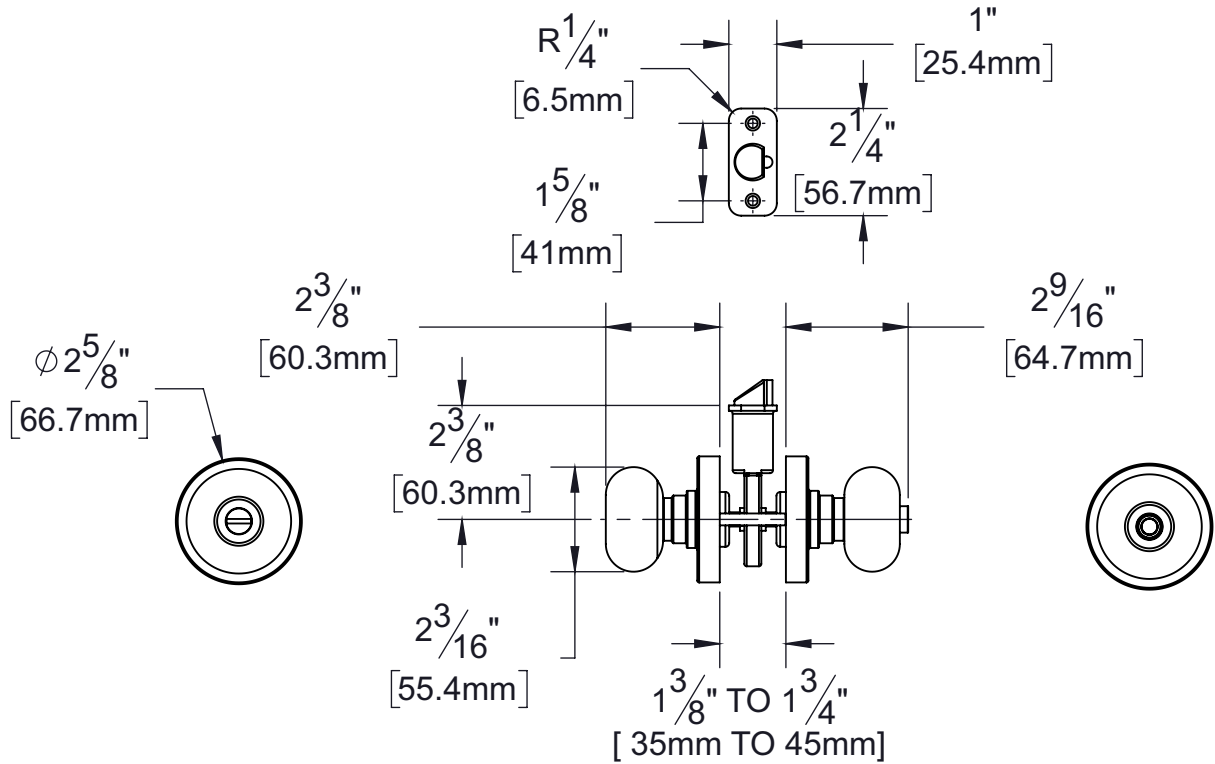


PRODUCT DATA SHEET

Product Description: Privacy lock knob. ANSI Grade 3. Fabricated from zinc with a US11P venetian bronze finish. Locked or unlocked by a turn button inside. Ships with mounting hardware. Lock ships with mortise latch. Optional drive in and UL10C fire rated latches available.



Door Prep: Cross Bore $2\frac{1}{8}$ ", Edge Bore 1", Mortise Latch Face $1\frac{1}{2}$ " x $2\frac{1}{4}$ ", Optional Drive In Latch 1" Diameter Drilled Hole
Latches: Ships With Mortise Latch As Shown Above. Optional Drive In Or UL10C Fire Rated Latches Available
Backset: Adjustable Latch to $2\frac{3}{8}$ " or $2\frac{3}{4}$ "
Door Thickness: Fit all $1\frac{3}{8}$ " - $1\frac{3}{4}$ " Standard Doors
Strike Plate: $2\frac{1}{4}$ " Full Lip Strike
Bolt: $\frac{1}{2}$ " Throw



Overall Size: 2 5/8" W X 2 5/8" H X 2 9/16" D	
Material: Zinc	
Finish: US11P Venetian Bronze	
Cross Reference	
Manufacturer	Part Number



Description:		
Privacy Knob, Rio, ANSI Grade 3		
Part Number:	Date	Rev.
87803	09/17	00
Sheet 1 of 1		