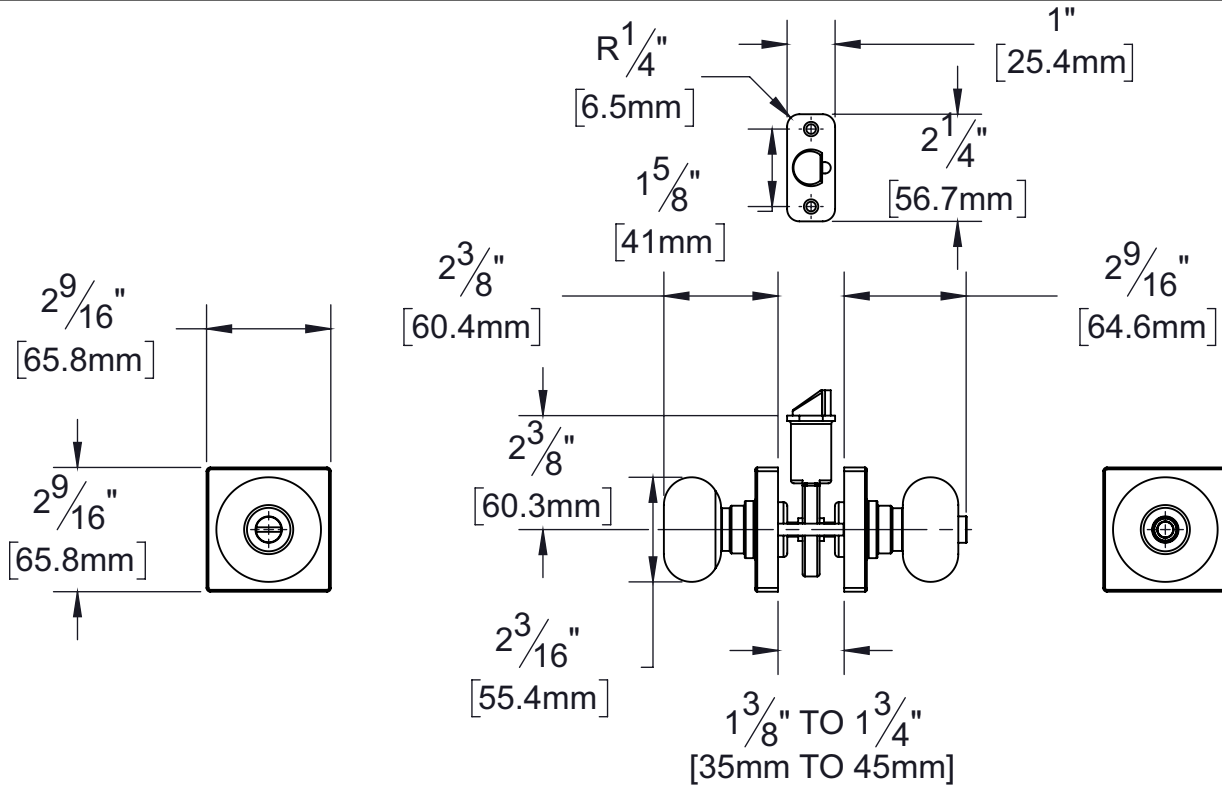


# PRODUCT DATA SHEET

**Product Description:** Privacy Knob, Kendall, ANSI Grade 3. This is a privacy knob for use on doors. It features a mortise latch mechanism and is available in various finishes and materials. The product is designed for standard door thicknesses and includes a strike plate and a 1/2" throw bolt.



**Door Prep:** Cross Bore 2 1/8", Edge Bore 1", Mortise Latch Face 1" x 2 1/4", Optional Drive In Latch 1" Diameter Drilled Hole  
**Latches:** Ships With Mortise Latch As Shown Above. Optional Drive In Or UL10C Fire Rated Latches Available  
**Backset:** Adjustable Latch to 2 3/8" or 2 3/4"  
**Door Thickness:** Fit all 1 3/8" - 1 3/4" Standard Doors  
**Strike Plate:** 2 1/4" Full Lip Strike  
**Bolt:** 1/2" Throw



<b>Overall Size:</b> 2 9/16" W X 2 9/16" H X 2 9/16" D	
<b>Material:</b> Zinc	
<b>Finish:</b> US11P Venetian Bronze	
<b>Cross Reference</b>	
<b>Manufacturer</b>	<b>Part Number</b>



Description: <b>Privacy Knob, Kendall, ANSI Grade 3</b>		
Part Number: <b>87815</b>	Date: 09/17	Rev. 00
Sheet 1 of 1		