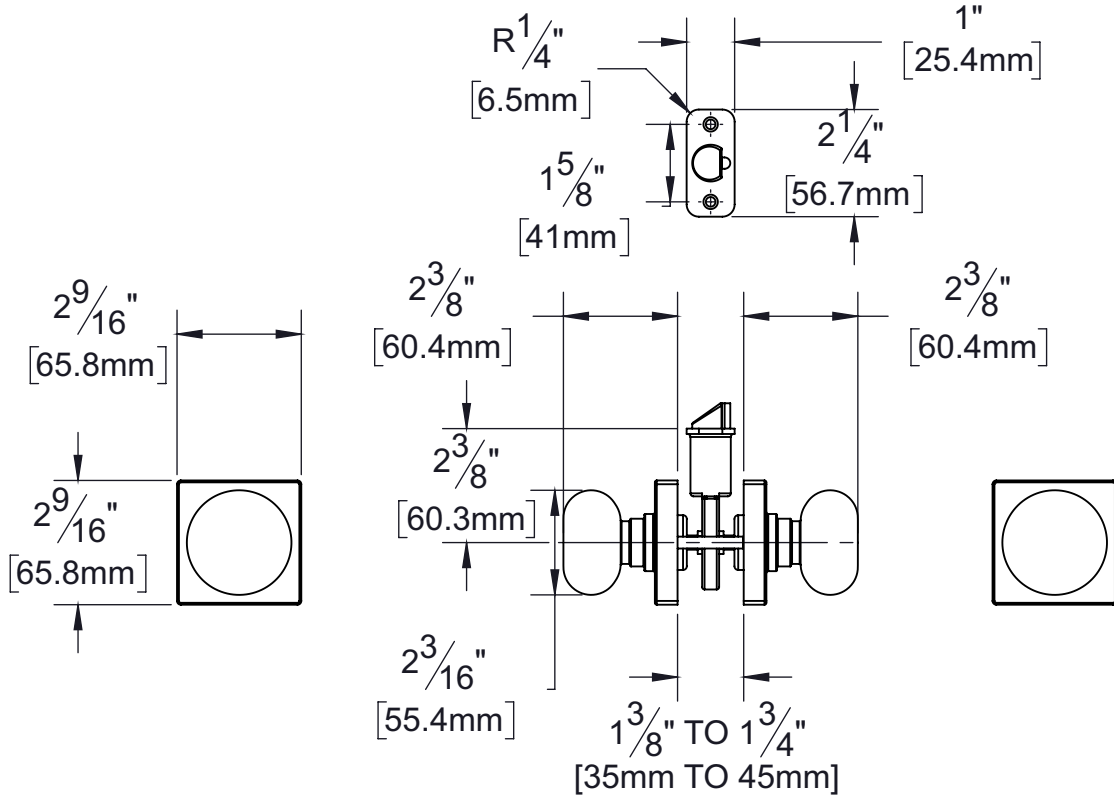


# PRODUCT DATA SHEET

**Product Description:** Passage door knob. ANSI Grade 3. Fabricated from zinc with a US26 bright chrome finish. Both knobs are always free. Ships with mounting hardware. Lock ships with mortise latch. Optional drive in latch (product #87394) and UL10C fire rated latch (product #87373) available.



**Door Prep:** Cross Bore  $2\frac{1}{8}$ ", Edge Bore 1", Mortise Latch Face 1" x  $2\frac{1}{4}$ ", Optional Drive In Latch 1" Diameter Drilled Hole  
**Latches:** Ships With Mortise Latch As Shown Above. Optional Drive In Or UL10C Fire Rated Latches Available  
**Backset:** Adjustable Latch to  $2\frac{3}{8}$ " or  $2\frac{3}{4}$ "  
**Door Thickness:** Fit all  $1\frac{3}{8}$ " -  $1\frac{3}{4}$ " Standard Doors  
**Strike Plate:**  $2\frac{1}{4}$ " Full Lip Strike  
**Bolt:**  $\frac{1}{2}$ " Throw



<b>Overall Size:</b> $2\frac{9}{16}$ " W X $2\frac{9}{16}$ " H X $2\frac{3}{8}$ " D	
<b>Material:</b> Zinc	
<b>Finish:</b> US26 Bright Chrome	
<b>Cross Reference</b>	
<b>Manufacturer</b>	<b>Part Number</b>



Description:		
<b>Passage Knob, Kendall, ANSI Grade 3</b>		
Part Number:	Date	Rev.
<b>87820</b>	09/17	00
Sheet 1 of 1		

