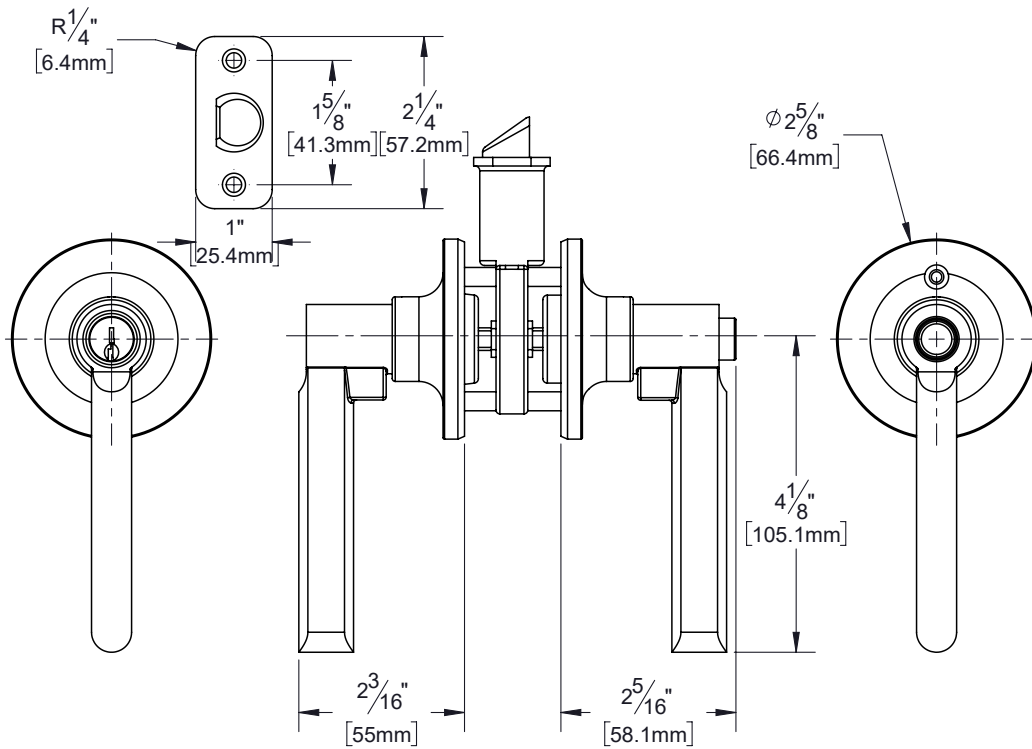


PRODUCT DATA SHEET

Product Description: Entry door lock lever, reversible. ANSI Grade 3 with a Kwikset KW 1 keyway. Fabricated from die cast zinc with US19 matte black finish. Locked or unlocked by key outside or push button inside. Ships with mounting hardware. Lock ships with mortise latch. Optional drive in latch (product #87392) and UL10C fire rated latch (product #87371) available.



Door Prep: Cross Bore $2\frac{1}{8}$ ", Edge Bore 1 ", Mortise Latch Face 1 " x $2\frac{1}{4}$ ", Optional Drive In Latch 1 " Diameter Drilled Hole

Latches: Ships With Mortise Latch As Shown Above. Optional Drive In Or UL10C Fire Rated Latches Available

Backset: Adjustable Latch to $2\frac{3}{8}$ " or $2\frac{3}{4}$ "

Door Thickness: Fit all $1\frac{3}{8}$ " - $1\frac{3}{4}$ " Standard Doors

Cylinder: Brass with 5 Pin Tumbler Kwikset KW 1 Keyway

Strike Plate: $2\frac{1}{4}$ " Full Lip Strike

Bolt: $\frac{1}{2}$ " Throw

REKEY OPTIONAL



Overall Size: $5\frac{1}{2}$ " W X $2\frac{5}{16}$ " H X $2\frac{5}{8}$ " D

Material: Die Cast Zinc

Finish: US19 Matte Black

Cross Reference

Manufacturer	Part Number



Description:

**Entry Lever, Reversible,
Fallon, KW 1, ANSI Grade 3**

Part Number:

87861

Date

07/21

Rev.

00

Sheet 1 of 1