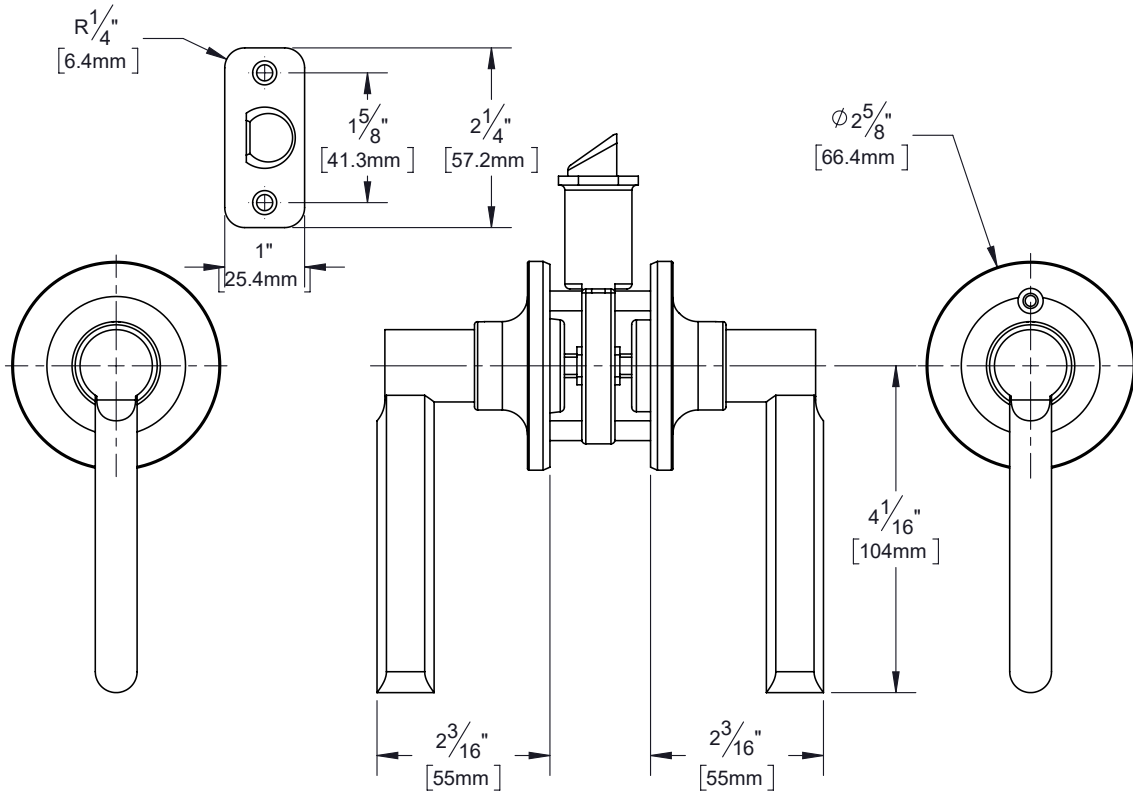


PRODUCT DATA SHEET

Product Description: Passage door lever, reversible. ANSI Grade 3. Fabricated from die cast zinc with a US26 bright chrome finish. Both levers are always free. Ships with mounting hardware. Lock ships with mortise latch. Optional drive in latch (product #87394) and UL10C fire rated latch (product #87373) available.



Door Prep: Cross Bore $2\frac{1}{8}$ ", Edge Bore 1", Mortise Latch Face 1" x $2\frac{1}{4}$ ", Optional Drive In Latch 1" Diameter Drilled Hole
Latches: Ships With Mortise Latch As Shown Above. Optional Drive In Or UL10C Fire Rated Latches Available
Backset: Adjustable Latch to $2\frac{3}{8}$ " or $2\frac{3}{4}$ "
Door Thickness: Fit all $1\frac{3}{8}$ " - $1\frac{3}{4}$ " Standard Doors
Strike Plate: $2\frac{1}{4}$ " Full Lip Strike
Bolt: $\frac{1}{2}$ " Throw



Overall Size: $5\frac{3}{8}$ " W X $2\frac{3}{16}$ " H X $2\frac{5}{8}$ " D

Material: Die Cast Zinc

Finish: US26 Bright Chrome

Cross Reference

Manufacturer	Part Number



Description:

**Passage Lever, Reversible,
Fallon, ANSI Grade 3**

Part Number:

87868

Date

07/21

Rev.

00