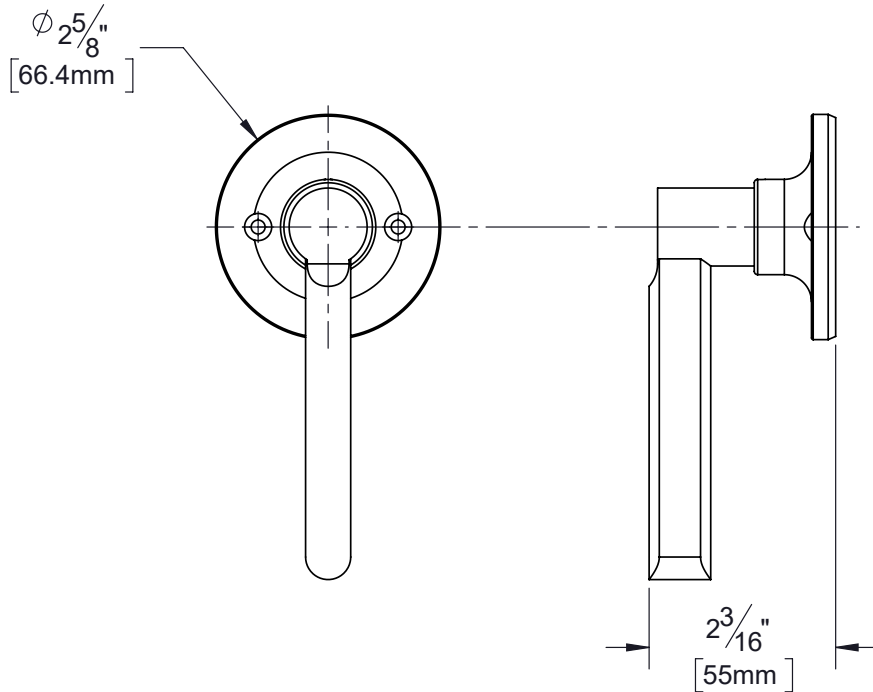


PRODUCT DATA SHEET

Product Description: Dummy door lever, reversible. Fabricated from die cast zinc with a US26 bright chrome finish. Product does not turn or perform a function other than for decorative purposes or as a pull. Surface mounted with 2 exposed mounting screws. Door thickness should be greater than 1". Ships with mounting hardware.



Overall Size: 5 3/8" W X 2 3/16" H X 2 5/8" D

Material: Die Cast Zinc

Finish: US26 Bright Chrome

Cross Reference

Manufacturer	Part Number



Description:

**Lock Lever, Dummy,
Reversible, Fallon**

Part Number:

87871

Date

07/21

Rev.

00