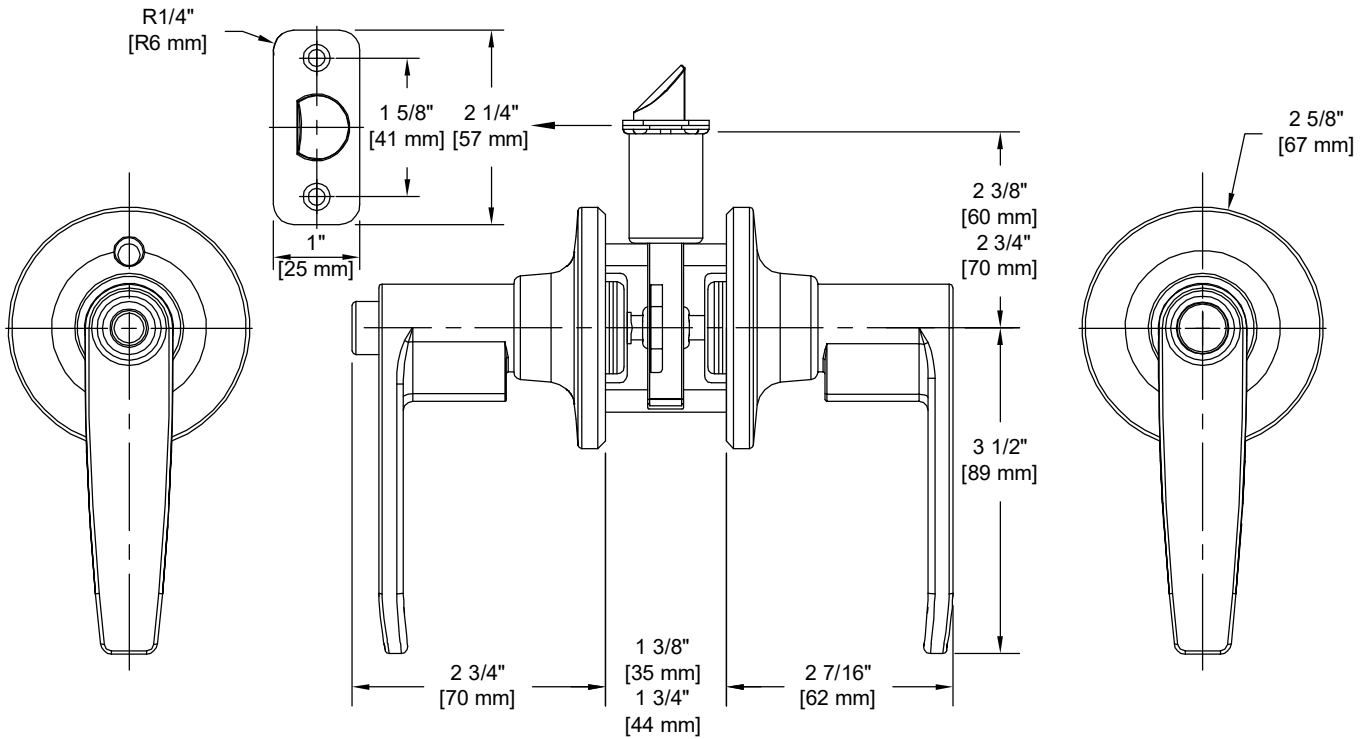


PRODUCT DATA SHEET

Product Description: Privacy lever, reversible. Fabricated from die cast zinc with a US19 matte black finish. Locked or unlocked by emergency key outside or push button inside. Ships with mounting hardware. Lock ships with mortise latch. Optional drive in latch (product #87394) and UL10C fire rated latch (product #87372) available.



Door Prep: Cross Bore $2\ 1/8"$, Edge Bore $1"$, Mortise Latch Face $1" \times 2\ 1/4"$, Optional Drive In Latch $1"$ Diameter Drilled Hole

Latches: Ships With Mortise Latch As Shown Above. Optional Drive In Or UL10C Fire Rated Latches Available

Backset: Adjustable Latch to $2\ 3/8"$ or $2\ 3/4"$

Door Thickness: Fit all $1\ 3/8"$ - $1\ 3/4"$ Standard Doors

Strike Plate: $2\ 1/4"$ Full Lip Strike

Bolt: $1/2"$ Throw



Overall Size: $4\ 13/16"$ W X $2\ 5/8"$ H X $2\ 1/16"$ D

Material: Die Cast Zinc

Finish: US19 Matte Black

Cross Reference

Manufacturer	Part Number



Description:

**Privacy Lever, Reversible,
Electra, ANSI Grade 3**

Part Number:

88852

Date

05/21

Rev.

00

Sheet 1 of 1