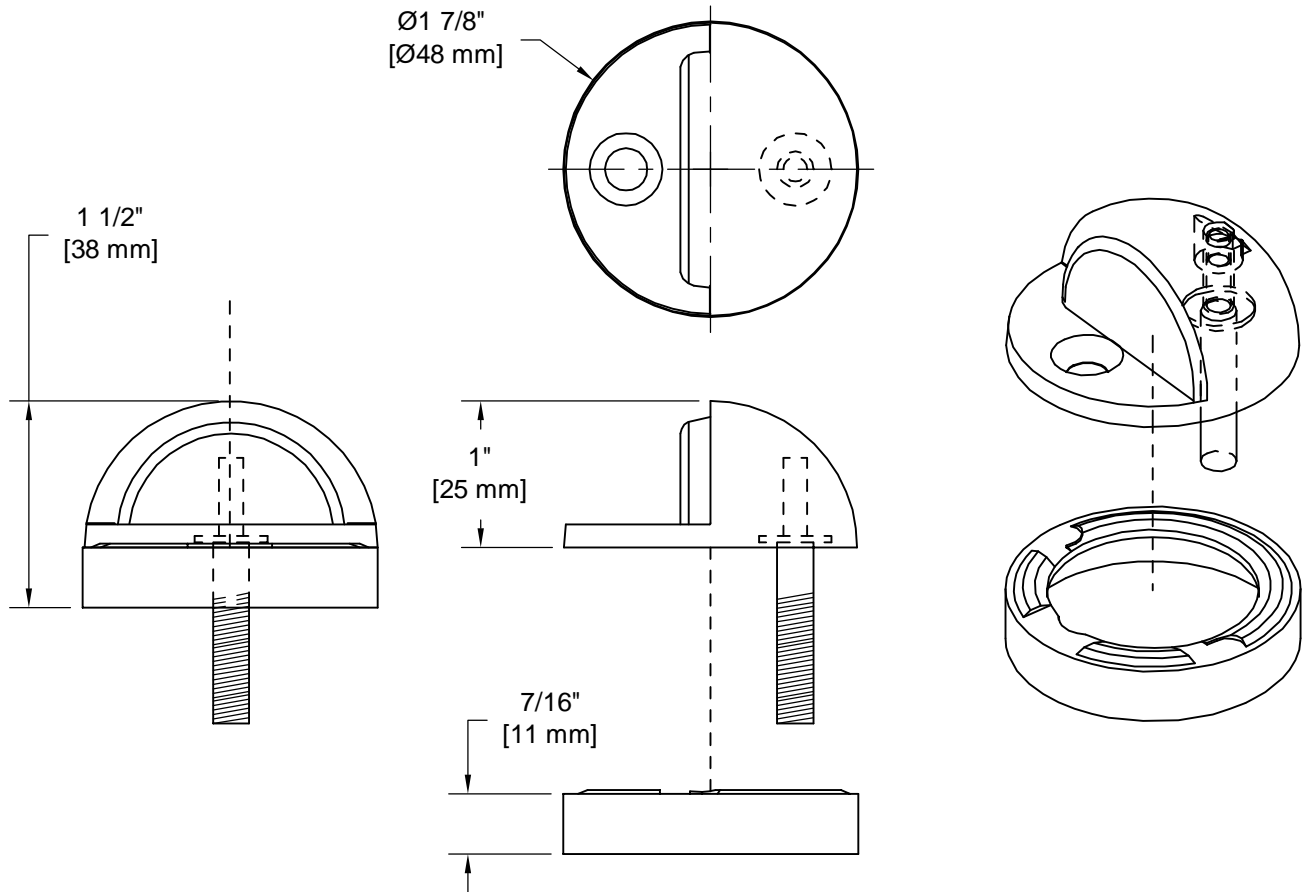


PRODUCT DATA SHEET

Product Description: Dome stop, adjustable high and low profile. Fabricated from solid brass with a US15 satin nickel finish. Single mounting screw included.



Overall Size: $1\ 7/8"$ W X $1\ 1/2"$ H X $1\ 7/8"$ D

Material: Brass

Finish: US15 Satin Nickel

Cross Reference

Manufacturer	Part Number



Description:

**Dome Stop, Adjustable
High And Low Profile,
Solid Brass**

Part Number:

DSHP916U15

Date

06/16

Rev.

02

Sheet 1 of 1