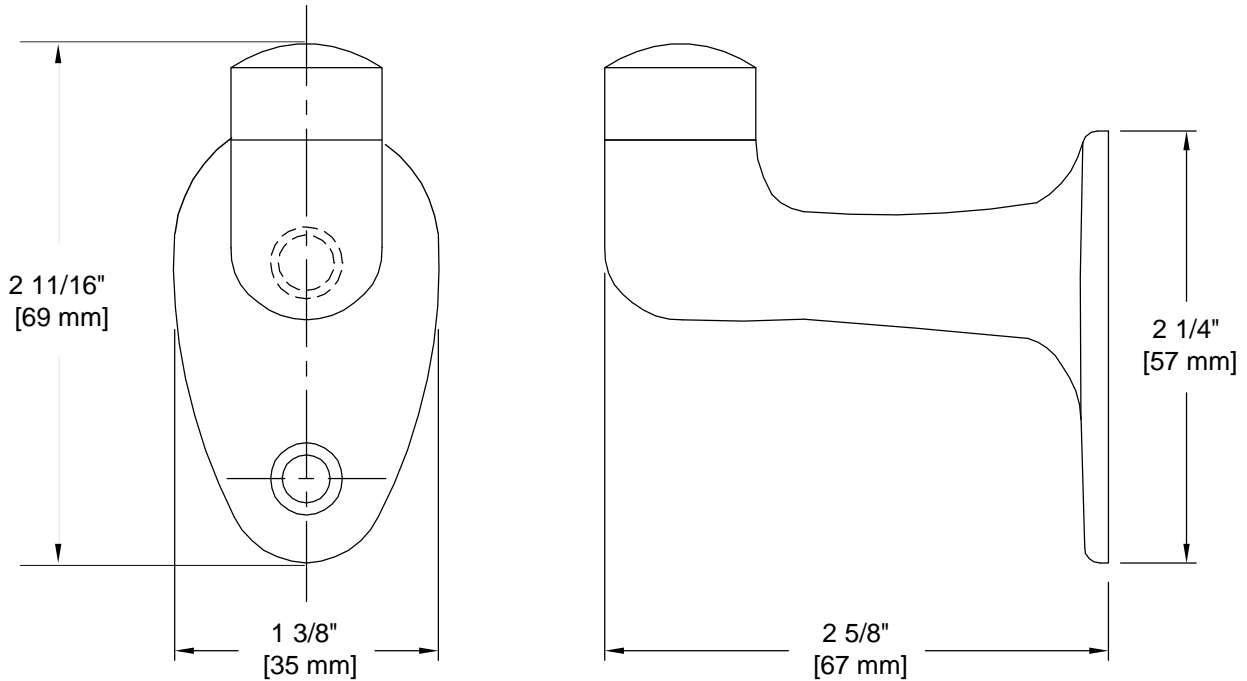


PRODUCT DATA SHEET

Product Description: Door bumper, goose neck, 2 5/8". Fabricated from zinc with a US10B oil rubbed bronze finish. Mounting hardware: One 1" length screw, concrete and wood anchors included.



Overall Size: 1 3/8" W X 2 11/16" H X 2 5/8" D

Material: Zinc

Finish: US10B Oil Rubbed Bronze

Cross Reference

Manufacturer	Part Number



Description:

**Door Bumper, Zinc,
Goose Neck, 2 5/8"**

Part Number:

FDB278U10B

Date

09/19

Rev.

06

Sheet 1 of 1