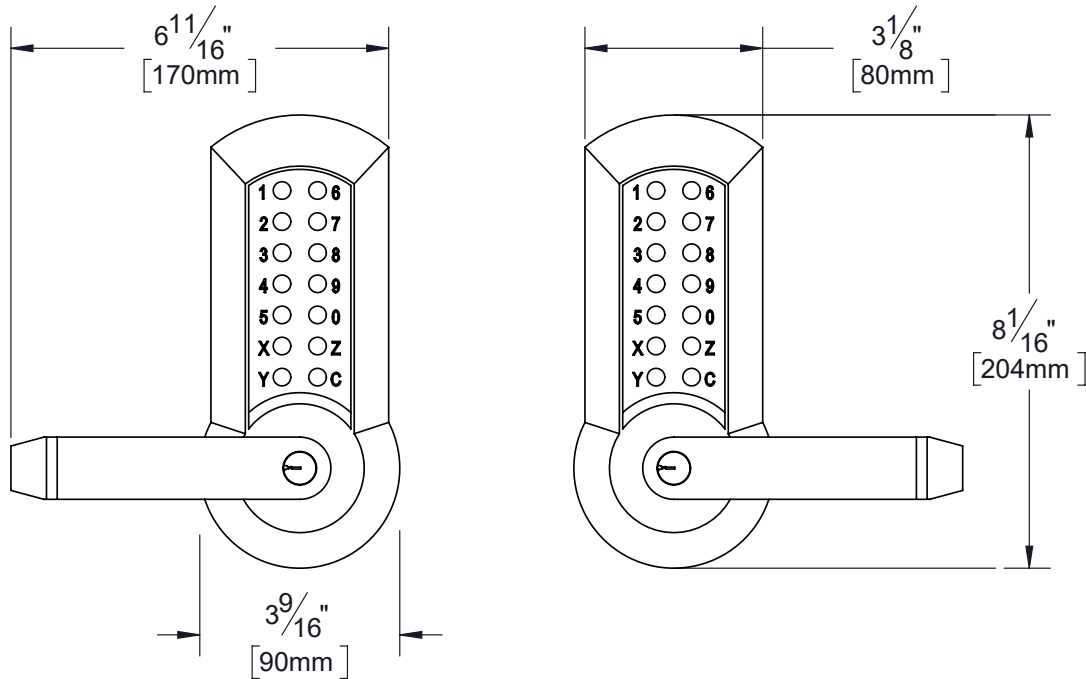


PRODUCT DATA SHEET

Product Description: Keyless mechanical double sided door lever set for use with residential and commercial doors. No batteries or low voltage power required. Code change without removing lock from door. Provides code access in both directions. Auto-locking with passage function available. Fits standard residential and commercial door preparation with 2 1/8" cross bore, 2 3/4" or 2 3/8" backset. 2 3/4" latch included, 2 3/8" latch sold separately (#MPBCL60MM). Most applications require four 3/8" through bolt holes to be drilled; template included. Two back up Schlage SC4 keys included. ADA compliant. Ships with mounting hardware.



New Door Prep: 2 1/8" Cross Bore, 1" Edge Bore, 4 of 3/8" Through Bolt Holes

Latch Face: 1 3/16" x 2 1/4" Square

Backset: Ships With 2 3/4" Backset Latch, 2 3/8" Backset Latch Sold Separately (Product # MPBCL60MM)

Door Thickness: Fits Doors 1 3/8" to 2 1/4" Thick

Overall Size: Keypad: 6 11/16 W X 8 1/16" H X 3 3/8" D
Back Plate: 6 1/2" W X 8 1/6" H X 3 3/8" D

Material: Die Cast Zinc Body, Stainless Steel Push Buttons and Latch Bolt

Finish: US26D Satin Chrome

Cross Reference

Manufacturer	Part Number
Cal Royal	203



Description:

Mechanical Keyless Double Sided Door Lever Set

Part Number:

MKDL26D

Date

12/20

Rev.

00

Sheet 1 of 1