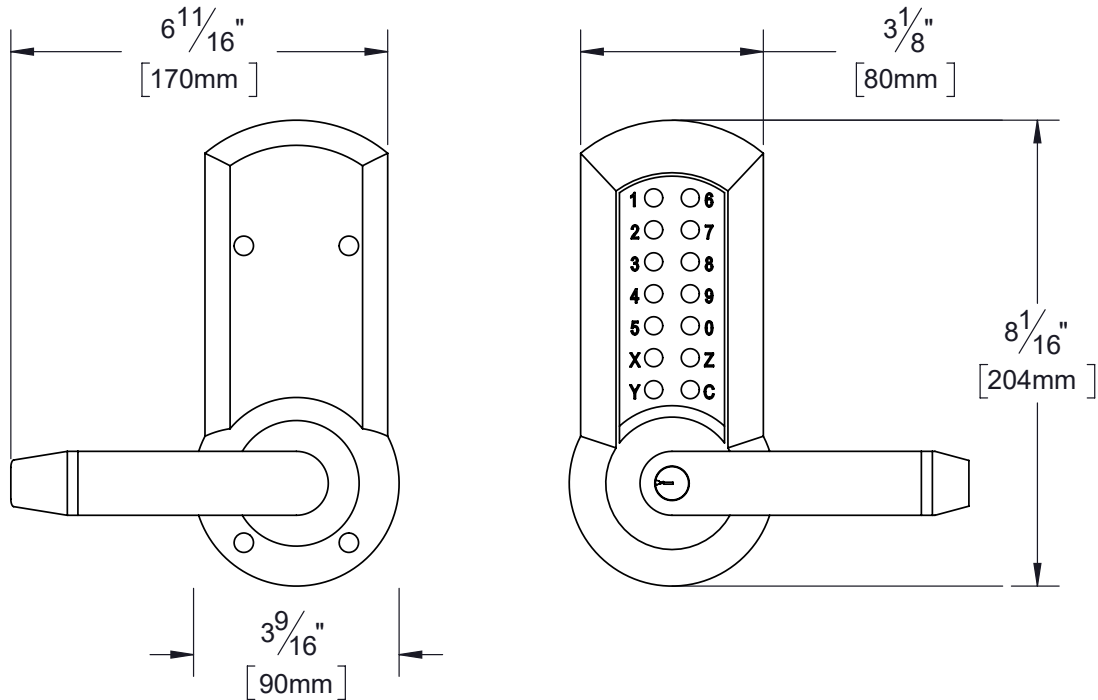


PRODUCT DATA SHEET

Product Description: Keyless mechanical single sided door lever set for use with residential and commercial doors. No batteries or low voltage power required. Code change without removing lock from door. Auto-locking with passage function available. Fits standard residential and commercial door preparation with 2 1/8" cross bore, 2 3/4" or 2 3/8" backset. 2 3/4" latch included, 2 3/8" latch sold separately (#MPBCL60MM). Most applications require four 3/8" through bolt holes to be drilled; template included. Two back up Schlage SC4 keys included. ADA compliant. Ships with mounting hardware.



New Door Prep: 2 1/8" Cross Bore, 1" Edge Bore, 4 of 3/8" Through Bolt Holes
Latch Face: 1 3/16" x 2 1/4" Square
Backset: Ships With 2 3/4" Backset Latch, 2 3/8" Backset Latch Sold Separately (Product # MPBCL60MM)
Door Thickness: Fits Doors 1 3/8" to 2 1/4" Thick

Overall Size: Keypad: 6 11/16 W X 8 1/16" H X 3 3/8" D
 Back Plate: 6 1/2" W X 8 1/6" H X 2 29/32" D

Material: Die Cast Zinc Body, Stainless Steel Push Buttons and Latch Bolt

Finish: US26D Satin Chrome

Cross Reference

Manufacturer	Part Number
Cal Royal	202



Description:

Mechanical Keyless Single Sided Door Lever Set

Part Number:

MKSL26D

Date

12/20

Rev.

00

Sheet 1 of 1