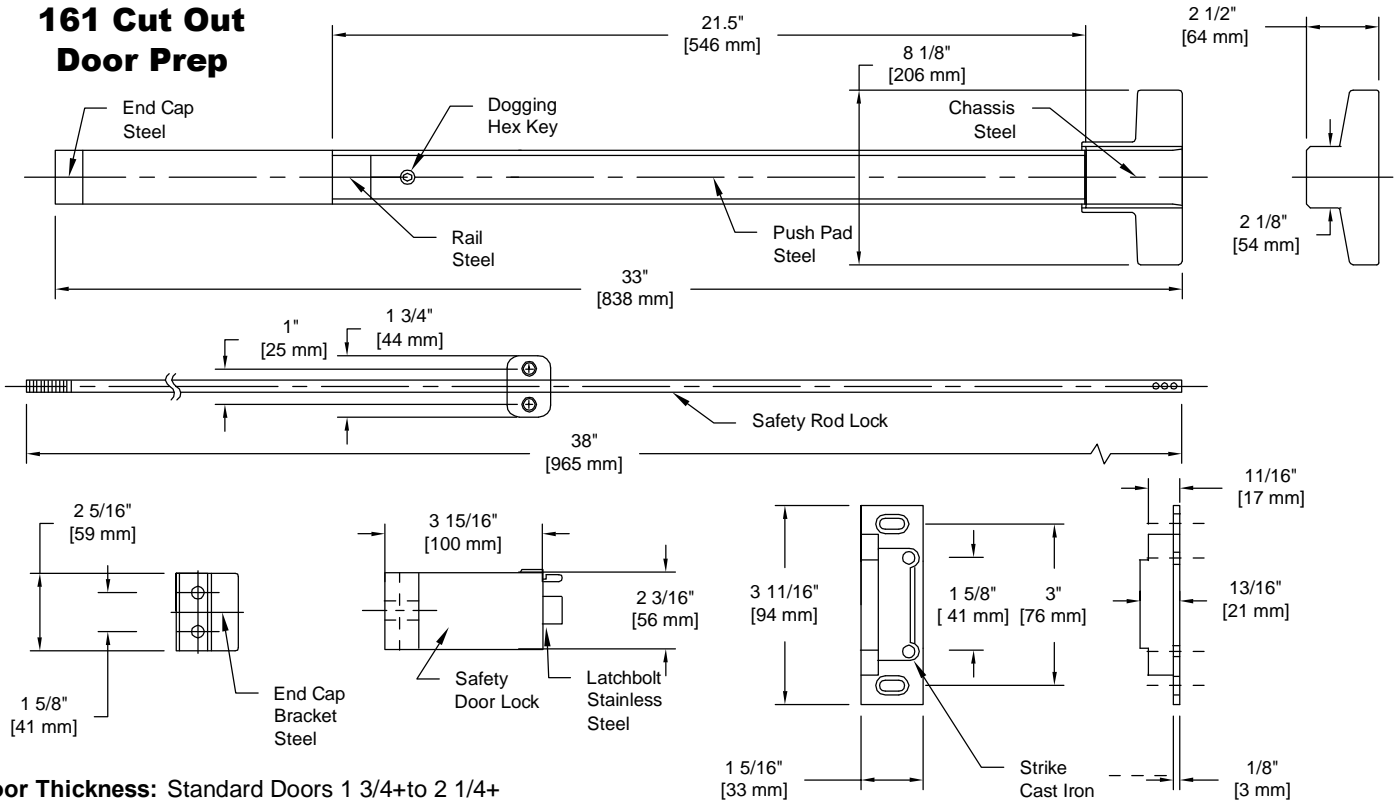


# PRODUCT DATA SHEET

**Product Description:** Surface vertical rod exit device, for 28" to 42" wide doors. UL panic rated, ANSI A156.3 Grade 1. Non handed. Rail and push pad are fabricated from heavy gauge steel with a powder coated aluminum finish. Trim available in the following functions: classroom, storeroom, passage and dummy. Device and trim for 161 standard cut out. Mounting hardware and 239 strike included. ADA compliant.

## Designed For 161 Cut Out Door Prep



**Door Thickness:** Standard Doors 1 3/4" to 2 1/4"

**Latch Bolt:** Stainless Steel 3/4" Throw

**Strike:** 239 Standard

**ANSI/BHMA:** Exit Device: A156.3 Grade 1



**Overall Size:** 33" W X 8 1/8" H X 2 1/2" D

**Material:** Steel, Cast Iron, Stainless Steel

**Finish:** Powder Coated Aluminum

### Cross Reference

Manufacturer	Part Number
CAL-ROYAL	F2260



Description:

**Surface Vertical Rod Exit Device, Panic Rated, 32", ANSI Grade 1**

Part Number:

**PE55003684VPP**

Date

09/16

Rev.

04

Sheet 1 of 1