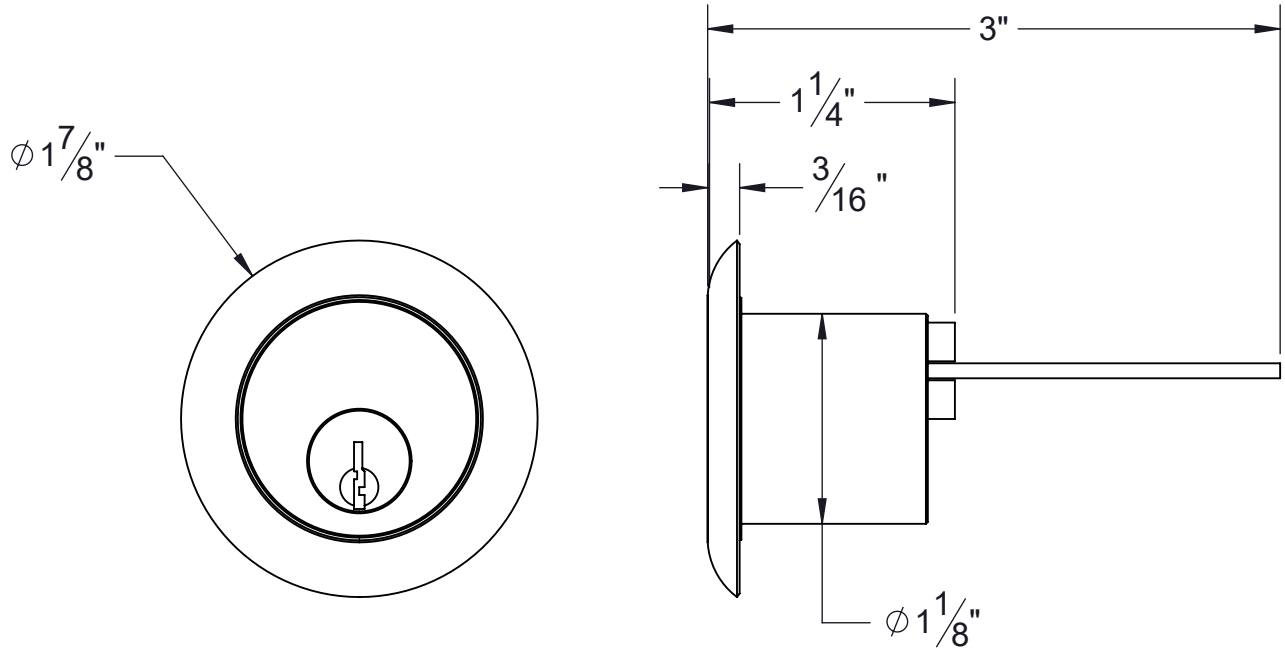


PRODUCT DATA SHEET

Product Description: Rim lock cylinder, narrow stile & cross bar panic exit device. Aluminum finish. Unlatch door from exterior with key. Key removable only when locked. Fits both narrow stile & cross bar exit devices. Ships with mounting hardware.



Door Thickness: Standard Doors 1 3/4" - 2 1/2"
Cylinder: Solid Brass 5-Pin Schlage "SC 1 Keyway"



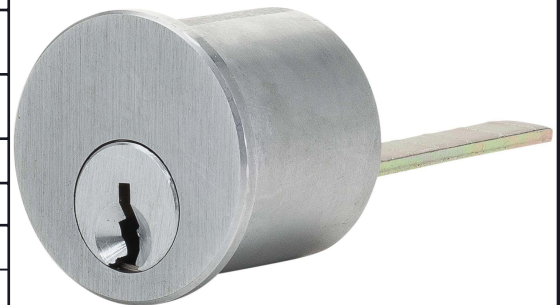
Overall Size: 1 7/8" x 1 7/8" x 3"

Material: Solid Brass

Finish: Aluminum

Cross Reference

Manufacturer	Part Number
CRL Jackson	DC7015SC



Description:

**Lock Cylinder, Narrow Stile
 And Cross Bar Panic Exit
 Device, Solid Brass**

Part Number:

PENCYSC1

Date

Rev.