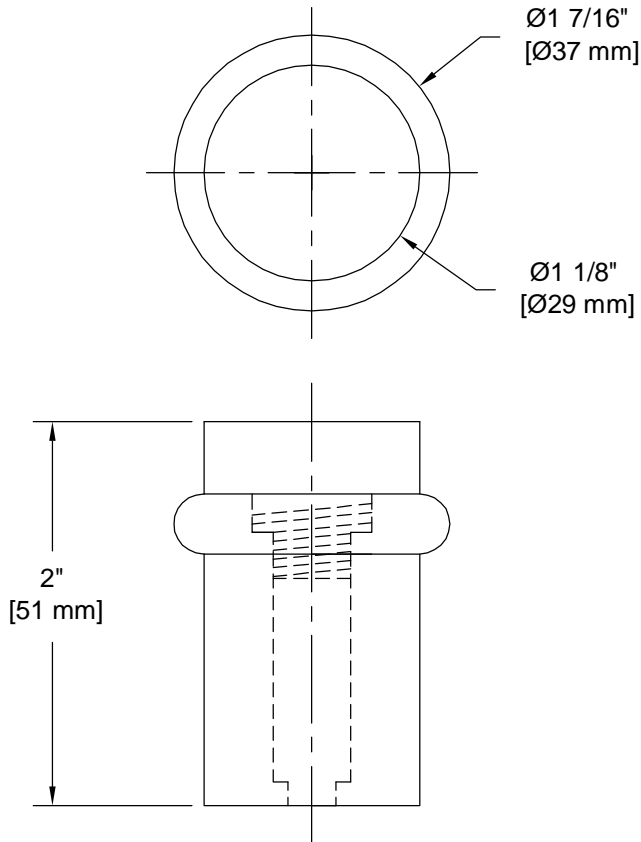


PRODUCT DATA SHEET

Product Description: Door bumper, universal, 2" high. Fabricated from zinc with a US26 Chrome finish. Single mounting screw included.



Overall Size: 1 3/8" W X 2" H X 1 3/8" D

Material: Zinc

Finish: US26 Chrome

Cross Reference

| Manufacturer | Part Number |
|--------------|-------------|
| | |
| | |
| | |



Description:

**Door Bumper, Zinc,
Universal, 2" High**

Part Number:

UFB5000U26

Date

09/19

Rev.

02

Sheet 1 of 1