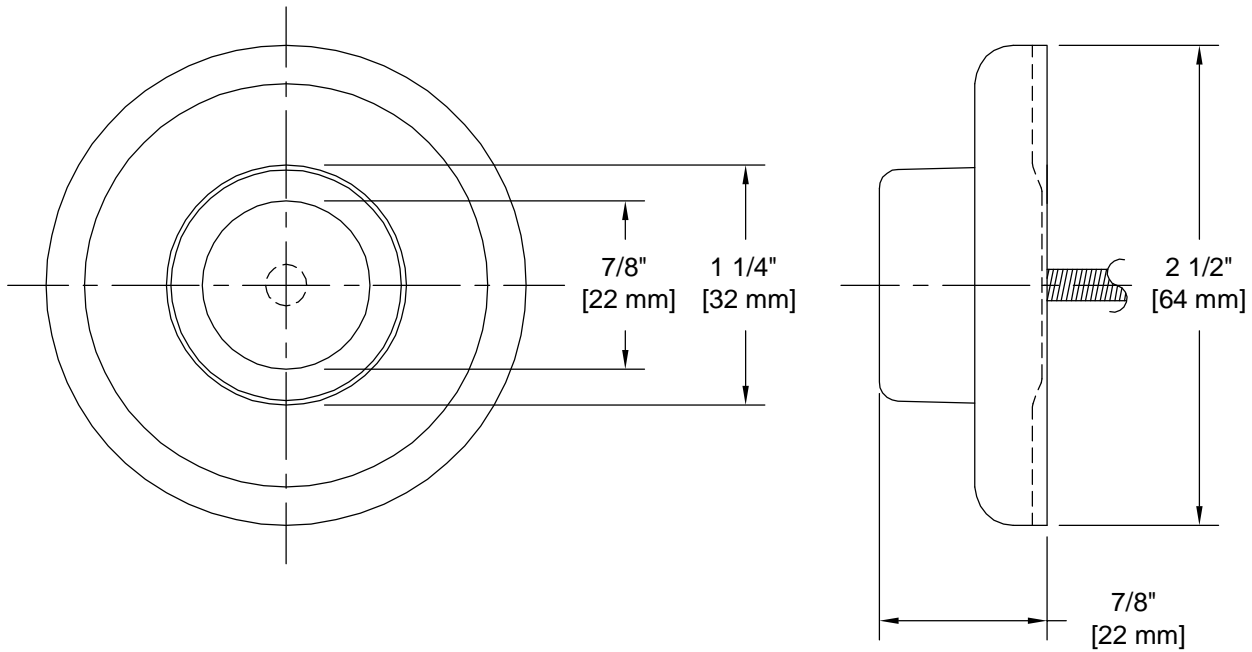


PRODUCT DATA SHEET

Product Description: Door bumper, concave, 2 1/2" diameter. Fabricated from solid brass with a US15 satin nickel finish. Single mounting screw included.



Overall Size: 2 1/2" W X 2 1/2" H X 7/8" D

Material: Brass

Finish: US15 Satin Nickel

Cross Reference

Manufacturer	Part Number



Description:

**Door Bumper, Concave,
2 1/2" Diameter**

Part Number:

WB250U15

Date

09/16

Rev.

04

Sheet 1 of 1