

# Big Button Corded Phone

## Model # FC-1031 Future Call

### Instruction Manual



**EASY TO  
READ BIG  
BUTTONS**

**10 ONE OR  
TWO  
TOUCH  
MEMORY**

**ADJUSTABLE  
VOLUMES**

**DESK/WALL  
MOUNTABLE**

**HANDS FREE  
SPEAKERPHONE**

## FEATURE LIST:

- Two way Hands-free Speakerphone with Volume Control
- Handset Volume Switch MED-Hi-VHI
- Ringer Volume Switch Off-Lo-Hi
- Store On/Off Switch for memory Protection
- Normal/One Touch Switch
- Red 911 Key Preprogramed at Factory
- 10- One or Two Touch Speed Dial Memories, Backed Up for life
- No Batteries or AC adaptors memories are backed up for life
- Last Number Redial / Pause Key
- In Use Indicator and Ringer Indicator
- Flash Key
- Desktop / Wall Mounting

## INSTALLATION

1. Connect the handset with the jack on the left side of the phone base and the bottom of the handset by using the coiled cord.
2. Connect the jack on the back of the phone base with your wall jack by using the straight phone line cord.

Please pick up the handset and you will hear the dial tone that means the phone is ready for use.

**Please Note:** This phone is powered by the telephone line only.

It will work after you complete the 2 steps 2 above. No need for any batteries or AC adaptor. It still works when there is a power outage.

## Buttons/connections

1. MEMORY key

2. 911 Key

3. STORE key

4. FLASH key

5. SP-PHONE key

6. REDIAL/PAUSE key

7. Ringer / in-use LED

8. Numeric keypad

9. Curly cord connection (RJ9)

10. Line connection (RJ11)

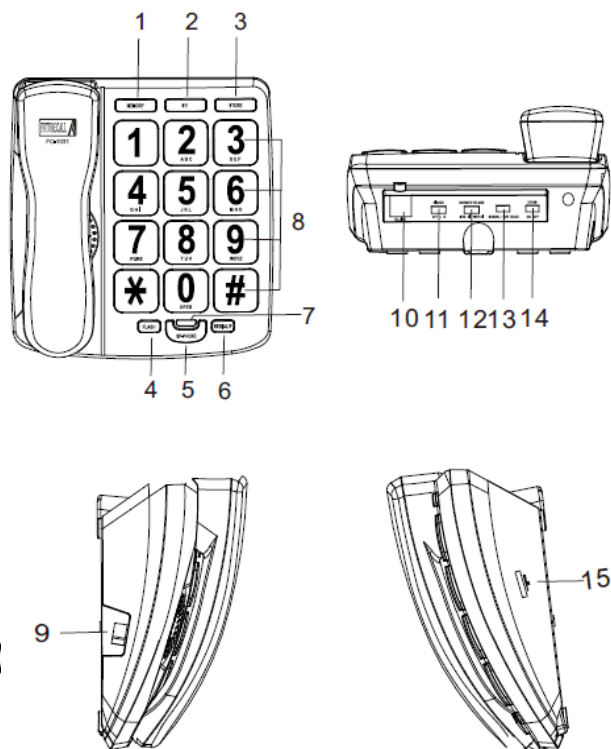
11. Ringer volume switch

12. Handset volume switch

13. Normal/One-touch switch

14. Store ON/OFF switch

15. 2 way Hands-free slide volume Control



## **OPERATION**

### **RINGER VOLUME OFF/LO/HI SWITCH**

To control the volume of the ringer by switching the RINGER switch on the back of the phone base. The ringer can be turned off - Lo- Hi

### **SP-PHONE VOLUME ADJUSTABLE**

To control the volume of the hands free speakerphone by sliding the VOL slide control on the right side of the phone base.

### **RECEIVER VOLUME MED/HI/VHI SWITCH**

To control the volume of the handset on the back of the phone base.

### **STORE ON/OFF SWITCH**

To control ON/OFF of the store function by the STORE switch on the back of the phone base. This switch is to prevent accidental programing of the memories.

### **NORMAL/ONE TOUCH SWITCH**

To select between NORMAL or ONE TOUCH memory dialing.

### **RINGER INDICATOR**

LED will flash on an incoming call.

## **IN USE INDICATOR**

Led will light up when the phone is in use.

## **RECEIVING A CALL**

1. Pick up the handset or press “SP-PHONE” key when the phone rings.
2. When you finish the phone call, put the handset back on the phone base or press “SP-PHONE” key again.

## **MAKING A CALL**

1. Pick up the handset or press “SP-PHONE” key to hear a dialing tone.
2. Dial the number you want to call.
3. Hang up the handset or press “SP-PHONE” key again when you have finished the conversation.

## **LAST NUMBER REDIAL FUNCTION**

Pick up the handset or press the “SP-PHONE” key, then press “REDIAL/P” key when you hear the dialing tone, the last phone number will be dialed out automatically.

## **FLASH FUNCTION**

-Press and release FLASH key to get a new line if you make a mistake  
Press and release FLASH key to answer an incoming call waiting call

## **TO STORE PHONE NUMBERS FOR SPEED DIAL**

**NOTE:** When programming do this as fast as you can.

1. Put the Store On/Off Switch to the "ON" position to program.
2. Put the Normal/One touch switch to NORMAL position to program.
3. Pick up the handset, press the STORE key and then enter the phone number you wish to store.
4. Press the STORE key again and then press one of (0-9) keys for number location. (Where you want to store that number)
5. Replace the handset.

When you have finished the above steps, this phone number will have been stored.

## **TO SPEED DIAL FROM STORED NUMBER(NORMAL POSITION)**

1. Pick up handset (or press SP-PHONE key)
2. Press MEMORY and press the correct memory location (0-9)

Then the telephone number will be dialed out automatically.

## **TO SPEED DIAL FROM STORED NUMBER(ONE TOUCH POSITION)**

1. Pick up handset (or press SP-PHONE key)
2. Press one of (0-9) keys,

The telephone number will be dialed out automatically.

## **WALL MOUNTABLE**

When use it as wall-mounted, put the handset aside, slide the adjustable hook upwards to remove it from the slot. Rotate the adjustable hook by 180 degrees, then replace the adjustable hook into the slot until it locks into position. The handset will now stay on the phone base.



Install the bracket on the bottom of the phone.



**NOTICE** : If your home has specially wired alarm equipment connected to the telephone line, ensure the installation of this equipment FC-1031 / HT-916 does not disable your alarm equipment. If you have questions about what will disable alarm equipment, consult your telephone company or a qualified installer.

**WARNING** : Changes or modifications to this unit not expressly approved by the party responsible for compliance could void the user's authority to operate the equipment.

#### **SERVICE**

According to FCC regulation. This equipment which has been certified and registered by the FCC, may only be repaired by authorized person, the FCC certification may be voided. Should you encounter any problems, please call the FUTURE CALL LLC.

Toll-free Customer Hotline for assistance:

**1-888-934-CALL, Monday - Friday between the hours of 9:00 am - 6:00 pm PST**

For general inquires, you can E-Mail to [help@future-call.com](mailto:help@future-call.com) or visit our website at [www.future-call.com](http://www.future-call.com)

#### **FOR WARRANTY AND OUT-OF WARRANTY SERVICE:**

You may call our toll-free hot line on 1-888-934-CALL (1-888-934-2255) 9AM-6PM PST or E-mail to [help@future-call.com](mailto:help@future-call.com)

## **QUESTIONS?**

**STOP...doesn't take unit back to the store.**

**LOOK...for the toll-free "help" telephone number.**

**LISTEN... as our experts talk you through the problem.**

For immediate answers to your questions regarding operation, missing parts or installation call:

**FUTURE CALL LLC**

**HOTLINE & E-MAIL AT:**

**1-888-934-CALL & [help@future-call.com](mailto:help@future-call.com)**

#### **LIMITED WARRANTY AND SERVICE**

FUTURE CALL LLC. Warrants this product to be free from defective materials or factory workmanship and will replace or repair this unit or any part thereof, except batteries, if it proves to be defective in normal use or service within 90 days from date of original purchase. Our obligation under this warranty is the repair or replacement of the defective instrument or any part thereof, except batteries. This warranty will be considered void if unit is tampered with, improperly serviced, or subjected to misuse, negligence or accidental damage. There are no other express warranties other than those stated herein.

This warranty gives you specific legal rights, and you may also have other rights which varies from state to state. TO OBTAIN SERVICE PLEASE E-MAIL US ON [help@future-call.com](mailto:help@future-call.com) OR CALL US TOLL FREE 1-888-934-CALL 9AM-6PM PST (1-888-934-2255). IF THE UNIT IS UNDER WARRANTY PROOF OF PURCHASE MUST BE PROVEN.