

Thank you for your purchase of QDRY™ Dryer & Freshener. Please read this user's guide carefully before use and keep it for future reference.

Important Safety Instruction

WARNING: When using electric devices, basic precautions should always be followed, including the following:

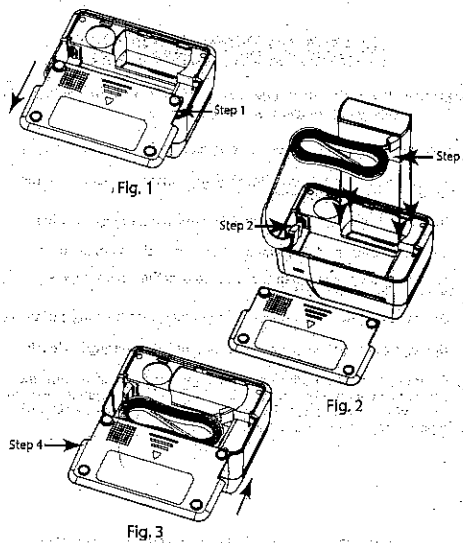
1. Read all the instructions before using the device.
2. To reduce the risk of injury, close supervision is necessary when the device is used near children.
3. Do not look directly at the UV light located in the drying chamber.
4. Only use accessories recommended or sold by the manufacturer.
5. To disconnect power, open the cover to turn the device off, then remove plug from outlet.
6. Do not unplug by pulling on cord. To unplug, grasp the plug, not the cord.
7. Unplug from outlet when not in use and before servicing or cleaning.
8. Do not operate the device with a damaged cord or plug, or after the device malfunctions or is dropped or damaged in any manner. Return the device to the nearest authorized service facility for examination, repair, electrical or mechanical adjustment.

Silver-zinc and lithium-ion rechargeable hearing aid chargers are sold separately. QDRY is a trademark of Serene Group, Inc. Serene Group, Inc. dba Serene Innovations is not affiliated with the manufacturers of silver-zinc or lithium-ion chargers.

ENGLISH

Installation

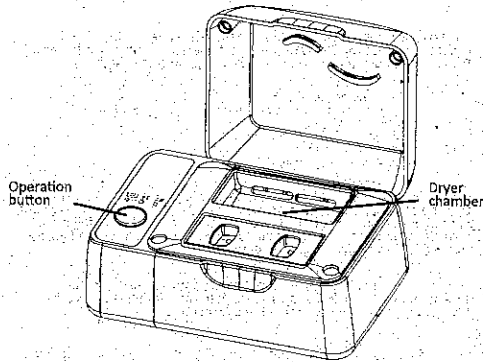
1. Slide open the bottom cover as shown in Fig. 1, Step 1.
2. Plug the silver-zinc hearing aid charger's USB cord into the QDRY™ USB connection as shown in Fig. 2, Step 2.
3. Insert the silver-zinc hearing aid charger unit into QDRY™ cavity, then coil the cord and place in QDRY™ unit as shown in Fig. 2, Step 3.
4. Replace bottom cover of the QDRY™ unit as shown in Fig. 3, Step 4.



Operation

1. Plug the QDRY™ AC adapter into the unit and wall outlet. The QDRY™ charger LEDs will blink indicating the unit is powered up and ready for operation. (Note that you do not need the charger AC adapter anymore save it as a spare).
 2. Place the hearing aid into the charger with the earpiece resting on the dryer chamber. The charger indicators should be glowing slowly indicating automatic charging is in progress. Once charging is in progress close the QDRY™ cover. (Note that the charger always works independent of QDRY™ and will automatically stop when charging is finished).
 3. To start the drying operation, ensure that the cover is closed and repeatedly press the Operation Button to select drying mode (i.e. time). Pressing the button repeatedly will cycle the mode through:
 - "Turbo" = 30 minutes of quick drying
 - "2HR" = 2 hours of drying time with periodic fan running while heating.
 - "4HR" = 4 hours of drying time with periodic fan running while heating.
 4. Once a mode is selected, the LED indicator will glow steadily indicating that the drying operation is in progress. Pressing the button during drying operation will not change the drying mode. To change the drying mode, turn off the unit by pressing the operation button for 1.5 sec. and follow step 3 above to select new drying time.
 5. QDRY™ has a smart-button feature that remembers the drying time setting that was used last and will default to that setting and start the drying operation when you press the button once.
- Note: UV light only stays on during the first 3 minutes of each drying mode*
6. Drying mode LED Indicator goes off and the unit shuts down when drying operation is done. Press button for 1.5 sec. to shut down the unit during operation.
 7. When done, remove hearing aids and wipe off any dried wax. To clean QDRY™, wipe the heating chamber clean with a damp cloth.

Caution: Do not look directly at the UV light tube on the edge of the drying chamber



QDRY™ Specifications @ 25°C ambient:

1	Dryer Chamber temp. (at 5mm above center)	46° C typical (Turbo) 43° C typical (2 Hr/ 4Hr)
2	Hearing aid charger temperature	30° C maximum
3	UV-C light on-time	8 minutes
4	Drying Cycle timer	0.5 hrs (Turbo), 2hr, 4hr
5	Switching AC adapter Input	100 to 240 VAC, 50/60 Hz
6	Switching AC adapter output	5 VDC, 2A
7	Operating temp.	10°C to 35°C
8	Storage temp.	0°C to 50°C
9	Size	125mm (W) x 79mm (D) x 75mm (H)
10	Weight	190g

Warranty Service Information

QDRY™ comes with a one-year limited warranty. During this warranty period, from the date of purchase by the original consumer, Serene Innovations warrant QDRY™ to be free from defects in materials and workmanship under intended home use. If QDRY™ fails to function properly due to defects in materials or workmanship, within two years of original purchase, return the unit (freight prepaid) with proof of purchase (sales receipt or packing slip, no exceptions) to Serene Innovations. Serene Innovations will either repair or replace the unit (with a refurbished unit or a unit of equal condition) and return it to you (using UPS/USPS ground shipping) at no cost to you (there will be a nominal additional shipping charge if it is shipped to outside the 48 Continental U.S. States).

This Warranty gives you specific legal rights, and you may also have other legal rights that vary from state to state.