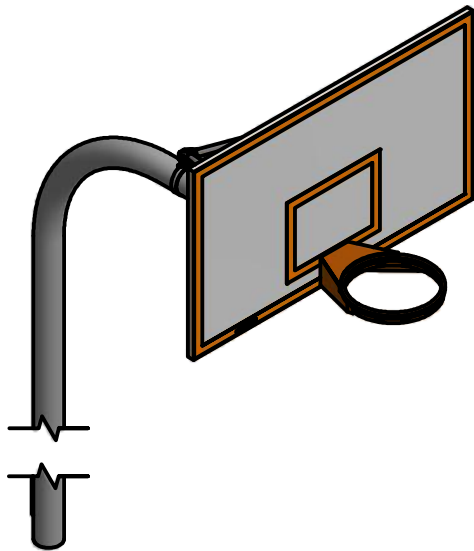
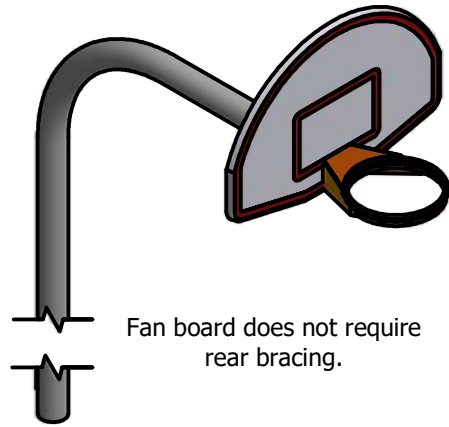
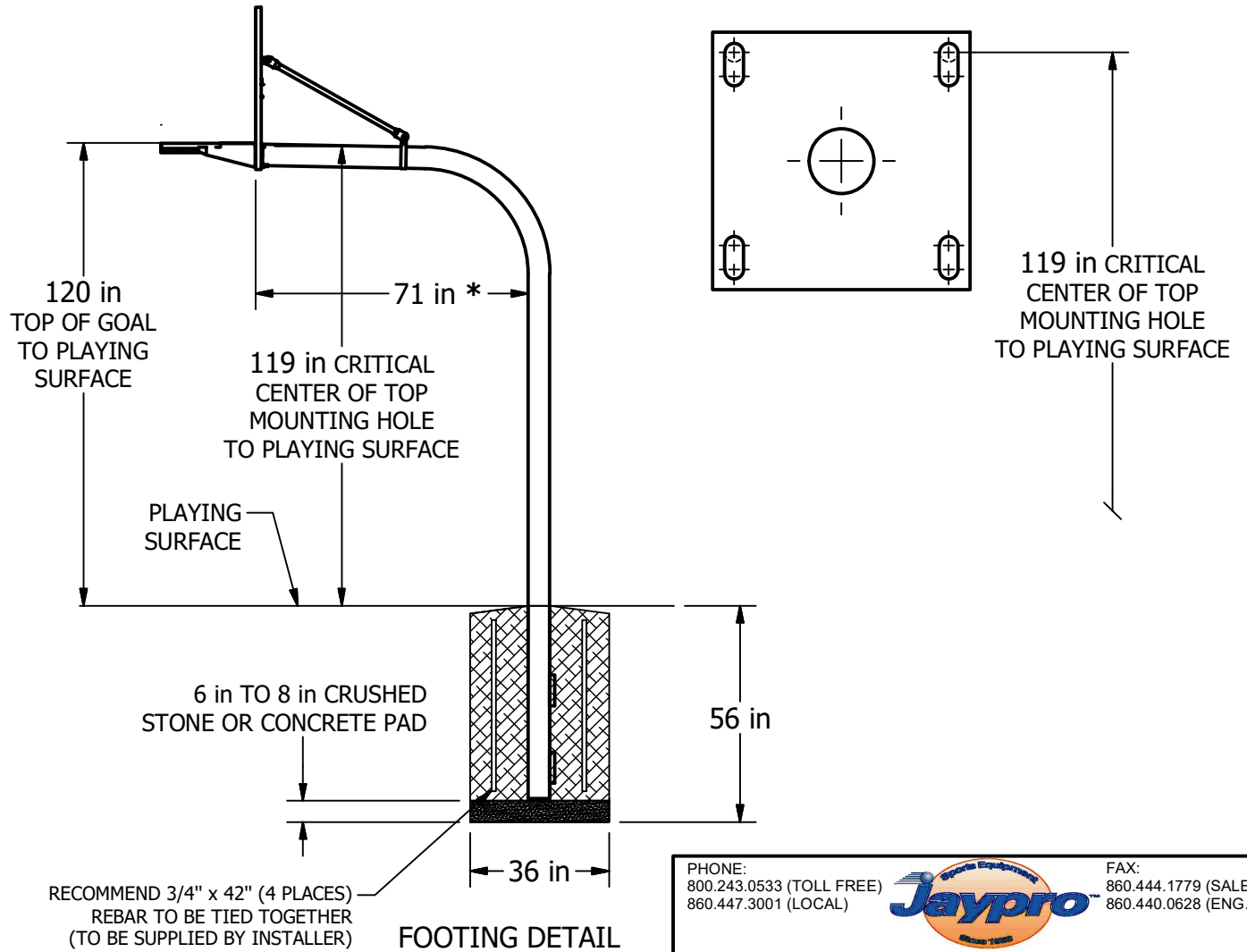


# MODEL 656


## 5 9/16 in ROUND POST 6 FOOT EXTENSION, GOOSENECK



\*Actual dimension may vary depending on choice of backboard used.



REV	DESCRIPTION	DATE	BY
D	REMOVED D2	8/17/2017	MT
C	BR45 WAS BRC30	6/10/2010	DRL
B	REVISED FOOTING	3/17/2010	DRL

PHONE: 800.243.0533 (TOLL FREE) 860.447.3001 (LOCAL)				FAX: 860.444.1779 (SALES) 860.440.0628 (ENG.)	
JAYPRO SPORTS, LLC, 976 HARTFORD TURNPIKE, WATERFORD, CT 06385 USA <a href="http://www.jaypro.com">www.jaypro.com</a>					
DESCRIPTION <b>656 INSTALLATION INSTRUCTIONS</b>					
PART NUMBER <b>656 INSTALL</b>			DWN BY DONL		CHKD BY WVB
SIZE <b>A</b>	SCALE N/A	DATE 2/16/2010	REV <b>D</b>	SHEET <b>1 OF 4</b>	
THIS DRAWING IS THE SOLE PROPERTY OF JAYPRO SPORTS INC. AND MAY NOT BE REPRODUCED WITHOUT WRITTEN PERMISSION OR CONSENT					

# MODEL 656

## 5 9/16 in ROUND POST 6 FOOT EXTENSION, DIRECT MOUNT

### BEFORE YOU START

- A) UNPACK ALL PARTS AND CHECK AGAINST PARTS LIST TO ENSURE THAT ALL PARTS HAVE BEEN INCLUDED  
B) INSPECT FOR DAMAGE. REPORT ALL DAMAGES TO TRUCKING COMPANY.

ITEM	QTY	PART #	DESCRIPTION	ITEM	QTY	PART #	DESCRIPTION
1	1	656U	UPRIGHT 5 9/16 in OD	8	2	HB5031	3/8-16 x 1 1/2 in CARRIAGE BOLT
2	1	VARIOUS	BACKBOARD	9	2	HS287	3/8"-16 x 1 1/4" HX HD CAP SCREW
3	1	VARIOUS	GOALS	10	2	HS288	3/8"-16 x 1 1/2" HEX HD CAP SCREW ZP
4	1	BRC5916	5 9/16 in OD BAND CLAMP	11	6	HW2050	3/8 in FLAT WASHER
5	2	SR5370	ANGLE BRACKET	12	6	HW334	3/8" MEDIUM SPLIT LOCK WASHER, ZP
6	2	BR45	SUPPORT BRACE	13	6	HN264	3/8"-16 HEX NUT, ZP
7	2	SR5368	TAB PERF BOARD	14	2	HN5040	3/8-16 TEE NUT

### UPRIGHT INSTALLATION

- 1) CHECK LOCAL BUILDING CODES BEFORE STARTING THE FOOTING, AS BUILDING CODES MAY VARY. LOCAL BUILDING CODES SHOULD BE ADHEARED TO IF REQUIREMENTS ARE GREATER THAN THOSE OUTLINED HERE.
- 2) DIG HOLE 36 INCHES SQUARE OR ROUND TO A DEPTH ON 56 INCHES, CREATE A 6" TO 8" FOOTING WITH CRUSHED STONE, CONCRETE BLOCK OR POURED CONCRETE.
- 3) POSITION AND SQUARE THE UPRIGHT ONTO THE FOOTING BASE. POUR THE REMAINDER OF THE FOOTING. ALLOW THE CONCRETE TO FULLY CURE, PER THE MANUFACTURER'S INSTRUCTIONS, BEFORE ATTACHING BACKBOARD AND GOAL. **NOTE THE TOP HOLE OF THE BACKBOARD MOUNTING PLATE SHOULD BE 119 INCHES OFF THE PLAYING SURFACE.**

### FINAL ASSEMBLY

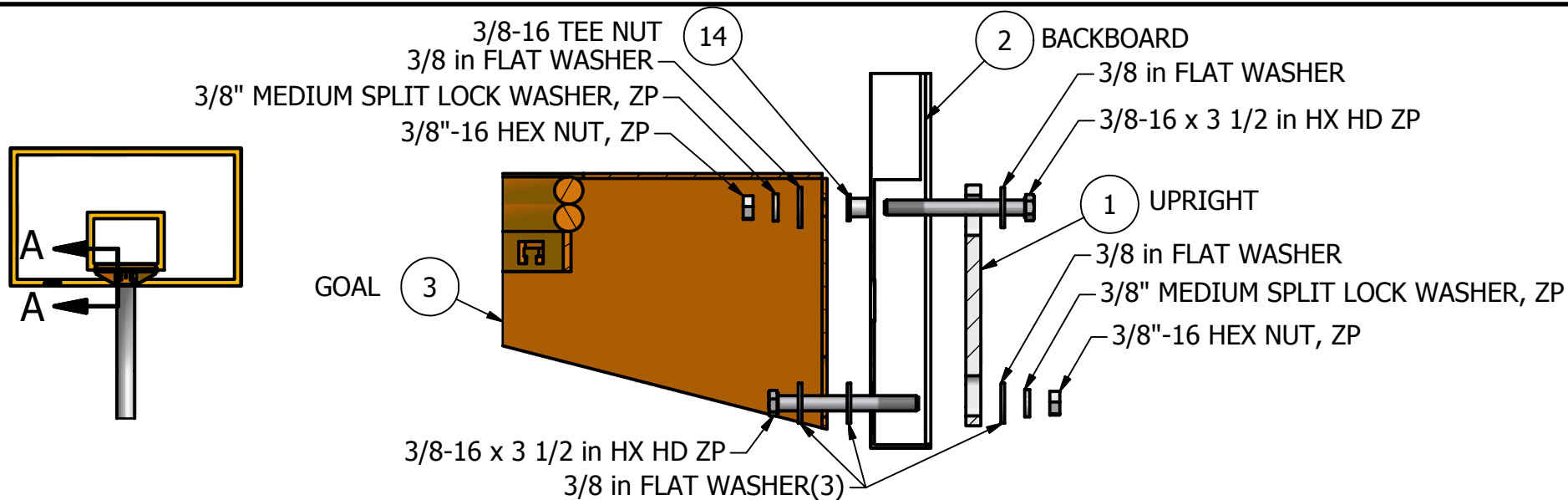
- 4) ATTACH THE APPROPRIATE BRACE MOUNTING BRACKET TO THE BACK OF THE BACKBOARD, AS SHOWN IN DETAIL **D**. THE BRACKET WILL DEPEND ON THE BACKBOARD ORDERED. THE BRACKETS WILL EITHER BE INCLUDED WITH THE BACKBOARD OR FOUND IN THE GENERAL KIT. THE SPACING BETWEEN THE RIGHT ANGLE BRACKETS OF THE RECTANGULAR STEEL BACKBOARD IS APPROXIMATELY 36 INCHES. (FAN BOARDS DO NOT REQUIRE REAR BRACING)
- 5) LIFT AND ATTACH THE BACKBOARD TO THE MOUNTING PLATE USING ONLY THE TOP TWO FASTENERS AND TEE NUTS SHOWN IN SECTION **A-A**. WHEN THE BACKBOARD IS INSTALLED THE TEE NUTS SHOULD BE UP AGAINST THE BACKBOARD AS SHOWN IN SEE DETAIL **B**. THE USE OF THE TEE NUTS ALLOW FOR EASY REPLACEMENT OF THE GOAL. ( IF INSTALLING A FAN BOARD SKIP AHEAD TO STEP 9)
- 6)INSTALL THE BAND CLAMP TO THE UPRIGHT PIPE BY FIRST SPREADING THE BAND CLAMP OPEN ONLY ENOUGH TO GET IT ONTO THE UPRIGHT. SEE DETAIL **F**
- 7) WITH THE HELP OF A C-CLAMP CLOSE THE BAND CLAMP BACK DOWN AND HOLD CLOSED BY INSTALLING ONLY THE LOWER BOLT AND NUT FASTENERS. THE BAND CLAMP NEEDS TO BE APPROXIMATELY 19 INCHES FROM THE BACK SIDE OF THE BACKBOARD
- 8) INSTALL THE 1 5/16 DIA SUPPORT BRACES TO THE BACKBOARD AND BAND CLAMP AS SHOWN IN DETAILS **E** AND **F**. PLUMB AND LEVEL THE BACKBOARD BEFORE TIGHTENING THE HARDWARE.
- 9) FINALLY ATTACH THE GOAL WITH THE REMAINING HARDWARE SHOWN IN SECTION **A-A**, MAKE CERTAIN THAT A WASHER IS PLACED BETWEEN THE BOARD AND THE GOAL IN THE LOWER TWO HOLES IN ORDER TO KEEP THE GOAL PERPENDICULAR WITH THE BACKBOARD. NOTE THE ORIENTATION OF THE LOWER TWO BOLTS. FOR ADDED SAFETY, THE EXPOSED THREADS AND NUTS SHOULD BE PLACED ON THE BACKSIDE OF THE BACKBOARD, AS SHOWN IN SECTION **A-A** AND DETAIL **C**.

### TOOLS REQUIRED:

9/16 in Socket Wrench and Combination Wrench  
OPTIONAL 4 inch C CLAMP

### IMPORTANT NOTICE:

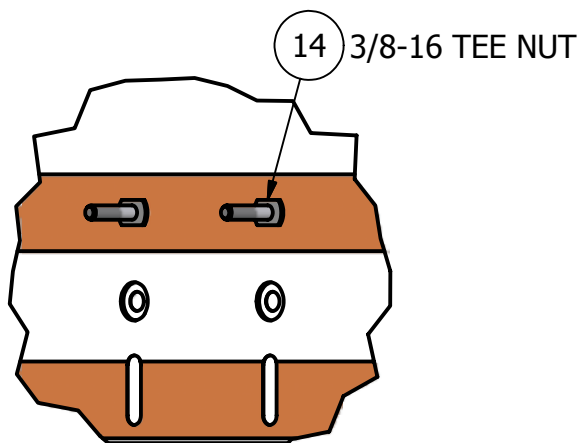
- 1)EQUIPMENT SHOULD BE CHECKED REGULARLY FOR PROPER CONNECTING HARDWARE AND STRUCTURAL INTEGRITY. REPLACE ANY DAMAGED OR MISSING HARDWARE IMMEDIATELY
- 2) USE OF THIS EQUIPMENT OTHER THAN INTENDED, MAY BE HAZARDOUS.
- 3) ALTERATION OR MODIFICATION OF THIS EQUIPMENT MAY BE HAZARDOUS AND RESULT IN INJURY. FOR REPAIR OR REPLACEMENT, CONTACT JAYPRO SPORTS



**SECTION A-A**

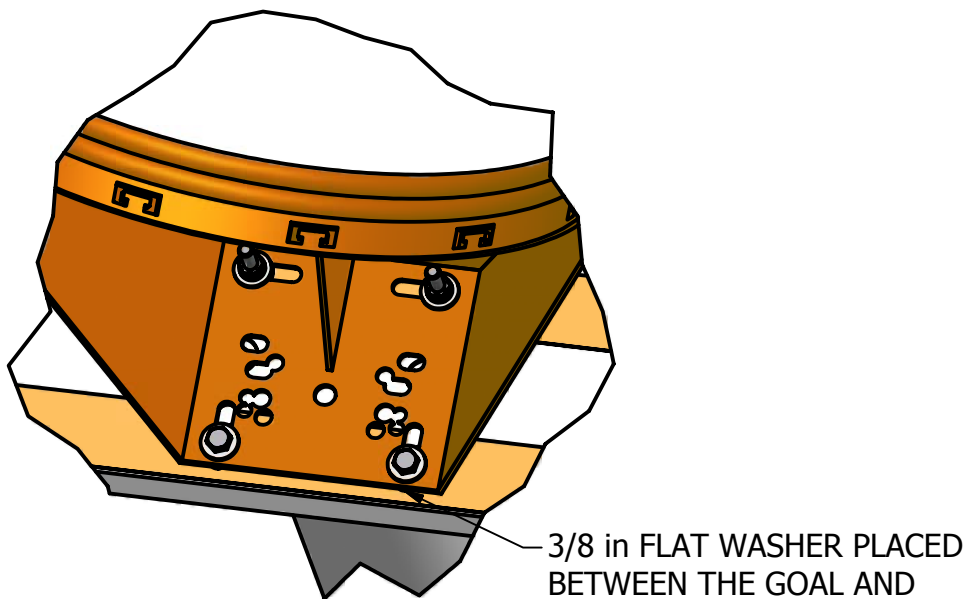
**BACKBOARD MOUNTING**

ALL HARDWARE IN THIS DETAIL EXCEPT FOR THE TEE NUTS IS SUPPLIED WITH THE GOAL



**DETAIL B**

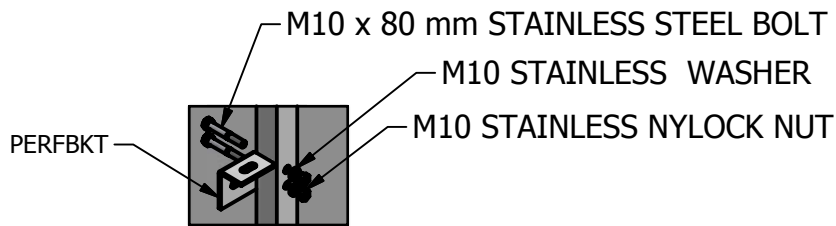
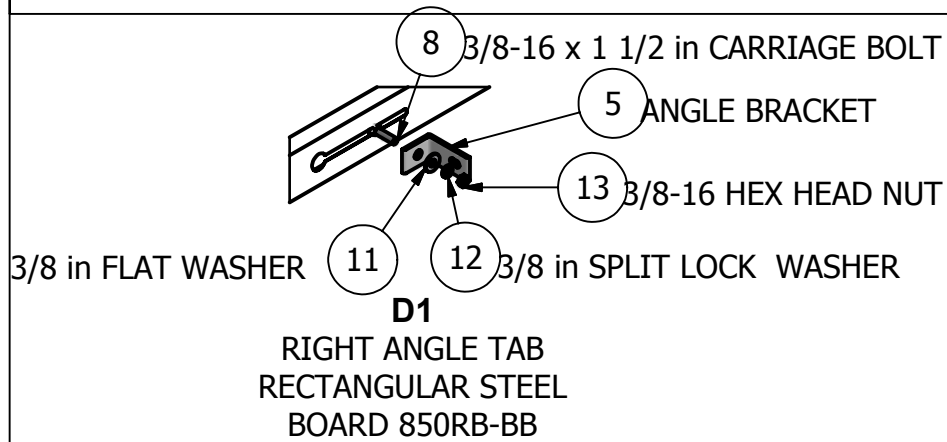
BACKBOARD TEE NUTS



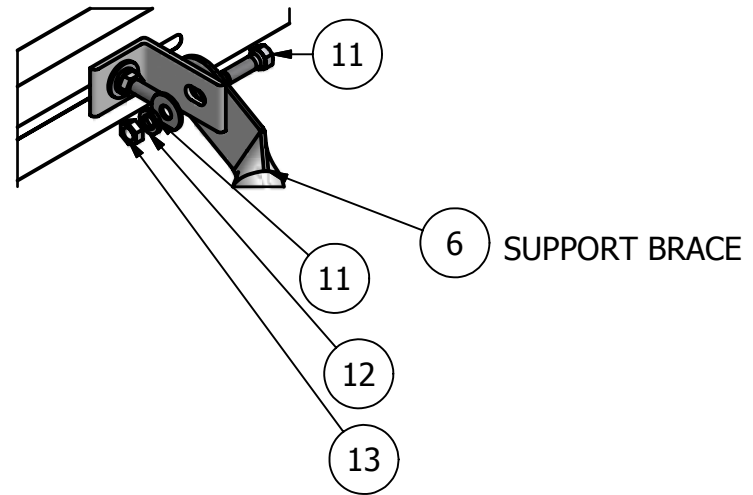
**DETAIL C**

GOAL ATTACHMENT

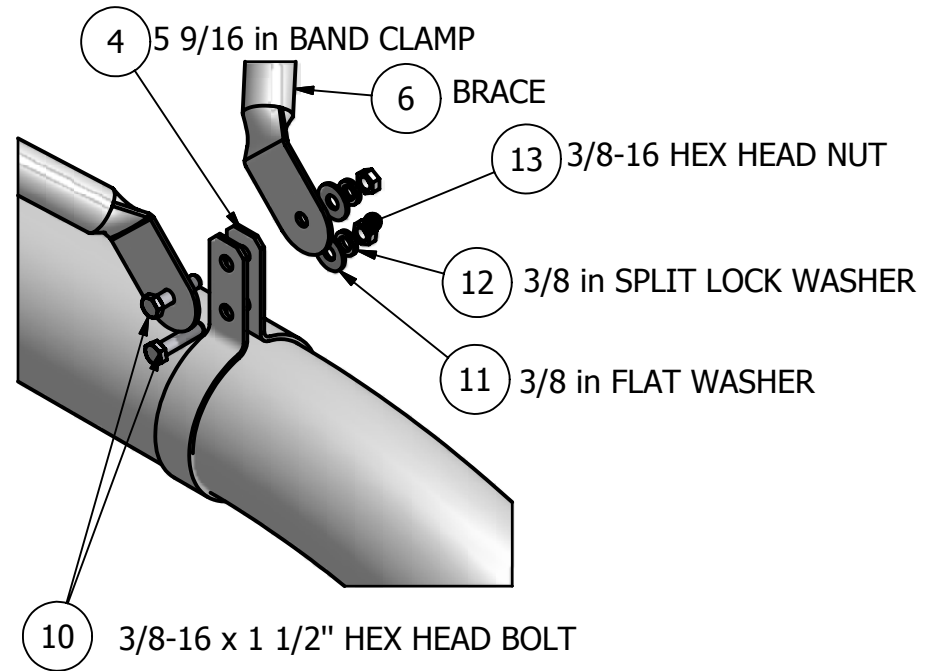
**DETAIL D**  
BRACE TO BOARD MOUNTING OPTIONS



**D3**  
PERFBKT  
PERFORATED BOARDS  
SR-PERF AND AL-PERF  
OR ACRYLIC BOARD ACRB-72  
(BRACKET & HARDWARE PROVIDED W/BOARD)



**DETAIL E**  
UPPER BRACE ATTACHMENT



**DETAIL F**  
BRACES TO UPRIGHT ATTACHMENT