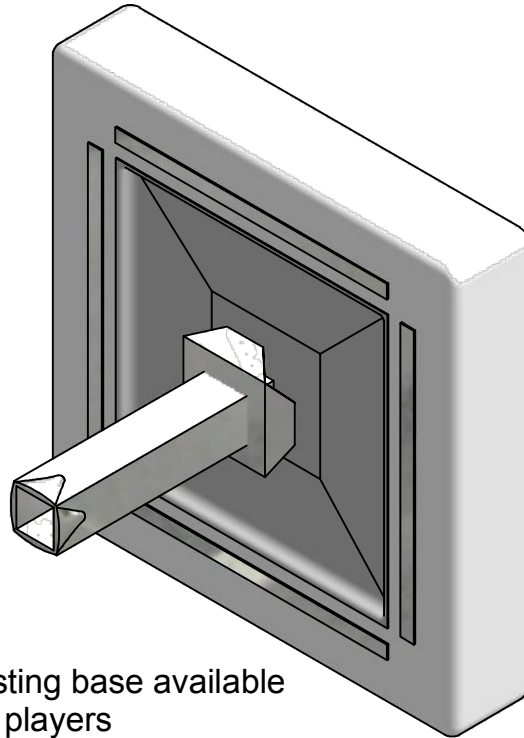
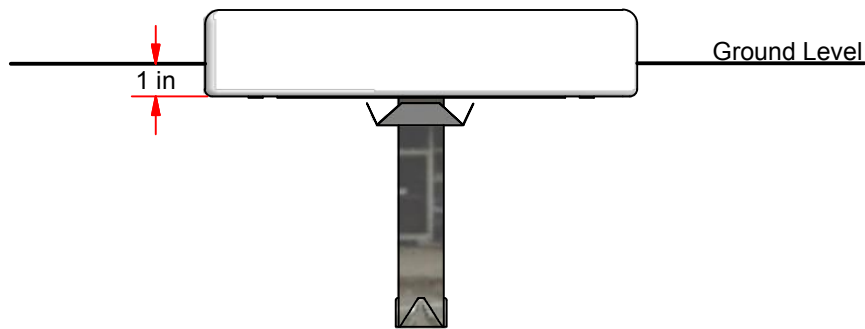


BB-500

Pro-Style "Hollywood" Bases



- The highest quality, longest lasting base available
- Used by professional baseball players
- Tapered lips dig into the dirt
- Recommended for advanced levels of play only.
- Bases do not compress
- Includes 3 bases, 3 anchors and 3 rubber plugs



CAUTION

Installer should make sure base is one inch below playing surface.

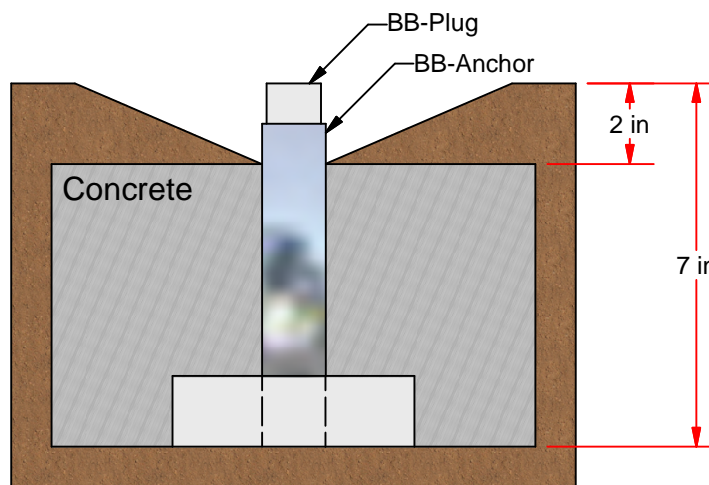
REV.	DESCRIPTION	DATE	BY	www.jaypro.com Jaypro Sports Equipment Since 1958		DRAWING NAME / PART NUMBER: BB-500					
				BB-500 Pro-Style Bases		DRAWN BY: DC	ISSUE DATE: 6/12/2006				
						CHK'D BY: BTS	REV.				
						SHEET: 1 OF 1	A				
COPYRIGHT 2006 JAYPRO SPORTS, LLC. ALL RIGHTS RESERVED				THIS PRINT IS THE PROPERTY OF JAYPRO SPORTS, LLC. AND MAY NOT BE REPRODUCED WITHOUT WRITTEN PERMISSION				800.444.1779 (SALES) 800.243.0533 (TOLL FREE) 860.440.0628 (ENG.) 860.447.3001 (LOCAL)		JAYPRO SPORTS, LLC, 976 HARTFORD TURNPIKE, WATERFORD, CT 06385 USA	


Anchor Installation Instructions

Models: BB-200, BB-400, BB-500, HP-200

1. Prepare a 10 inch square approximately 2-1/2 inches away from the base line by digging 7 inches deep.
2. Drive the 1-1/2 inch square wooden peg, 10" in length into the center of the hole. Do not set the wooden peg too firmly, in order to be able to remove it later. Make sure the sides of the peg are parallel to the base line and the top of the peg is perpendicular to the ground level.
3. Place the ground anchor over the peg; flared end down. The bottom of the anchor should rest on the bottom of the hole. With a straight edge, check to insure that there is a distance of 1 inch from the top of the ground anchor to ground level.
4. In order to prevent concrete from blocking the lower end of the ground anchor tube or from holding in the peg, press a small amount of dirt around the bottom of the ground anchor.
5. Fill the hole with 5" of concrete. The upper end of the ground anchor should be 1 inch above the top of the concrete. Concrete should be completely hardened before removing the peg. Insert BB-Plug.
6. Fill hole with dirt on top of concrete, on an angle from the outer edge of the hole inward and downward to where the ground anchor tube and the concrete meet.

MAINTENANCE: Keep ground anchors covered with BB-Plugs when not in use to prevent dirt from getting into the anchor. Remove any dirt that might obstruct the base from entering the ground anchor.



REV.	DESCRIPTION	DATE	BY	www.jaypro.com		DRAWING NAME / PART NUMBER:	
						Anchor Installation Instructions	
						FAX: 800.444.1779 (SALES) 860.440.0628 (ENG.) PHONE: 800.243.0533 (TOLL FREE) 860.447.3001 (LOCAL)	
				JAYPRO SPORTS, LLC, 976 HARTFORD TURNPIKE, WATERFORD, CT 06385 USA		CHK'D BY: BTS	
COPYRIGHT 2006 JAYPRO SPORTS, LLC. ALL RIGHTS RESERVED						THIS PRINT IS THE PROPERTY OF JAYPRO SPORTS, LLC. AND MAY NOT BE REPRODUCED WITHOUT WRITTEN PERMISSION	

Anchor Installation Instructions