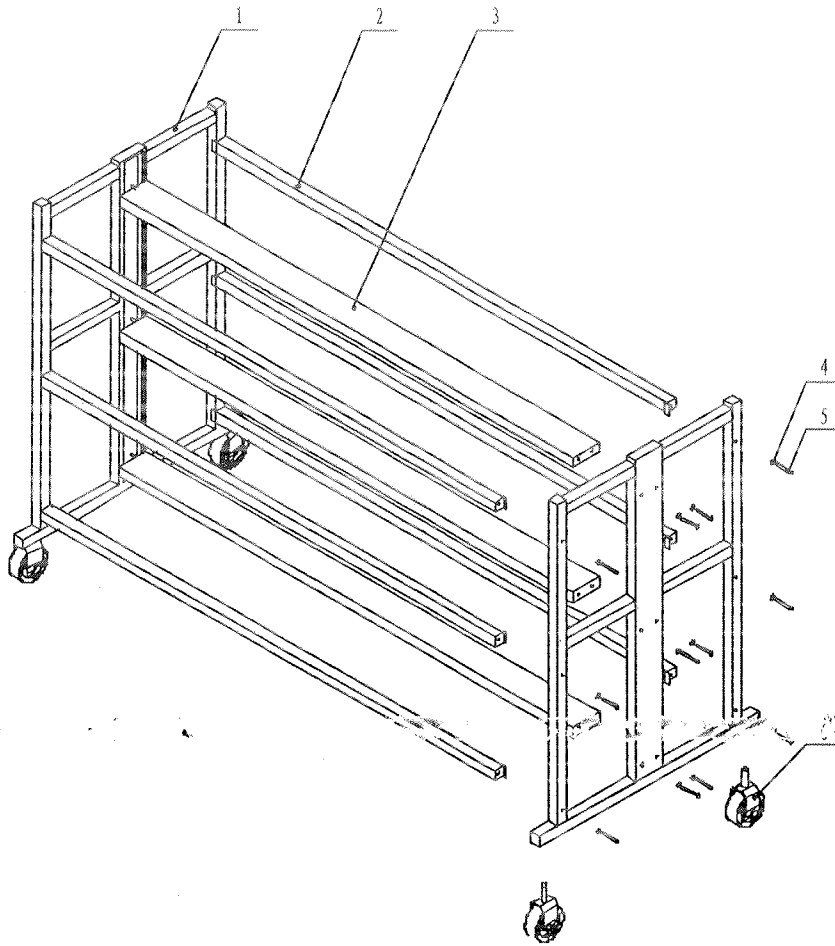


# Assemble Instruction Double Monster Ball Cart



## Parts List

Item#	Description	Qty
1	End frame	2pcs
2	Linking tube 1	6pcs
3	Linking tube 2	3pcs
4	Flat washer $\Phi 5$	24pcs
5	Button Head Bolt M5 $\times$ 35	24pcs
6	3"Multi-directional Caster	4pcs

Model No. BBAC-2