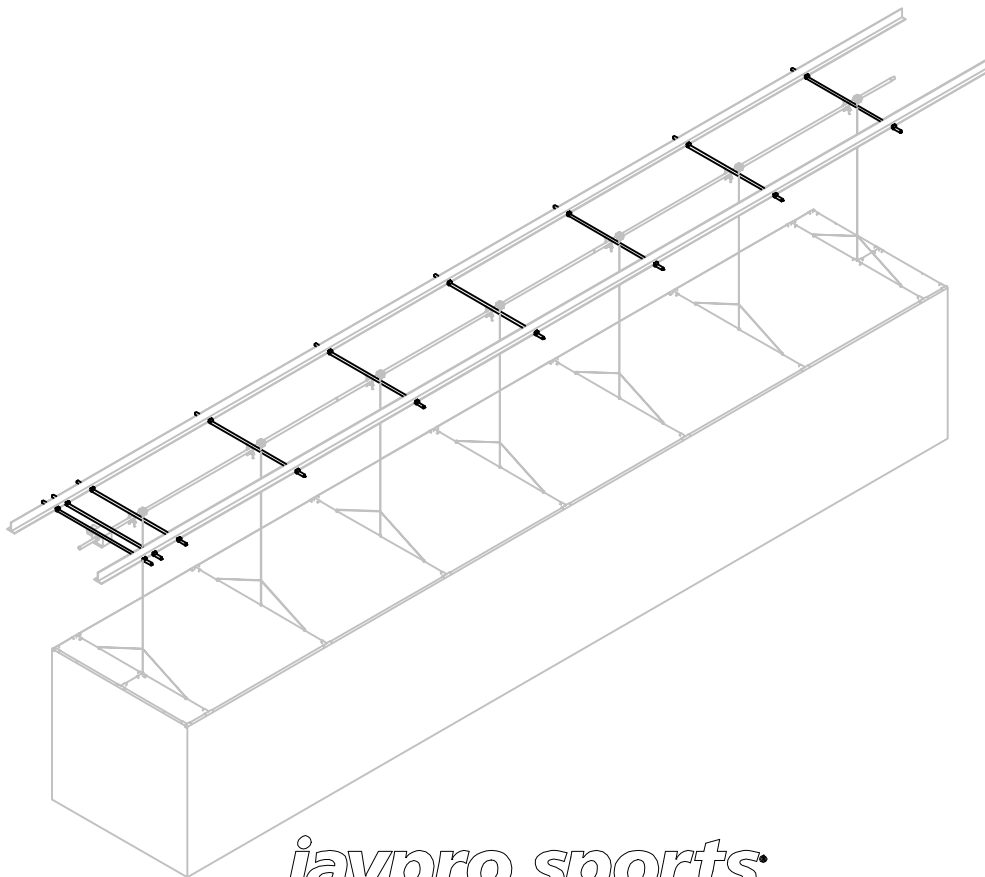




BBC-PARKITA PARALLEL SPANNING, UP TO 8 FT



jaypro sports
INNOVATION, PERFORMANCE AND COMMITMENT SINCE 1953

Installation Manual

Call Jaypro Sports at 1-800-243-0533 during
regular business hours for technical support.

www.jaypro.com



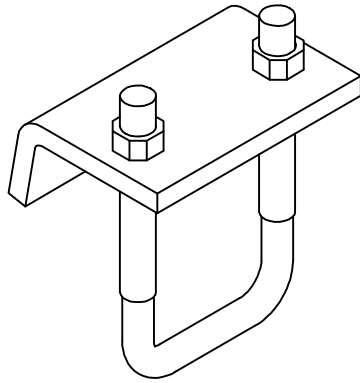
BBC-PARKITA PARALLEL SPANNING, UP TO 8 FT

CAGE SUPPORT KIT (Contains Attachment Kit and Support Structure)

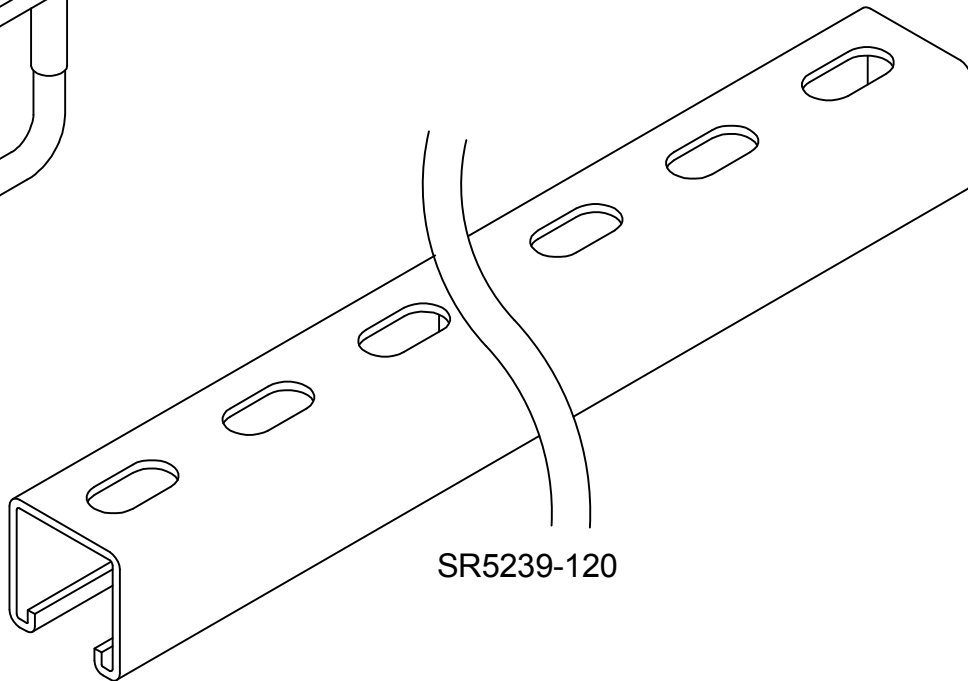
BBC-PARKITA (PARALLEL SPANNING, UP TO 8 FT)

(9) SR5239-120
(36) HM6157

1-5/8 X 1-5/8 X 120' SINGLE STRUT CHANNEL
SINGLE STRUT BEAM CLAMP ASSEMBLY



HM6157



SR5239-120

MEASURE AND ESTABLISH LOCATION OF CAGE:

1. The cage is either 12' or 14' wide by 70' long once assembled.
2. There should be a clear area around the perimeter of the cage that is 3' minimum.
3. The motor of the cage should be located outside the frame to allow for service to the motor in either the retracted or down position.

ESTABLISH THE MOTOR REFERENCE POINT:

1. The assembly of the cage and drive system is based on the establishment of a motor reference point.
2. The motor reference point is on the centerline of the of the cage on either end of the cage frame.
3. The reference point must be transferred to the ceiling structure of the building to establish the attachment points for the motor and drive pipe carriers.
4. A plumb laser is the preferred method for achieving this location.



BBC-PARKITA PARALLEL SPANNING, UP TO 8 FT

