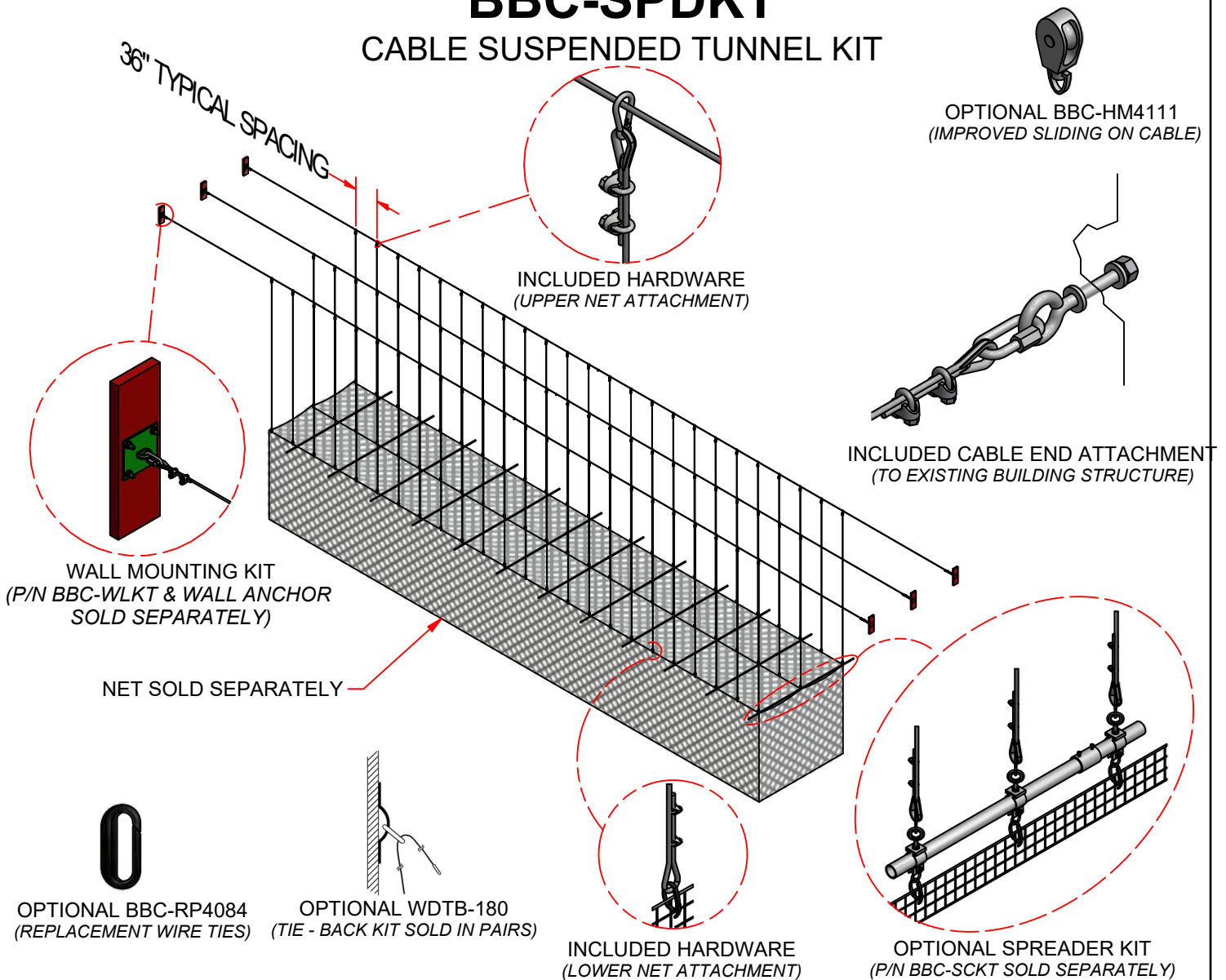


# BBC-SPDKT

## CABLE SUSPENDED TUNNEL KIT

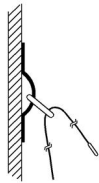


WALL MOUNTING KIT  
(P/N BBC-WLKT & WALL ANCHOR  
SOLD SEPARATELY)

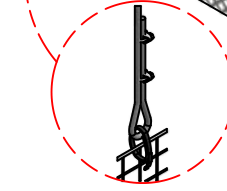
NET SOLD SEPARATELY



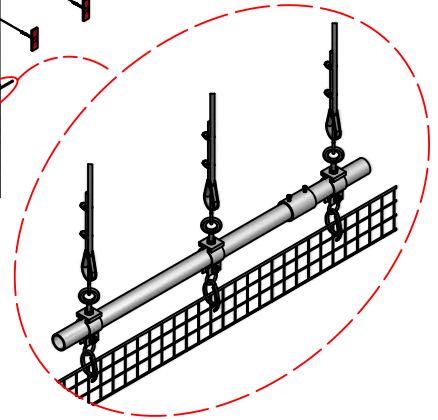
OPTIONAL BBC-RP4084  
(REPLACEMENT WIRE TIES)



OPTIONAL WDTB-180  
(TIE - BACK KIT SOLD IN PAIRS)



INCLUDED HARDWARE  
(LOWER NET ATTACHMENT)



OPTIONAL SPREADER KIT  
(P/N BBC-SCKT SOLD SEPARATELY)

### FEATURES:

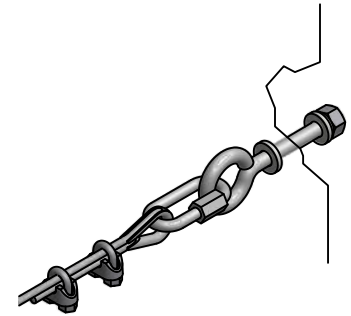
- \* MAXIMIZES YOUR OVER-HEAD SPACE WHEN NET IS IN STORED POSITION
- \* ALLOWS SUPPORT CABLES TO BE PLACED HIGHER IN THE CEILING, UP TO 30 FT
- \* INCLUDES (3) 100 FT ROLLS OF 1/4" GALVANIZED AIRCRAFT CABLE & HARDWARE TO ATTACH NET

### OPTIONS:

- \* BASEBALL NET IS 1-3/4" SQUARE MESH, BLACK KNOTLESS NYLON NETTING, UV STABILIZED, 12' H x 12' W x 70' L (P/N BBC-370 SOLD SEPARATELY)
- \* MULTI-SPORT NET IS 3/4" SQUARE MESH, KNOTLESS NYLON NETTING, UV STABILIZED, 11' H x 12' W x 70' L (P/N BBC-700N SOLD SEPARATELY)
- \* WALL MOUNTING KIT (P/N BBC-WLKT & WALL ANCHOR SOLD SEPARATELY)
- \* TIE BACK KIT FOR WALL MOUNTED 1" STRAP WITH BUCKLE FOR TYING BACK NET AGAINST THE WALL (SOLD IN PAIRS P/N WDTB-180)
- \* SPREADER KIT FOR MAINTAINING THE MAXIMUM NET WIDTH (P/N BBC-SCKT SOLD SEPARATELY)
- \* 1" SWIVEL PULLEY FOR 1/4" CABLE FOR IMPROVED SLIDING ON THE CABLE TO USE WHEN NET IS FREQUENTLY TAKEN IN AND OUT OF STORAGE (P/N BBC-HM4111 SOLD SEPARATELY)
- \* PLASTIC SNAP CLIP TO REPLACE WIRE TIES FOR EASY REMOVAL AND REPLACEMENT OF NET (P/N BBC-RP4084 SOLD SEPARATELY)



OPTIONAL BBC-HM4111  
(IMPROVED SLIDING ON CABLE)



INCLUDED CABLE END ATTACHMENT  
(TO EXISTING BUILDING STRUCTURE)

# BBC-SPDKT

## CABLE SUSPENDED TUNNEL KIT



www.jaypro.com

INNOVATION, PERFORMANCE  
AND COMMITMENT SINCE 1953

PHONE:  
800.243.0533 (TOLL FREE)  
860.447.3001 (LOCAL)

FAX:  
860.444.1779 (SALES)  
860.440.0629 (ENG.)

DRAWING NAME / PART NUMBER:

**BBC-SPDKT**

DRAWN BY:

Moune T.

ISSUE DATE:

1/10/2014

CHKD BY:

WVB

CHK DATE:

1/10/2014

SHEET:

1 OF 1