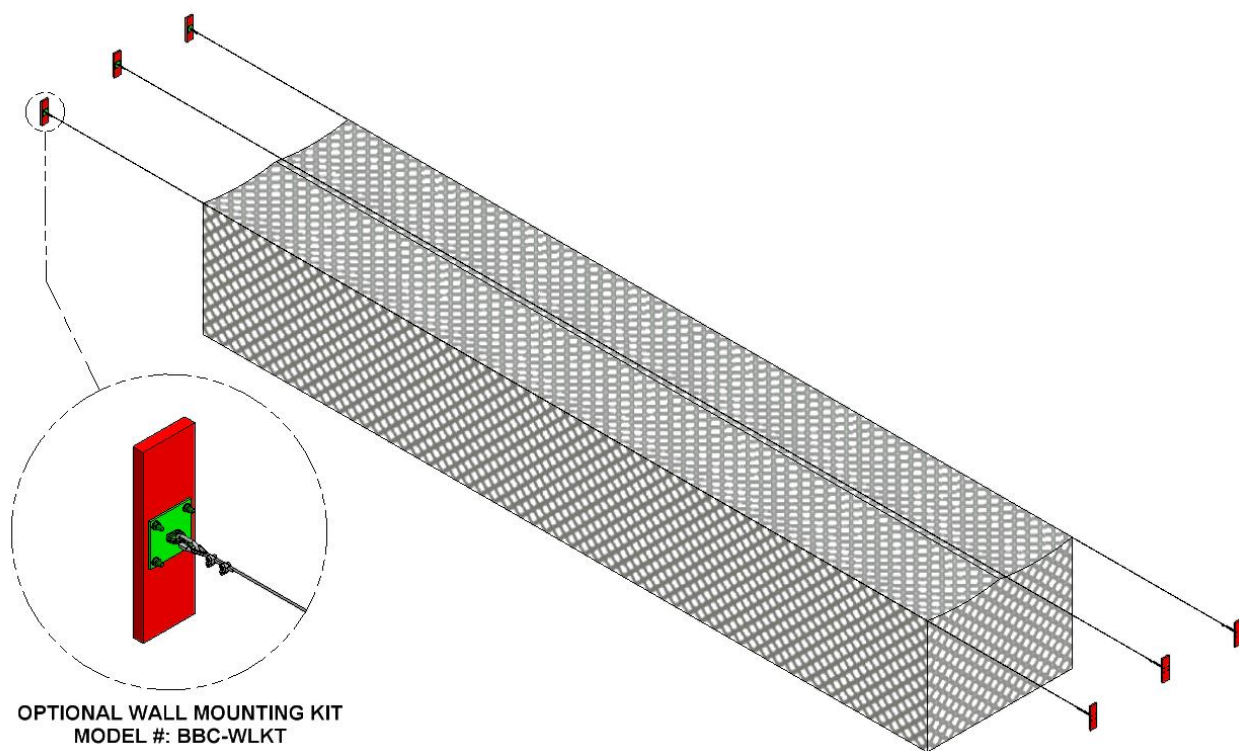


--- BBC-SPRTKT ---
(Cable Supported Tunnel Kit)

Installation Instructions



Call Jaypro Sports Equipment at 1-800-243-0533 during regular business hours for technical support.

www.jaypro.com

JAYPRO SPORTS
BBC-SPRKT, INDOOR CABLE SUPPORTED BATTING TUNNEL KIT

IMPORTANT NOTICE:

- 1) DO NOT SET CAGE OR NET TOO CLOSE TO WALLS, COLUMNS, CEILINGS OR ANY SOLID OBJECT WHERE BALLS CAN STRIKE AND BOUND BACK. CAGE OR NET SHOULD BE AT LEAST 4 FEET FROM ALL BYSTANDERS, CEILINGS, WALLS OR SOLID OBJECTS.
- 2) SPECTATORS MUST NOT STAND IN BACK OR NEAR SIDES OF CAGE OR NET WHILE BEING USED FOR BATTING PRACTICE.
- 3) ALTERATION OR MODIFICATION OF THIS EQUIPMENT MAY BE HAZARDOUS AND RESULT IN INJURY. FOR REPAIR OR REPLACEMENT, CONTACT YOUR DEALER OR JAYPRO SPORTS.
- 4) CAUTION: DO NOT OVER TIGHT THE CABLES, AS EXTREME LOADING WILL BE PLACED ON THE WALL OR END STRUCTURE.

PRODUCT DESCRIPTION:

The *BBC-SPRKT*, cable supported batting tunnel kit is designed to attach to your existing building structure, whether steel I-beam columns or reinforced (blocked) studded walls. 9/16" holes will need to be drilled for the 1/2" eyebolts. If attaching to standard CMU block or concrete filled walls it is recommended that a wood stringer wall mounting kit be used (model number *BBC-WLKT*), which can be purchased separately. This kit includes six (6) attractive polyurethane finished 24" long, 2" x 8" stringers and mounting plates that are easy to install and help spread the load across multiple CMU blocks or other wall types.

The height of the cables should be set about 12" below the height of the netting itself. This will allow about 12" of netting to lay on the floor to capture the ball. The center cable should be placed about 6" higher than the outer cables.

To maximize your overhead clearance when the net is out of the way and stored against the wall, a cable suspension kit is available that will suspend the net up to 20 ft below the support cables (model number *BBC-CSTK*).

ASSEMBLY INSTRUCTIONS

TOOLS REQUIRED:

- (1) Nut Driver Set
- (1) Box Wrench Set
- (1) Electric drill w/ Phillips head
- (1) Bolt Cutters
- (1 or 2) 16 FT Stepladder(s)

- Unpack all parts and check against parts list to ensure that all have been included.
- Inspect all parts for damage. Report any damages to the trucking company.

ITEM	DESCRIPTION	BBC-SPRKT
1	1/4" GALVANIZED AIRCRAFT CABLE x 100 FT	3
2	1/2" x 6" STEEL EYEBOLTS, ZP	6
3	1/2" x 12" GALV. STEEL TURNBUCKLE, JAW TO JAW	3
4	3/8" QUICK LINK	3
5	1/4" THIMBLES	6
6	1/4" CABLE CLAMPS	12
7	1/4" x 2 3/8" SNAP HOOK	213
8	1/2-13 HEX NUT	6
9	1/2 FLAT WASHER	12
10	1/2 ID SPLIT LOCK WASHER	6
		QTY

- 1) Make up one end of each of the three cables, as shown in Figure 1. Tighten the cable clamps using a nut driver.

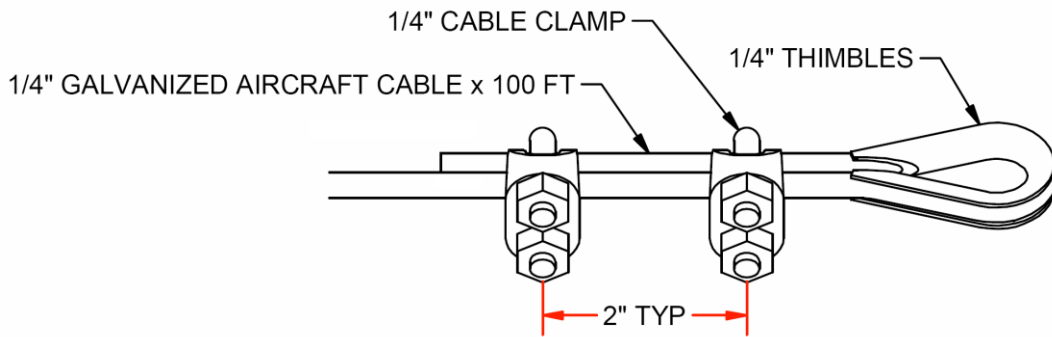


Figure 1: Assemble End Loops

- 2) Make up the other end of each cable leaving the cable clamps hand tight, as the overall length may need to be adjusted.
- 3) Mark the location of the cable anchor as shown in the diagram below. The spacing and height dimensions shown are for a 12' wide x 12' high net. Adjust dimensions accordingly for different width and height nets.

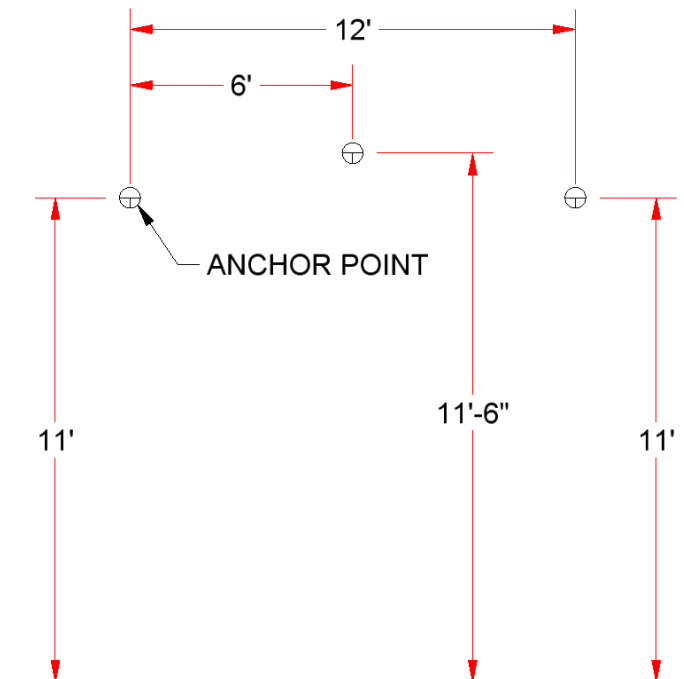


Figure 2: Anchor Point Locations On Building Wall (Both Ends)

Note: The height of the cables should be set at about 12" below the height of the net. This will place about 12" of net on the floor to capture the balls.

- 4) Attach the fixed ends of the three cables to the building structure, as shown. 9/16" holes will need to be drilled to accommodate the 1/2" eyebolts. Note if optional wall mounting kit (BBC-WLKT) is purchased; please see installation instructions that come with it.

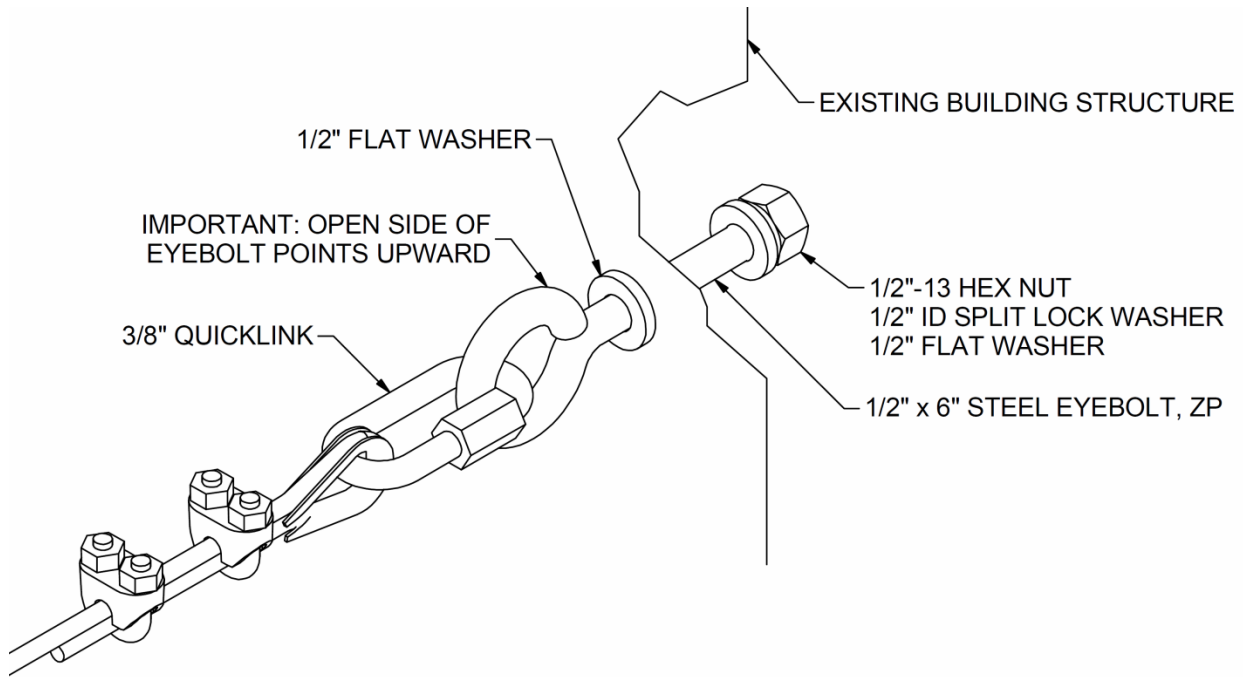


Figure 3: Standard Building Attachment

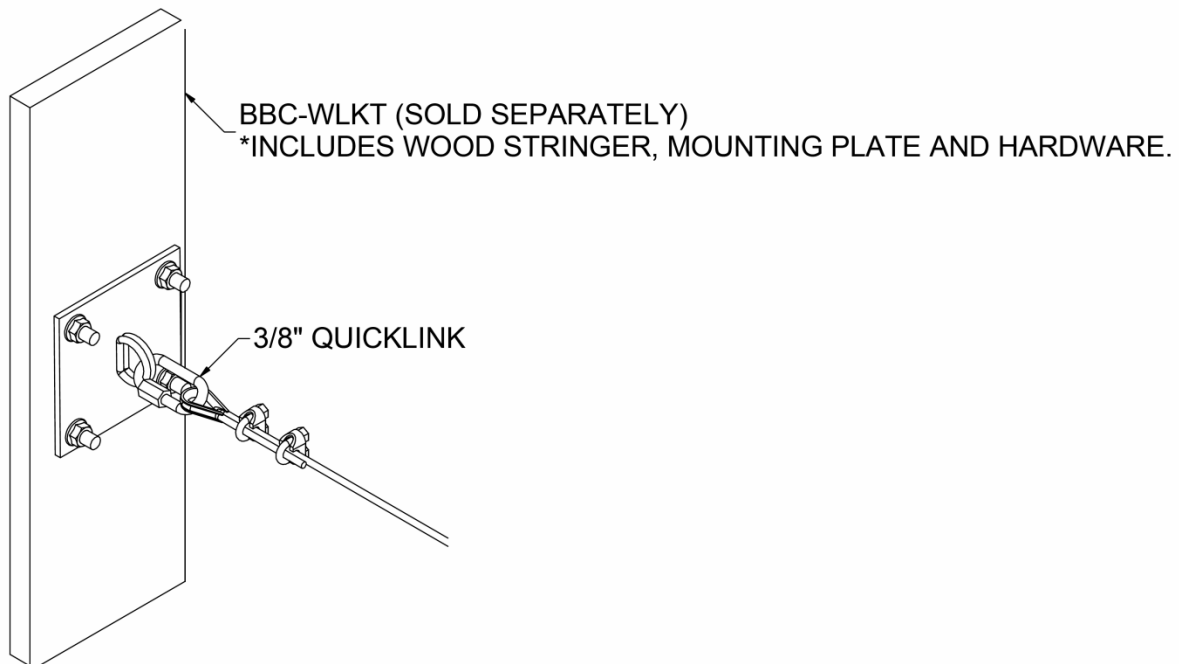


Figure 4: Optional Wall Mounting Kit

- 5) Attach the adjustment end of the three cables to the building structure as shown.

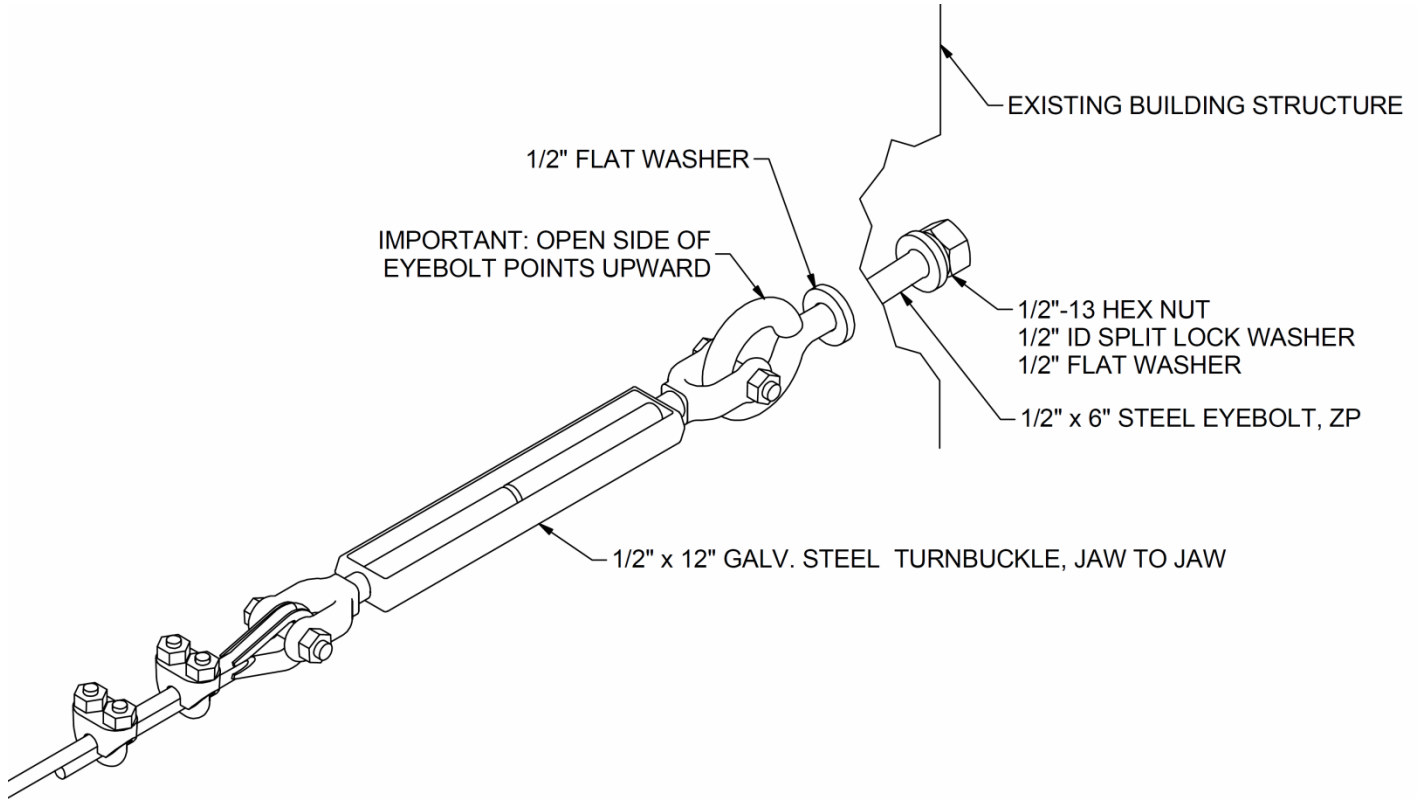


Figure 5: Standard Building Attachment On Adjustment End

- 6) Extend the turnbuckles to their maximum length for each cable. Loosen the two cable clamps and remove as much slack from the cable as possible. Using the turnbuckles tighten each cable. Roll out net under the suspended cables, spreading it out flat. Center the net between the end cables.

- 7) Attach the net to the cables using the snap hooks place every 12". Place the snap hooks on the three binding cords along the outer edge and mid line.

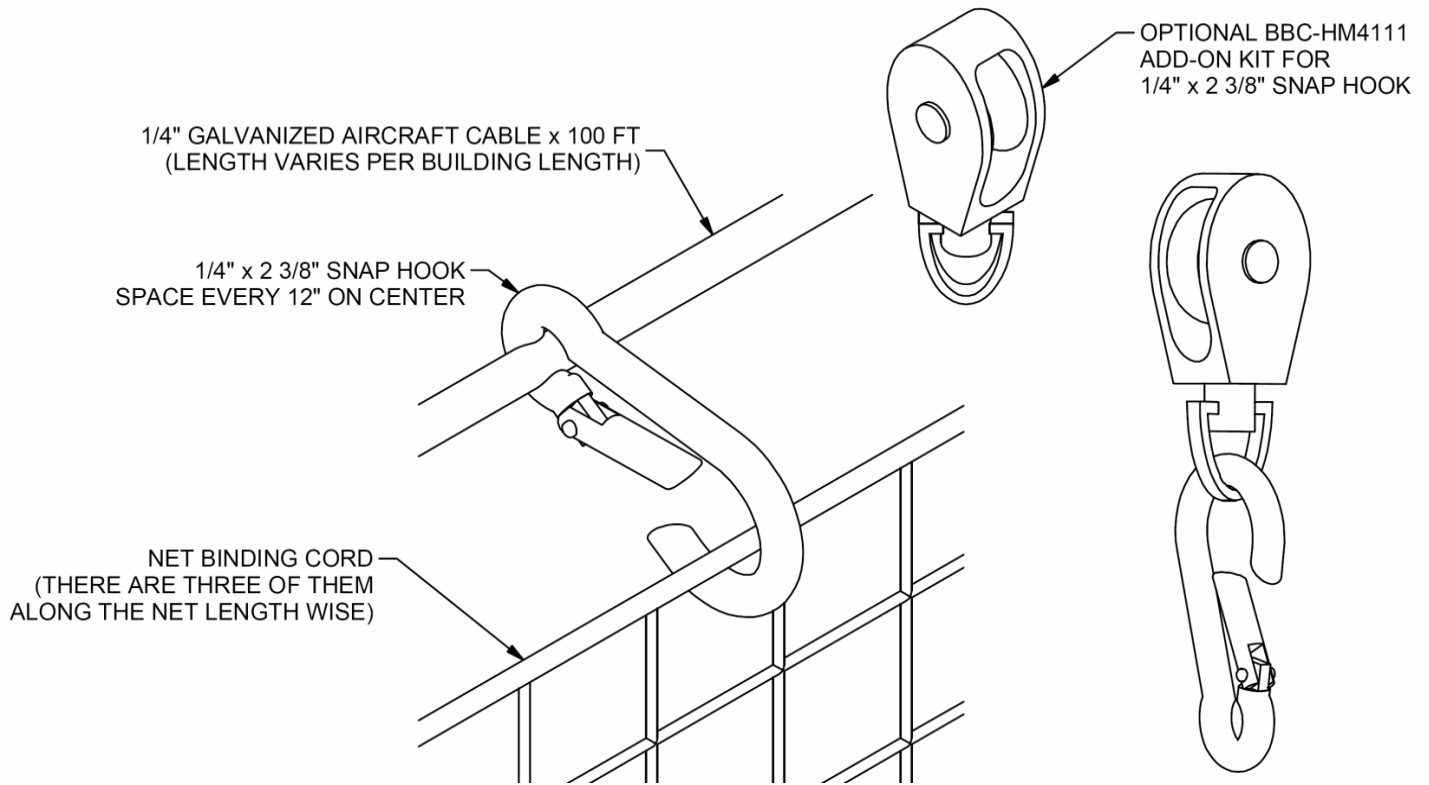
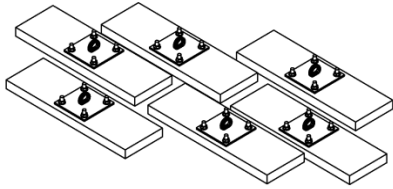


Figure 6: Attach Net To Cable

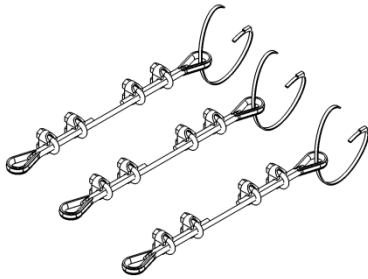
- 8) Adjust the cables using the turnbuckles (see figure 5) as needed to minimize sag.

Caution: over tightening the cables may results in damage to the wall or support structure.

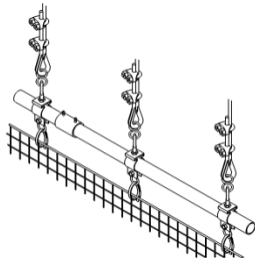
OPTIONAL KITS AND HARDWARE:



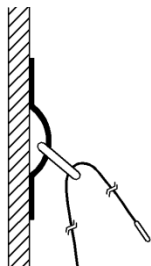
MODEL #: BBC-WLKT
WALL MOUNTING KIT: (QTY: 6) Wood stringers and mounting plates for attaching to CMU block and concrete walls.



MODEL #: BBC-CSKT
CABLE SUSPENSION KIT: 1/8" Cable and associated hardware to allow support cables to be raised higher for added clearance.



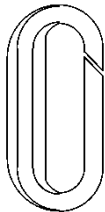
MODEL #: BBC-SCKT
CABLE SPREADER TUBE KIT: (QTY: 12) 3/4" conduit tube and associated hardware for maintaining the maximum net width.



MODEL #: WDTB-180
TIE - BACK KIT: Wall mounted 1" strap with buckle for tying back net against the wall. (sold in pairs)



MODEL #: HM4111
1" SWIVEL PULLEY FOR 1/4" CABLE: (REQUIRED QTY: 213)
Rollers, swivel pulleys for improved sliding on the cable to use when net is frequently taken in and out of storage.



MODEL #: BBC-RP4084
PLASTIC SNAP CLIP: (QTY: 75) HDPE molded plastic snap clips. Replaces wire ties for easy removal and replacement of net.