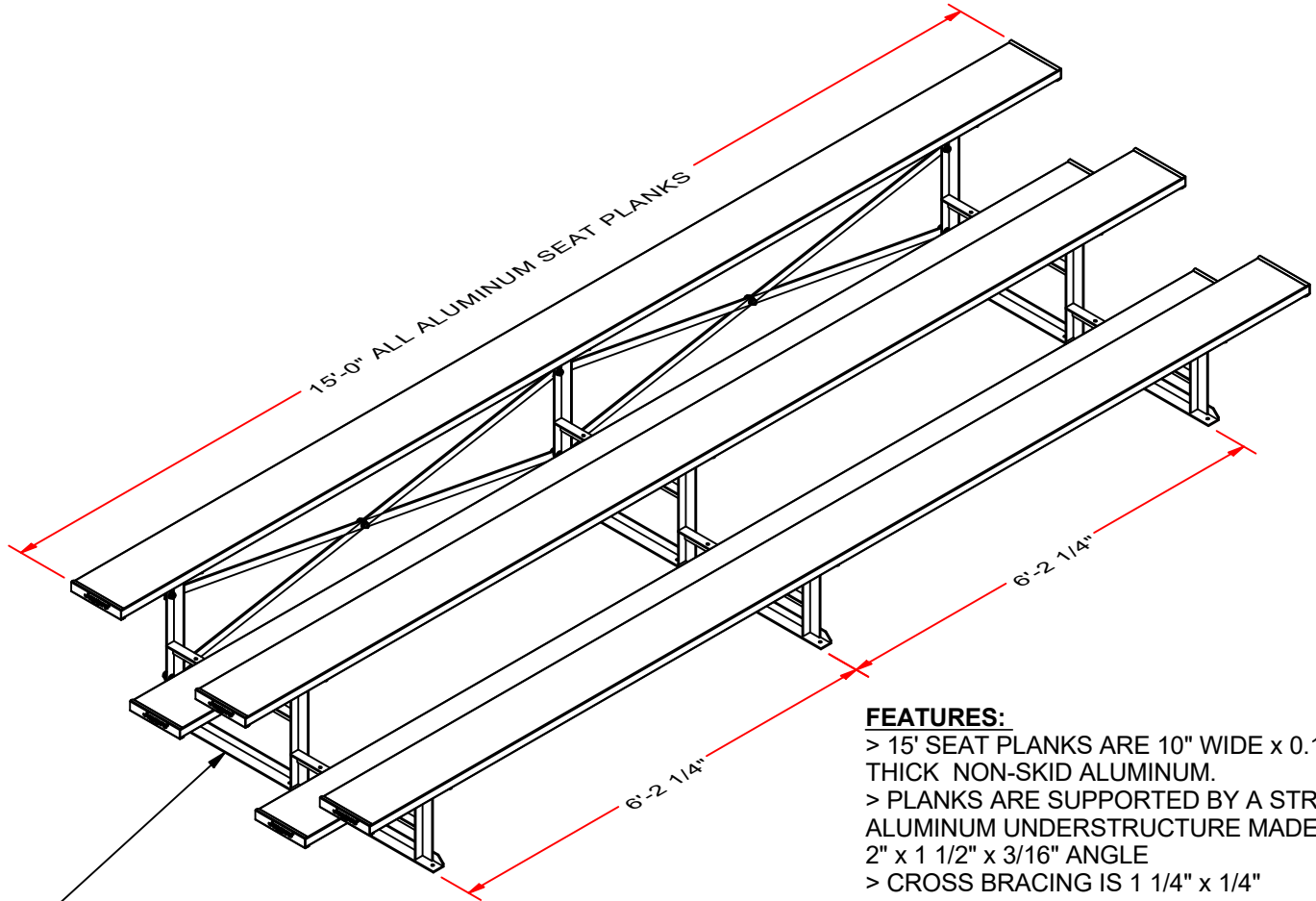




# BLCH-3AL 15' ALUMINUM BLEACHER



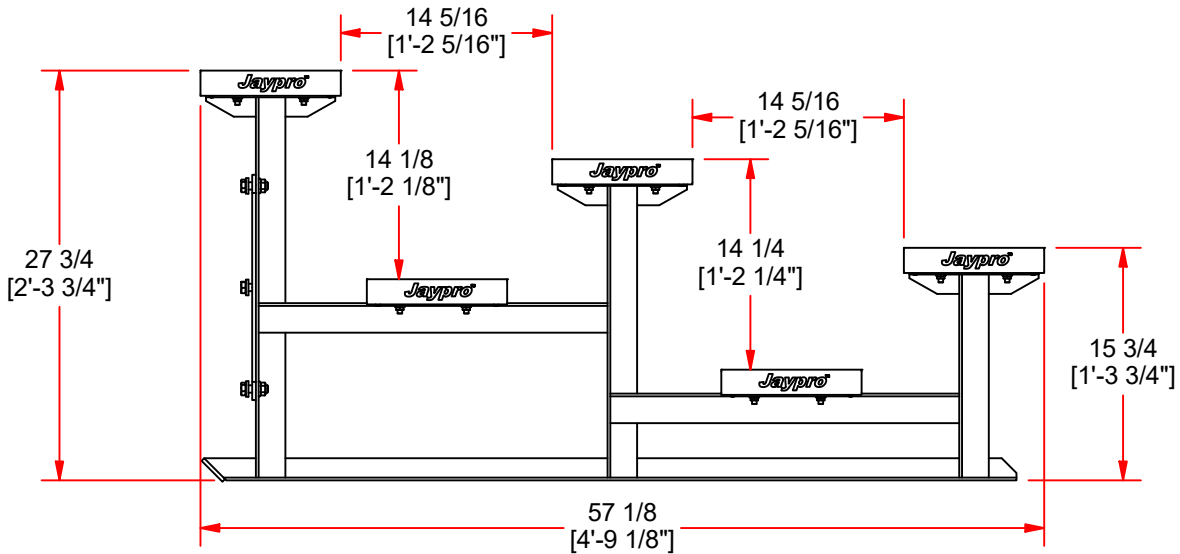
ALUMINUM UNDER STRUCTURE PROVIDE A LIGHTWEIGHT, STABLE BLEACHER.

**FEATURES:**

- > 15' SEAT PLANKS ARE 10" WIDE x 0.100" THICK NON-SKID ALUMINUM.
- > PLANKS ARE SUPPORTED BY A STRONG, ALUMINUM UNDERSTRUCTURE MADE OF 2" x 1 1/2" x 3/16" ANGLE
- > CROSS BRACING IS 1 1/4" x 1/4" ALUMINUM FLAT BAR

**OPTIONS:**

- > CUSTOM POWDER COATED COLORS



## BLCH-3AL

15' ALUMINUM BLEACHER

© COPYRIGHT 2017 JAYPRO SPORTS, LLC. ALL RIGHTS RESERVED  
THIS PRINT IS THE PROPERTY OF JAYPRO SPORTS, LLC. AND MAY NOT BE REPRODUCED WITHOUT WRITTEN PERMISSION

www.jaypro.com  
(800) 243-0533  
976 Hartford Turnpike  
Waterford, CT 06385 USA