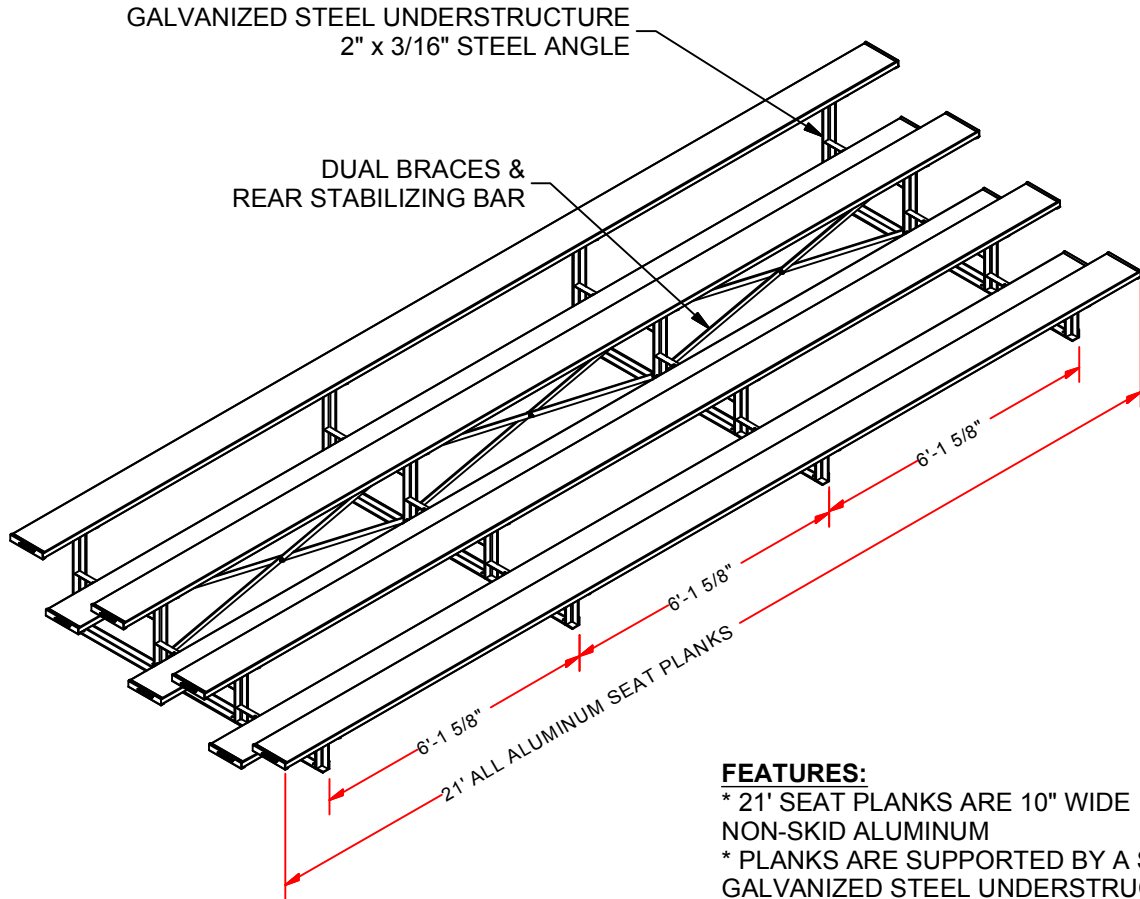


# BLCH-421

## 21' ALUMINUM SEAT W/ GALVANIZED STEEL UNDERSTRUCTURE

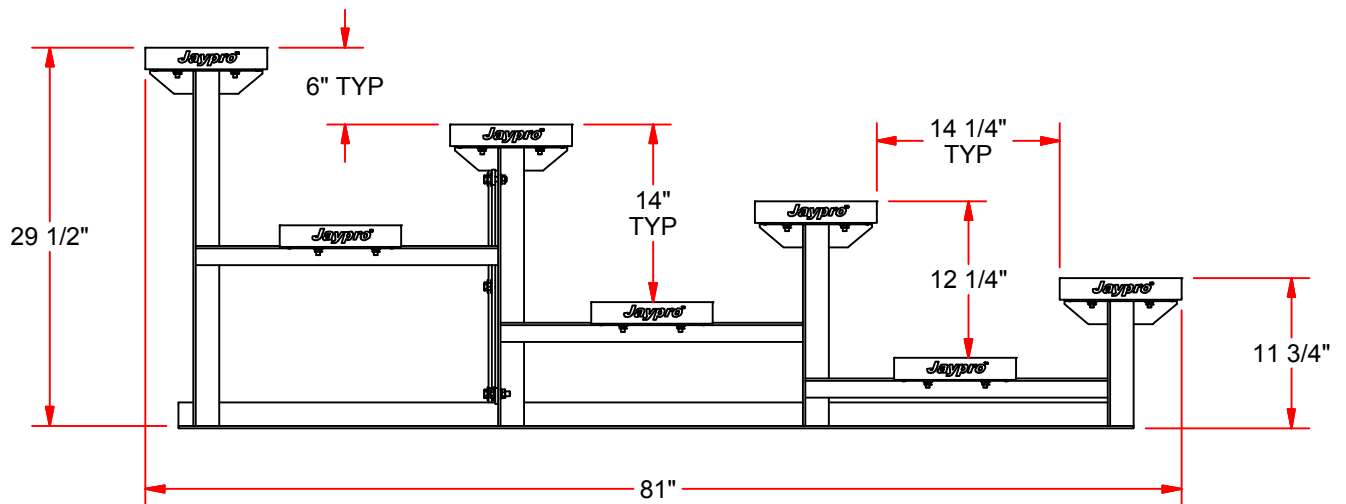


### FEATURES:

- \* 21' SEAT PLANKS ARE 10" WIDE NON-SKID ALUMINUM
- \* PLANKS ARE SUPPORTED BY A STRONG, GALVANIZED STEEL UNDERSTRUCTURE

### OPTIONS:

- \* CUSTOM POWDER COATED COLORS



REV.	DESCRIPTION	DATE	BY
-	INITIAL RELEASE	12/10/13	Moore T.

COPYRIGHT 2006  
JAYPRO SPORTS, LLC.  
ALL RIGHTS RESERVED

**BLCH-421**  
21' ALUMINUM SEAT W/  
GALVANIZED STEEL UNDERSTRUCTURE

THIS PRINT IS THE PROPERTY OF JAYPRO SPORTS, LLC.  
AND MAY NOT BE REPRODUCED WITHOUT WRITTEN PERMISSION



**jaypro sports**

PHONE: 800.243.0533 (TOLL FREE)  
860.447.3001 (LOCAL)

FAX: 860.444.1779 (SALES)  
860.440.0628 (ENG.)

www.jaypro.com  
INNOVATION, PERFORMANCE  
AND COMMITMENT SINCE 1953  
JAYPRO SPORTS, LLC, 976 HARTFORD TURNPIKE, WATERFORD, CT 06385 USA

DRAWING NAME / PART NUMBER: <b>BLCH-421</b>	
DRAWN BY: Moore T.	ISSUE DATE: 11/3/2011
CHK'D BY: WVB	CHK DATE: 12/10/2013
SHEET: 1 OF 1	REV. -