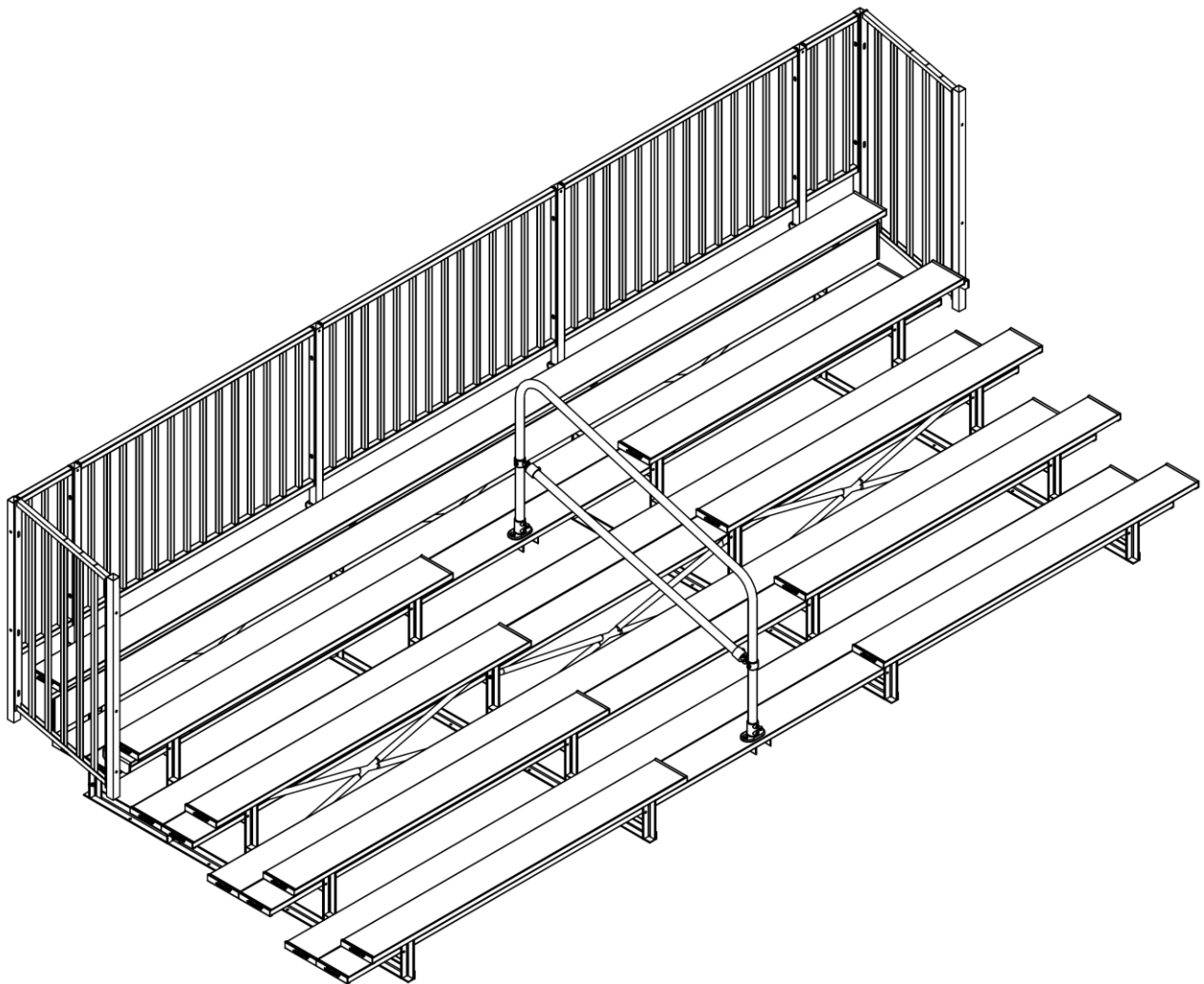


---BLCH-521ASGR ---

(5-Row, 21 FT Bleacher with Guard Rail, Aisle & Handrail)
Installation Instructions



Call Jaypro Sports Equipment at 1-800-243-0533 during
regular business hours for technical support.

www.jaypro.com

***** Bleacher To Be Assembled by Qualified Personnel Only *****

Note:

- 1) Unpack all parts and check against parts list to ensure that all parts have been included.
- 2) Inspect all parts for damage. Report any damages to the trucking company.
- 3) These instructions are for assembling a 21 ft wide, 5-row bleacher with aisle.

Part List

Item #	Quantity	Part Number	Part Description
SEATING COMPONENTS			
1	4	BLCH-5L	5-ROW BLEACHER LEG
2	6	BLCHX-80	X-BRACE x 80" L, 5 TH ROW
3	4	BLCHX-76	X-BRACE x 76" L, 3 RD ROW
4	2	BLCHX-75	X-BRACE x 75-5/16" L, MID 3 RD ROW
5	10	AR5052	STADIUM SEAT PLANK, 1 1/2" x 9 1/2" x 21 ft
6	8	AR5079	STADIUM SEAT PLANK, 1 1/2" x 9 1/2" x 8 ft
SEATING HARDWARE			
7	120	AR5044	5/16" BOLT CLIP
8	36	AR5045A	SEAT PLANK END CAP
9	4	HB5030	5/16"-18 x 3" CARRIAGE BOLT, ZP
10	112	HB5054	5/16"-18 x 1-1/4" CARRIAGE BOLT, ZP
11	8	HB4078	5/16"-18 x 1-1/2" CARRIAGE BOLT, ZP
12	21	HN5042	3/8"-16 FLANGE HEX NUT, ZP
13	124	HN5046	5/16"-18 FLANGE HEX NUT, ZP
14	3	HS289	3/8"-16 x 2" HEX HD CAP SCREW, ZP
15	18	HS287	3/8"-16 x 1-1/4" HEX HD CAP SCREW, ZP
16	72	HS5035	#8 x 1/2" PHILLIPS PAN HD SCREW, SELF DRILL
GUARD RAIL HARDWARE			
17	12	EP0018	2" x 2" BLACK SQUARE TUBE CAP
18	16	HS5157	3/8"-16 x 2-1/4" BUTTON HD CAP SCREW, SS
19	8	HS5163	3/8"-16 x 2-3/4" BUTTON HD CAP SCREW, SS
20	24	HW2151	3/8" SAE FLAT WASHER, SS
21	24	HN5040	3/8"-16 SLAB BASE TEE NUT, SS
GUARD RAIL COMPONENTS			
22	4	GR-RP	REAR SUPPORT POST
23	2	GR-SP	SIDE SUPPORT POST
24	2	GR-CP	CORNER POST
25	3	GR-B	GUARDRAIL PANEL - BACK
26	2	GR-F	GUARDRAIL PANEL - BACK END
27	2	GR-S	GUARDRAIL PANEL - REAR SIDE
AISLE HARDWARE & COMPONENTS			
28	2	SF186	SWIVEL PIPE CLAMP
29	2	SF5017	RAILING FLANGE BASE
30	1	BLCH-HR-1	"U" SHAPE HANDRAIL
31	1	BLCH-HR-2	67" SUPPORT PIPE FOR HANDRAIL
32	4	BLCH-HR-3	2" STEEL ANGLE
33	4	HS5033	1/2"-13 x 3" HEX HEAD CAP SCREW, ZP
34	4	HN5038	1/2"-13 FLANGE NUT, ZP
35	4	HW2044	1/2" FLAT WASHER, ZP

***** Bleacher To Be Assembled by Qualified Personnel Only *****

Important Notes

- Follow all warning signs and labels on equipment. Use of this equipment other than intended, may be hazardous.
- Before each use check equipment for proper connecting hardware and structural integrity of major components. Replace damaged or missing hardware immediately.
- This bleacher meets the guidelines set up for bleacher safety by the U.S. Consumer Product Safety Commission, Pub. No 330. Accordingly, rows 5 thru 10 have double foot planks and a back riser plank.
- Annual inspection and maintenance of bleachers is necessary to ensure continued safe use. Inspection and maintenance should be performed at the beginning of each season. Contact Jaypro to schedule a field maintenance visit from one of our highly trained specialists if you are unwilling or unable to perform the regular maintenance yourself.

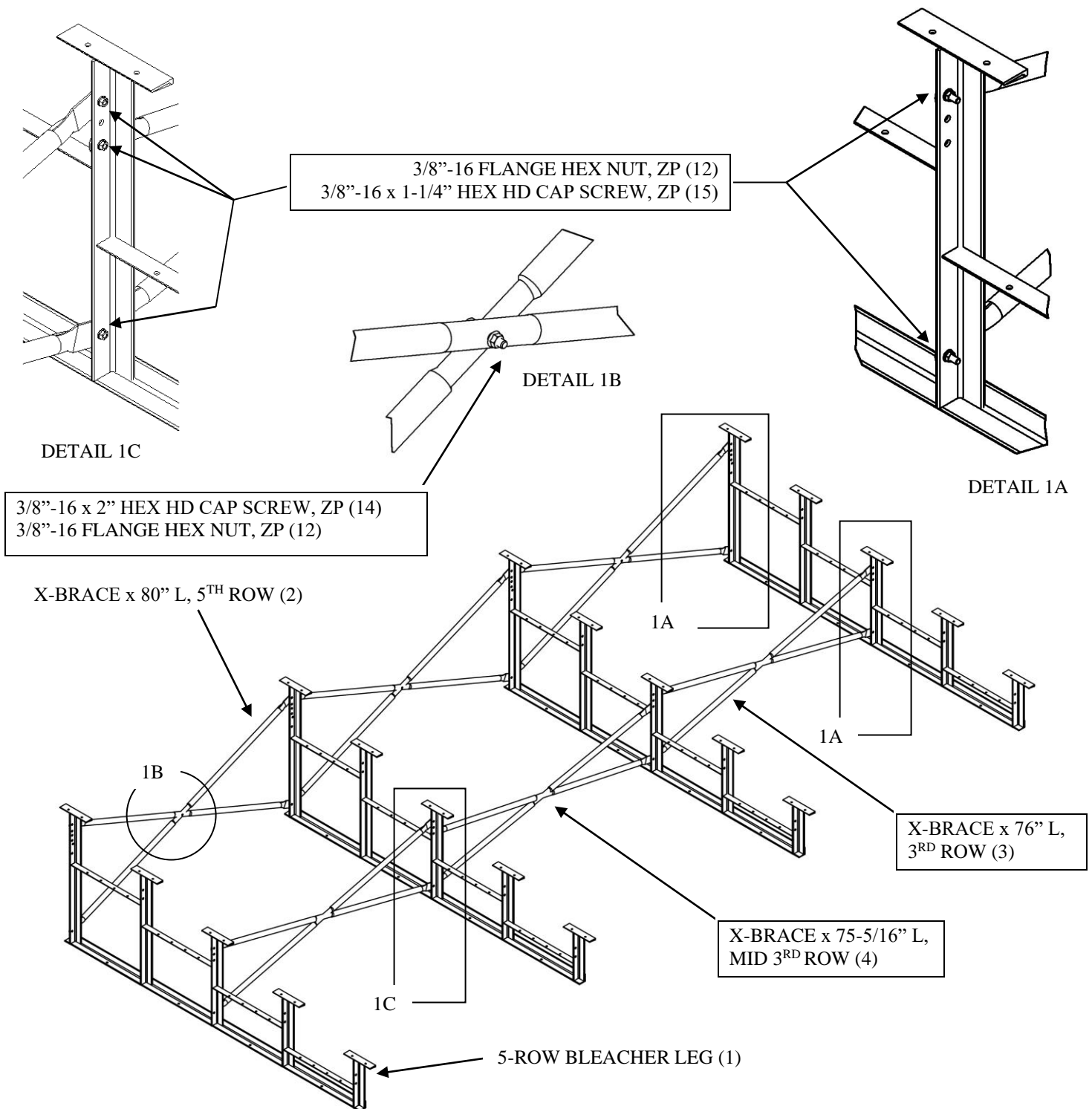
Required Tools

- 1/2" and 9/16" Box Wrench
- 1/2" and 9/16" Socket Wrench
- 7/32" & 5/16" Hex Allen Wrench
- Electric Drill with Phillips Head and 17/32" Drill Bit
- Rubber Mallet

Important Installation Instruction Note

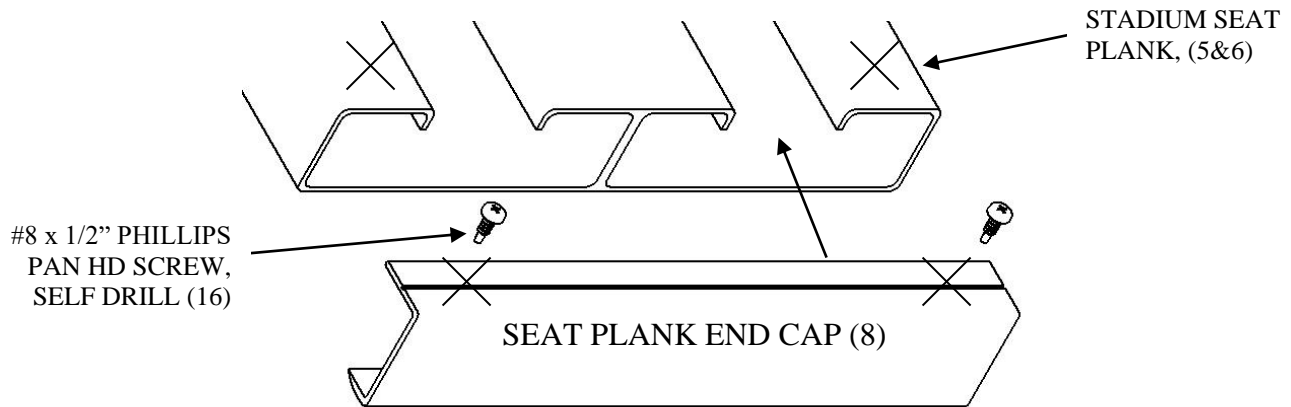
- 1) Bleacher must be located on flat firm ground, preferably on a concrete or crushed stone pad. When placed on bear ground it is recommended that bleacher be installed on treated 2"x 6" wood stringers.
- 2) These instructions are for assembling a 21 ft wide, 5-row bleacher with aisle and handrail.
- 3) This bleacher uses three different length braces. Brace lengths are measure from hole to hole.

a) Assemble Understructure:



- 1) Assemble the lower 5-Row frame. Lay out 3 or 4 of the 5-row frames (1) roughly 6 ft apart. Attach the 76" & 75-5/16" cross-bracing to the third row vertical of each frame using the hardware shown in Detail 1A & 1C. Attach the 80" cross-bracing (2) to the rear support member, using the top and bottom holes. Use hardware as shown in Detail 1B (tighten hardware only finger tight until entire base frame is assembled). Ensure that the overall frame is square and all frame sections are in-line and then securely tighten all hardware.

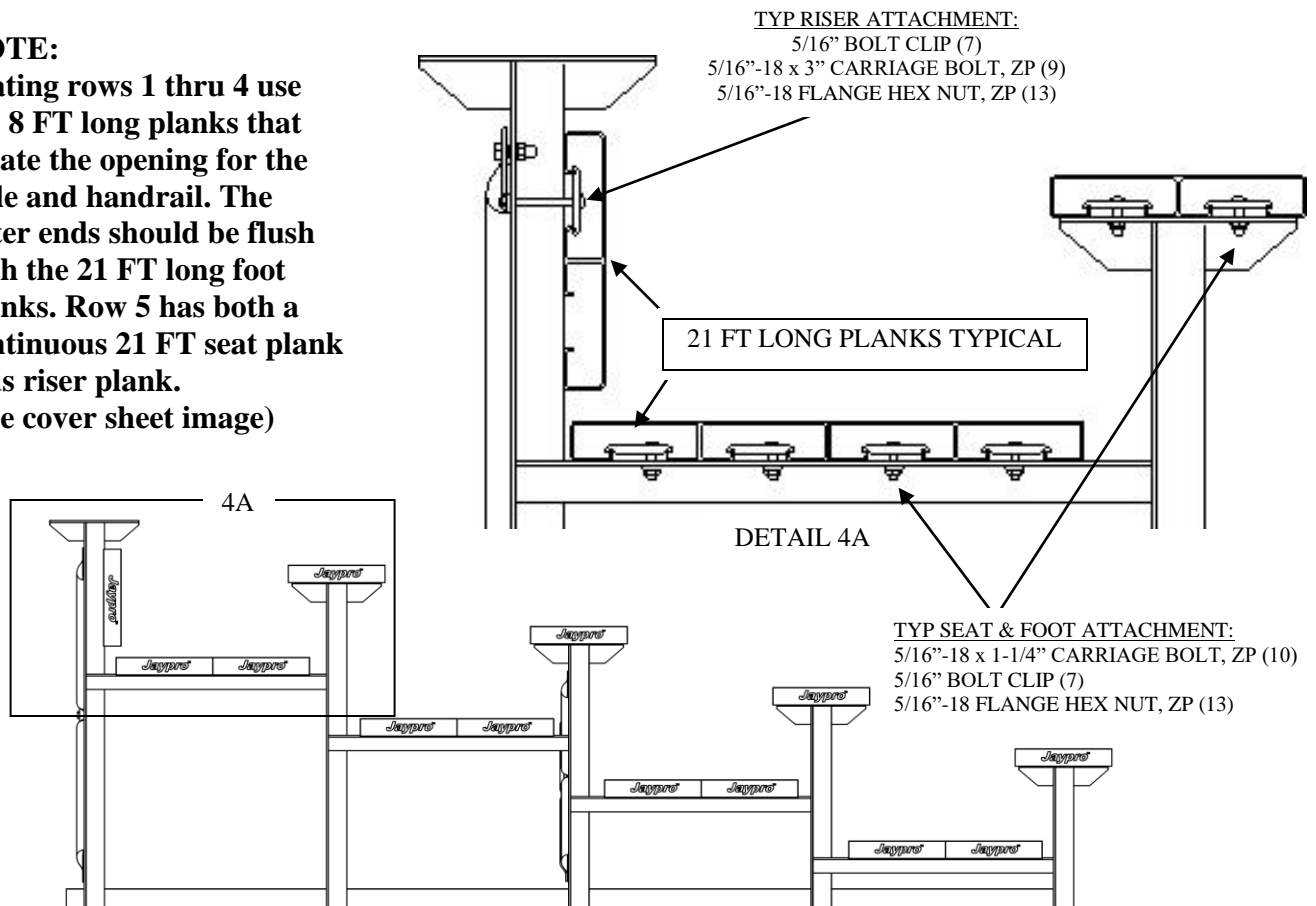
b) Install Seating, Foot and Riser Planks:



- 1) Install safety end caps on each end of all planks as shown above. Lightly tap end cap onto plank using a rubber mallet.

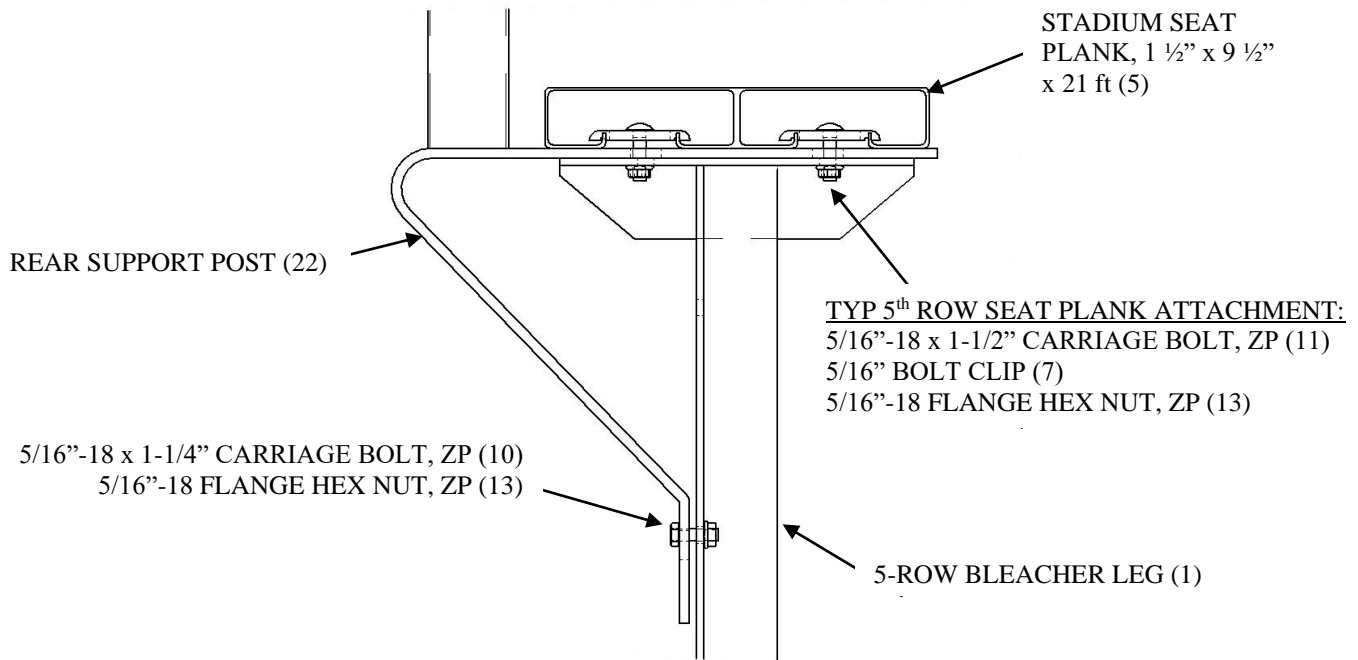
NOTE:

Seating rows 1 thru 4 use the 8 FT long planks that create the opening for the aisle and handrail. The outer ends should be flush with the 21 FT long foot planks. Row 5 has both a continuous 21 FT seat plank plus riser plank. (See cover sheet image)



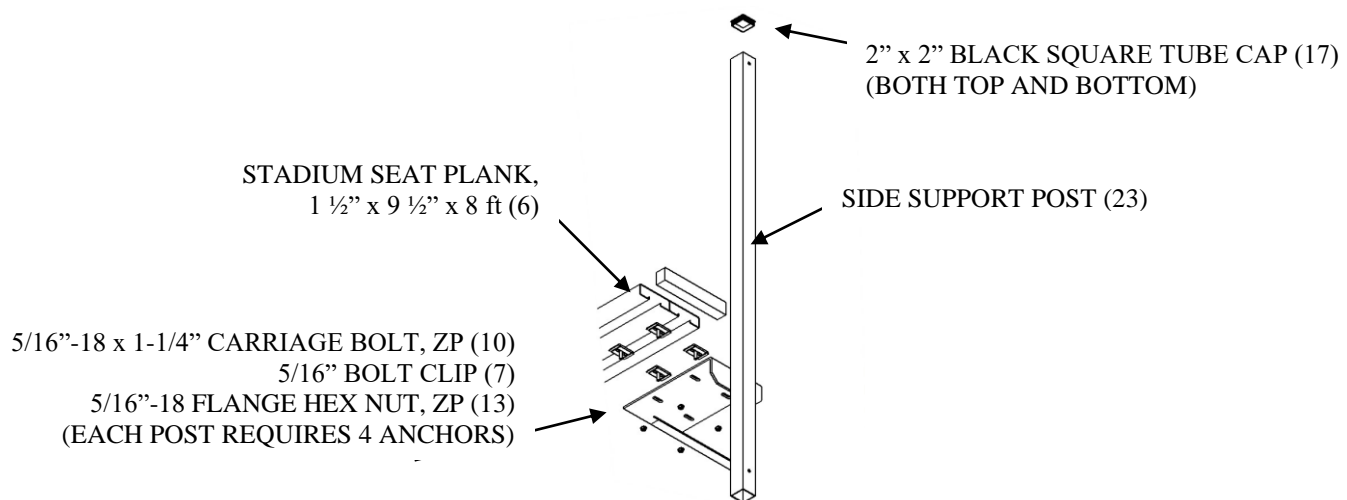
- 2) Working backwards from the first row, install all seating planks and foot planks as shown in Detail 4A. Ensure that all planks are center on the understructure frame, making sure the overhang on each end is an equal distance. Leave hardware finger tight to allow for future adjustment.
- 3) Install a riser plank on rows 5.
- 4) Do not anchor the 5th row seat plank at this point.

c) Install Guardrail Rear Support Posts:



- 1) Install one guardrail rear support post (22) at the rear of each frame as shown above, inserting the mounting flange for the support post between seat plank (5) and frame (1) (tighten hardware only finger tight at the point).
- 2) Install the hardware securing the vertical mounting flange of the guardrail support post to the frame, as shown above.

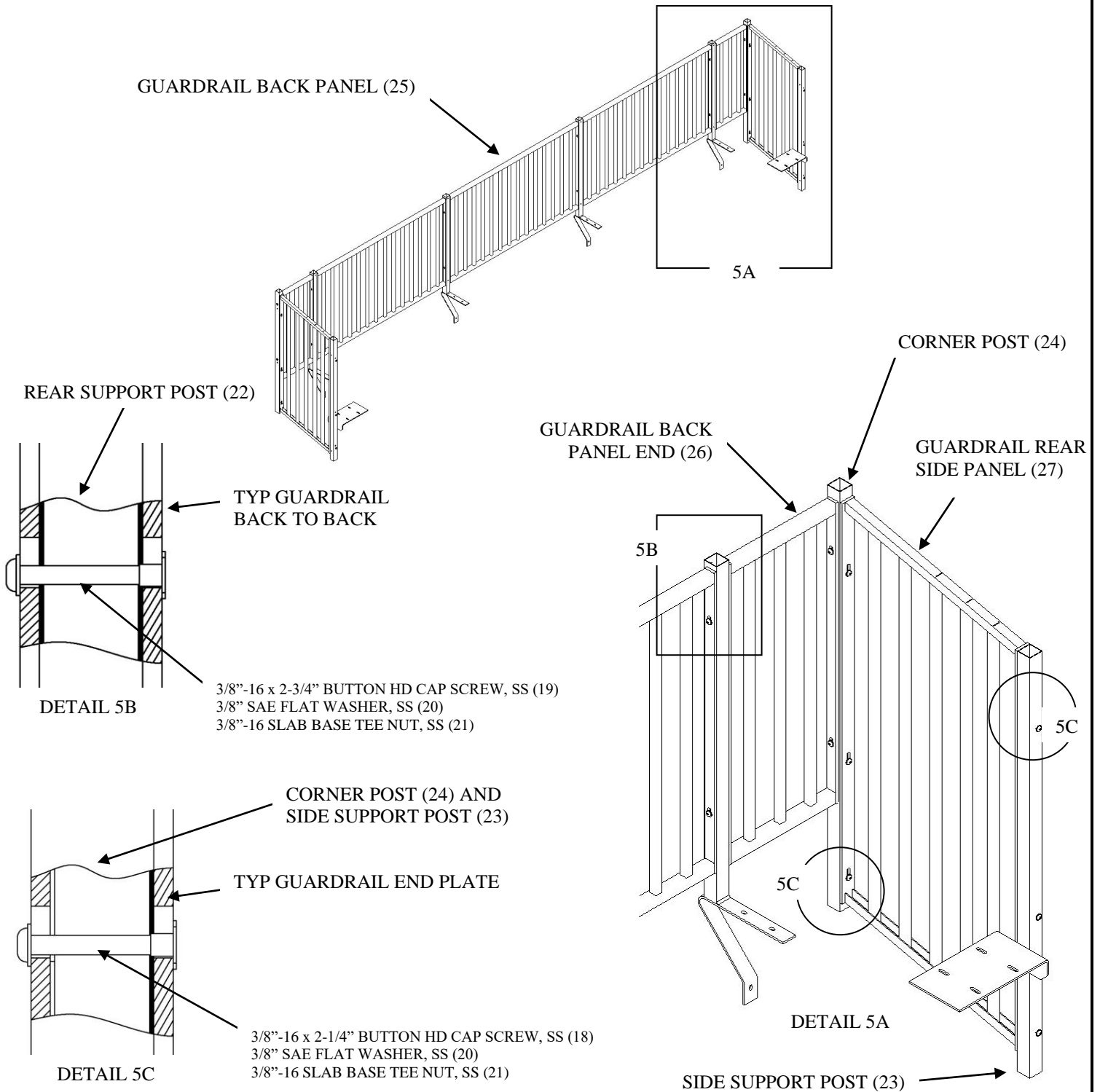
d) Install Guardrail Side Support Post:



- 1) Attach one guardrail side support (23) to the underside of the fourth seat plank, using the hardware shown above. Leave hardware finger tight to allow for future adjustment.
- 2) Repeat step 1 for the other side of bleacher.

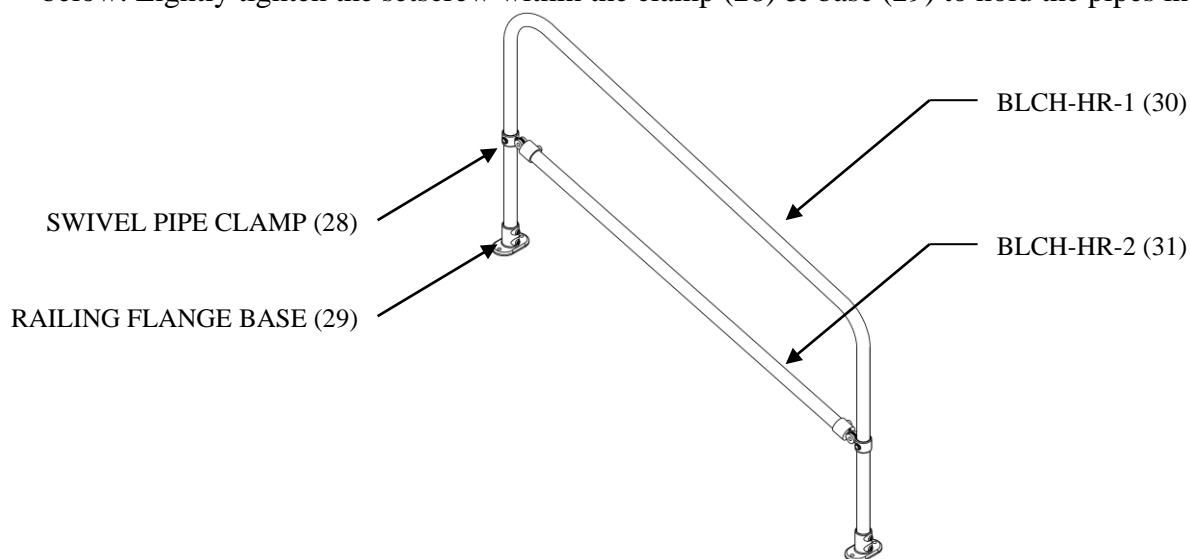
e) Install Guardrail Panels:

1. Install the back center panels (25) between the rear support posts as shown in Detail 5B.
2. Install both the back end panels (26) as shown. Attach one corner post (24) to the end of each end panel, using the hardware shown in Detail 5C.
3. Make adjustments to the support posts and enclosure panels as needed to achieve proper alignment.
4. Tighten all hardware attaching the enclosure panels. Next, securely tighten all hardware attaching the support posts.
5. Using a rubber mallet install tube caps (17) in the support post.



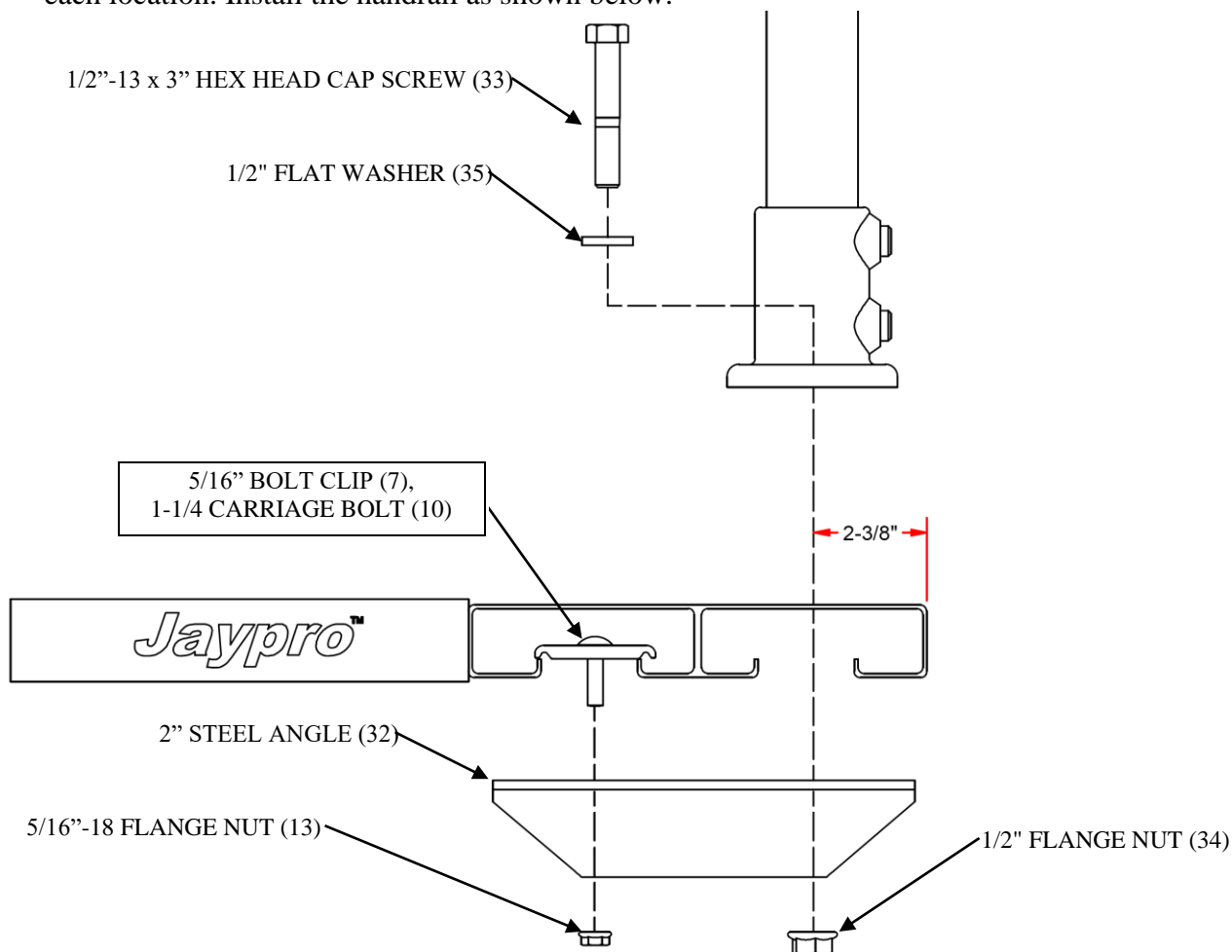
f) Assemble Handrail:

1) Insert the BLCH-HR pipes into the swivel pipe clamp (28) and railing flange base (29) as shown below. Lightly tighten the setscrew within the clamp (28) & base (29) to hold the pipes in place.



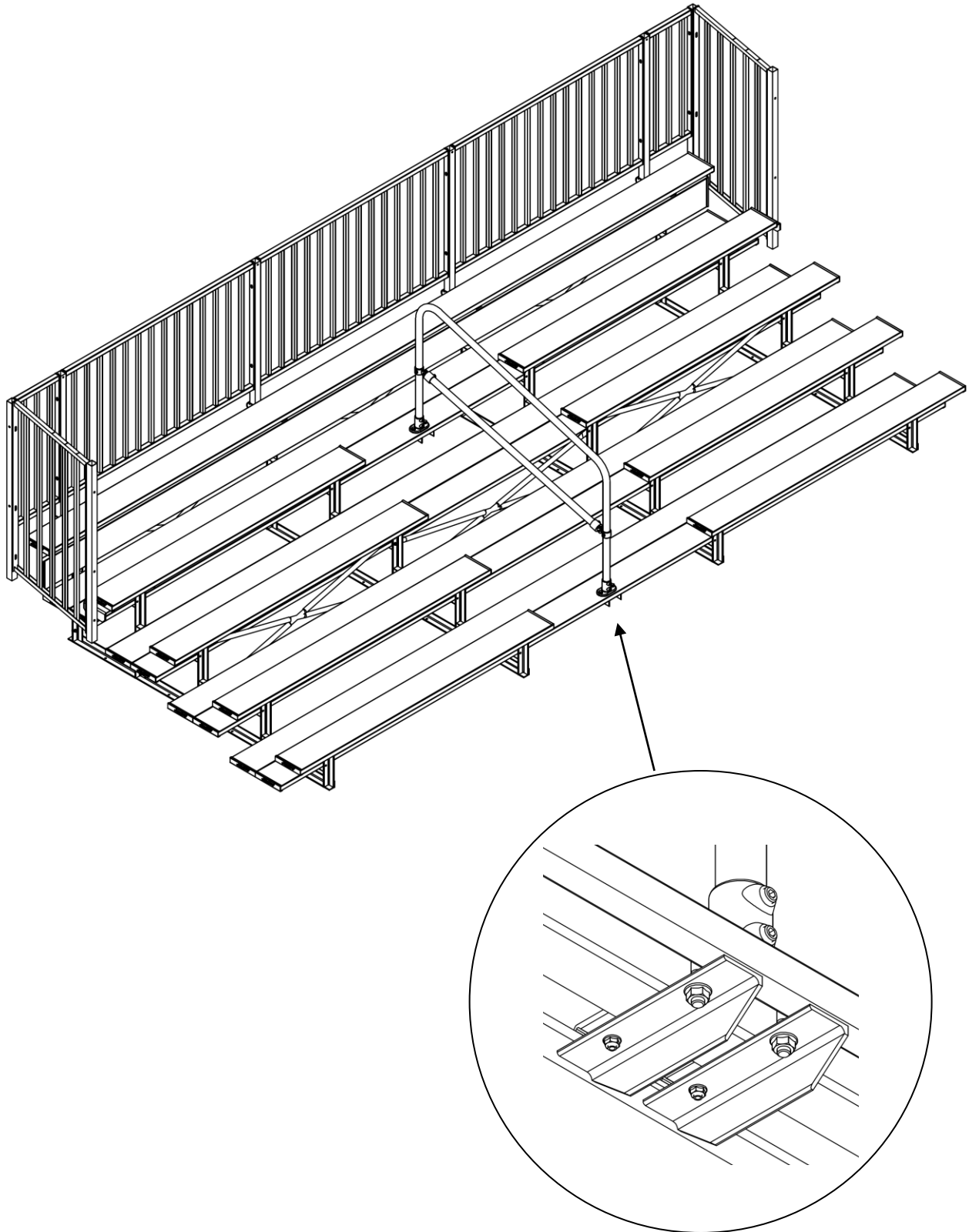
g) Install Handrail:

1) Stand the assemble handrail on the first and fourth foot plank. Locate the handrail along the midpoint of the aisle, with the center of the mounting flange about 2-3/8" from the front edge of the foot plank. Mark the center point of the four mounting holes and drill a 17/32" hole at each location. Install the handrail as shown below.



h) Final Inspection:

- 1) After the bleacher is assembled, thoroughly inspect the understructure and enclosure assemblies to ensure that all hardware is installed and secured.



---BLCH-521ASGR ---

(5-Row, 21 FT Bleacher with Guard Rail, Aisle & Handrail)

Installation Record

Installer - please provide the following information and fax a copy to (860) 440-0628:

Installer Name:	_____
Phone #:	_____
Date:	_____

G. C. Name:	_____
Phone #:	_____

Facility Name: (in which this system was installed)	_____
Address:	_____

Contact Name: (facility representative)	_____
Phone #:	_____

Call Jaypro Sports Equipment at 1-800-243-0533 during regular business hours for technical support.

www.jaypro.com

[This is the final page and the end of the installation portion of this manual.]