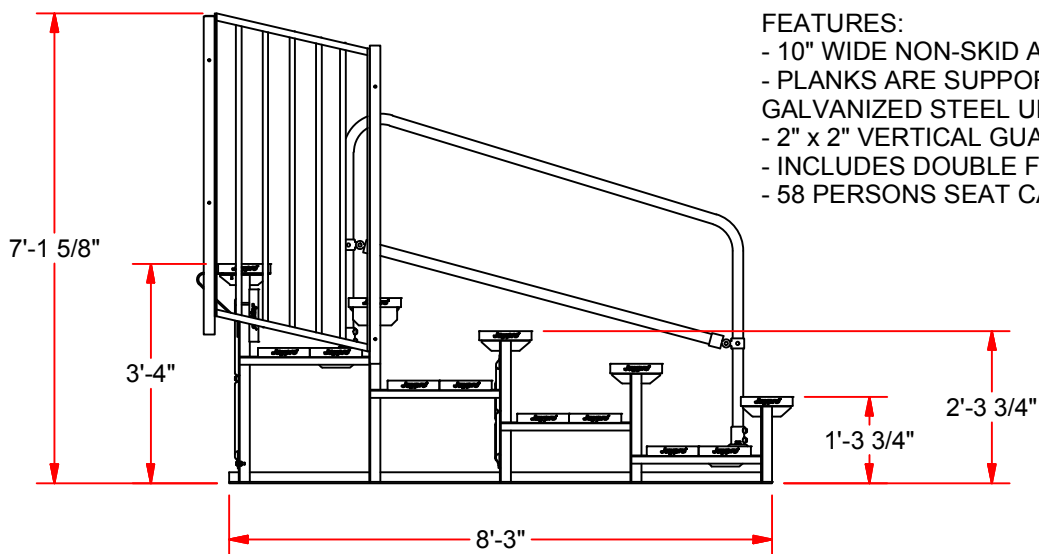
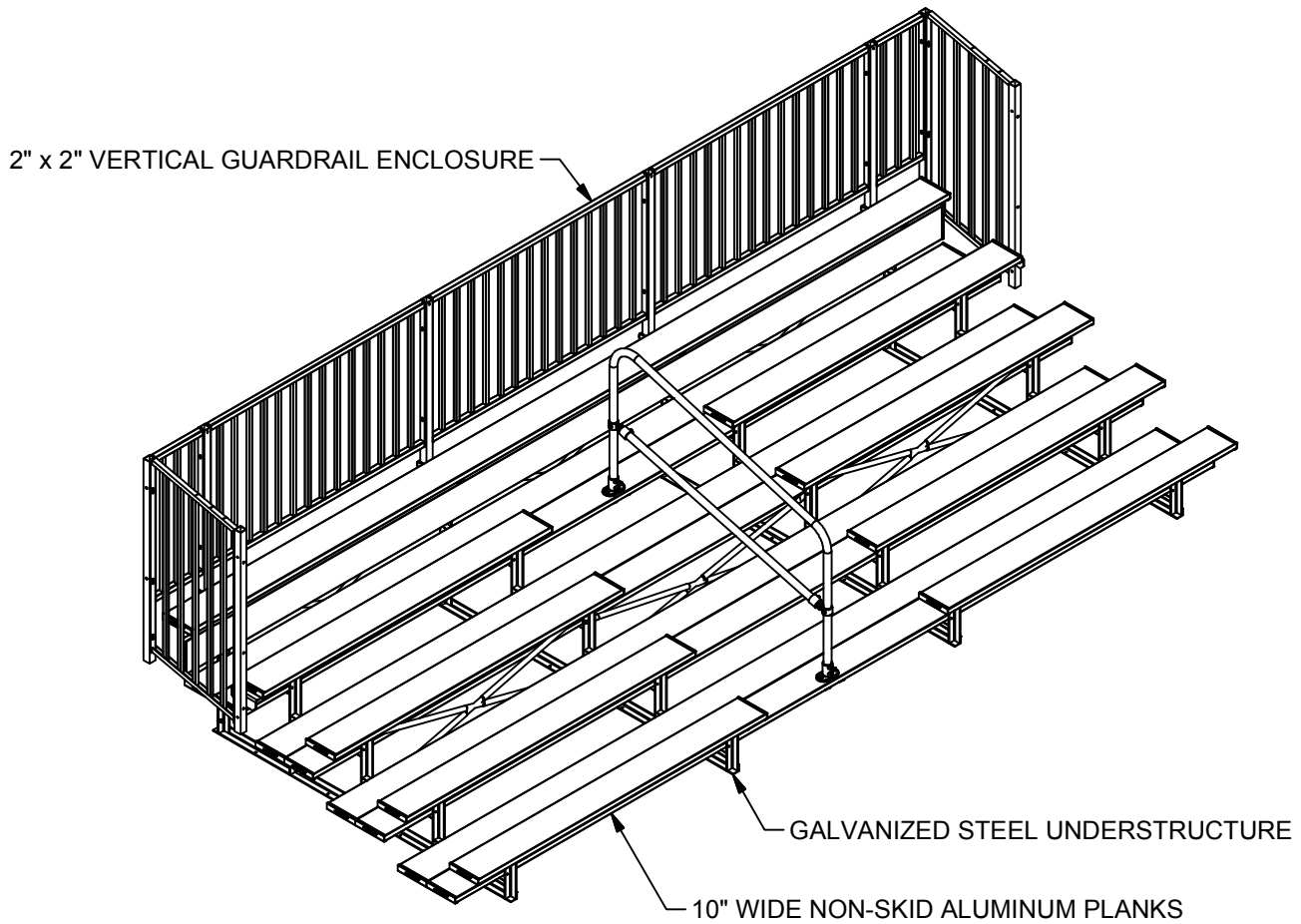


BLCH-521ASGR

GUARD RAIL W/ AISLE AND HANDRAIL



- FEATURES:
- 10" WIDE NON-SKID ALUMINUM PLANKS
 - PLANKS ARE SUPPORTED BY A STRONG GALVANIZED STEEL UNDERSTRUCTURE
 - 2" x 2" VERTICAL GUARDRAIL ENCLOSURE
 - INCLUDES DOUBLE FOOT PLANKS
 - 58 PERSONS SEAT CAPACITY FOR 21' WITH AISLE

**5 ROW 21 FT GUARD RAIL
w/ AISLE AND HANDRAIL**



PHONE:
800.243.0533 (TOLL FREE)
860.447.3001 (LOCAL)

FAX:
860.444.1773 (SALES)
860.440.0628 (ENG.)

INNOVATION, PERFORMANCE
AND COMMITMENT SINCE 1953

DRAWING NAME / PART NUMBER:

BLCH-521ASGR

DRAWN BY:

Moune T.

ISSUE DATE:

5/1/2014

CHKD BY:

WVB

CHK DATE:

5/1/2014

SHEET:

1 OF 1