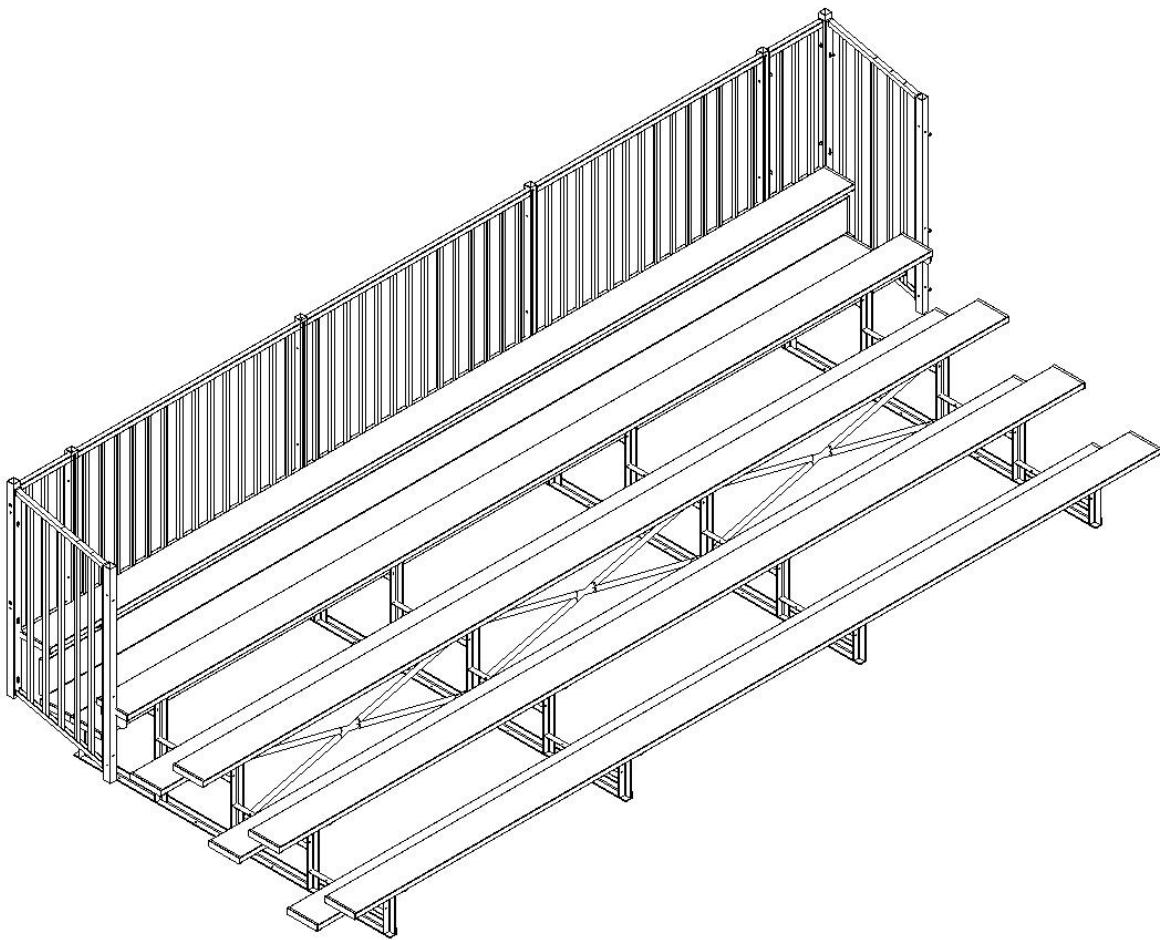




--- BLCH-5GR / BLCH-521GR / BLCH-527GR ---
(5-Row Bleacher with Guard Rail)
Installation Instructions



Call Jaypro Sports Equipment at 1-800-243-0533 during
regular business hours for technical support.

www.jaypro.com

***** Bleacher To Be Assembled by Qualified Personnel Only *****

Note:

- 1) Unpack all parts and check against parts list to ensure that all parts have been included.
- 2) Inspect all parts for damage. Report any damages to the trucking company.
- 3) These instructions are for assembling a 15 ft, 21 ft and 27 ft wide, 5-row bleacher. The part quantities listed are in order of 15 ft / 21 ft / 27 ft bleachers.

Part List

Item #	Quantity	Part Number	Part Description
SEATING COMPONENTS			
1	3/4/5	BLCH-5L	5-ROW BLEACHER LEG
2	4/6/8	BLCHX-80	X-BRACE x 80" L, 5 TH ROW
3	4/6/8	BLCHX-76	X-BRACE x 76" L, 3 RD ROW
4	11	AR5043 / AR5052 AR5139	STADIUM SEAT PLANK, 1 1/2" x 9 1/2" x 15 ft / 21 ft / 27 ft
SEATING HARDWARE			
5	71/95/113	AR5044	5/16" BOLT CLIP
6	22	AR5045A	SEAT PLANK END CAP
7	3/4/5	HB5030	5/16"-18 x 3" CARRIAGE BOLT, ZP
8	65/84/103	HB5054	5/16"-18 x 1-1/4" CARRIAGE BOLT, ZP
9	6/8/10	HB4078	5/16"-18 x 1-1/2" CARRIAGE BOLT, ZP
10	14/19/24	HN5042	3/8"-16 FLANGE HEX NUT, ZP
11	74/96/118	HN5046	5/16"-18 FLANGE HEX NUT, ZP
12	2/3/4	HS289	3/8"-16 x 2" HEX HD CAP SCREW, ZP
13	12/16/20	HS287	3/8"-16 x 1-1/4" HEX HD CAP SCREW, ZP
14	44	HS5035	#8 x 1/2" PHILLIPS PAN HD SCREW, SELF DRILL
GUARD RAIL HARDWARE			
15	11/12/13	EP0018	2" x 2" BLACK SQUARE TUBE CAP
16	16	HS5157	3/8"-16 x 2-1/4" BUTTON HD CAP SCREW, SS
17	6/8/10	HS5163	3/8"-16 x 2-3/4" BUTTON HD CAP SCREW, SS
18	22/24/26	HW2151	3/8" SAE FLAT WASHER, SS
19	22/24/26	HN5040	3/8"-16 SLAB BASE TEE NUT, SS
GUARD RAIL COMPONENTS: See Detail 5A pg. 7			
20	3/4/5	GR-RP	REAR SUPPORT POST
21	2	GR-SP	SIDE SUPPORT POST
22	2	GR-CP	CORNER POST
23	2/3/4	GR-B	BACK PANEL
24	2	GR-F / GR-H*	END PANEL
25	2	GR-S	SIDE PANEL

*GR-H End Panel used on 27 ft bleachers.

***** Bleacher To Be Assembled by Qualified Personnel Only *****

Important Notes

- Follow all warning signs and labels on equipment. Use of this equipment other than intended, may be hazardous.
- Before each use check equipment for proper connecting hardware and structural integrity of major components. Replace damaged or missing hardware immediately.
- This bleacher meets the guidelines set up for bleacher safety by the U.S. Consumer Product Safety Commission, Pub. No 330. Accordingly, rows 5 thru 10 have double foot planks and a back riser plank.
- Annual inspection and maintenance of bleachers is necessary to ensure continued safe use. Inspection and maintenance should be performed at the beginning of each season. Contact Jaypro to schedule a field maintenance visit from one of our highly trained specialists if you are unwilling or unable to perform the regular maintenance yourself.

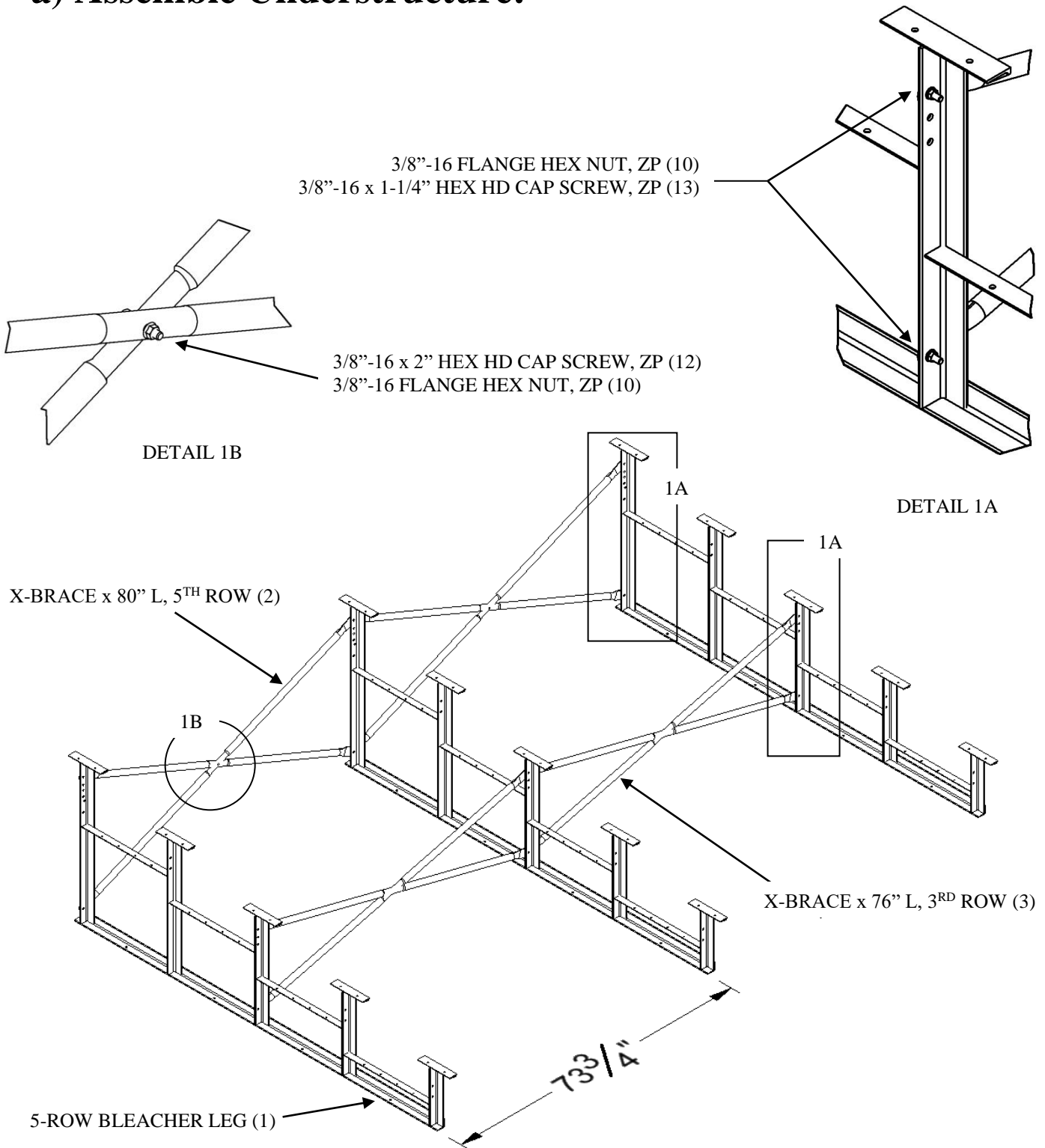
Required Tools

- 1/2" and 9/16" Box Wrench
- 1/2" and 9/16" Socket Wrench
- 7/32" Hex Allen Wrench
- Electric Drill with Phillips Head Bit
- Rubber Mallet

Important Installation Instruction Note

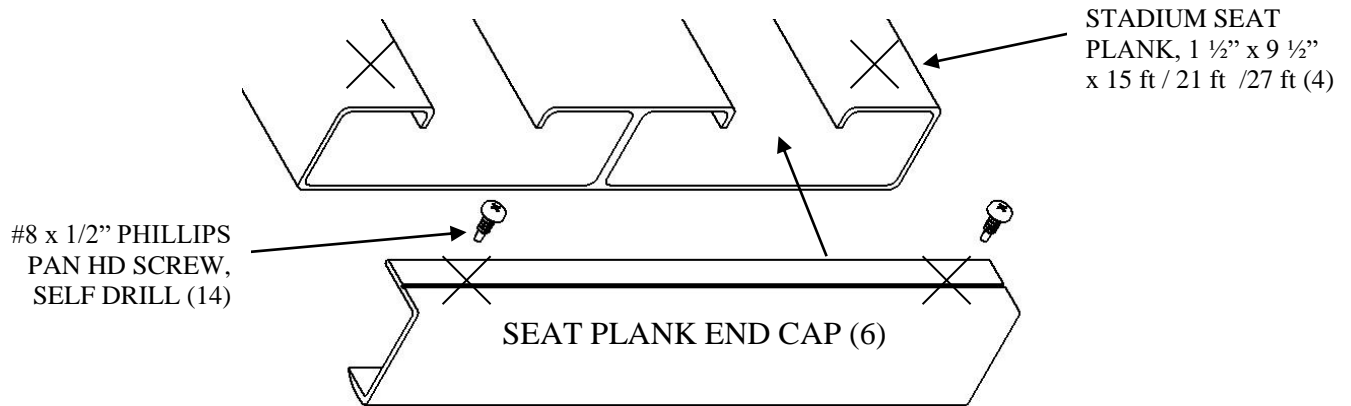
- 1) Bleacher must be located on flat firm ground, preferably on a concrete or crushed stone pad. When placed on bear ground it is recommended that bleacher be installed on treated 2"x 6" wood stringers.
- 2) These instructions are for assembling both a 15 ft, 21 ft and 27 ft wide, 5-row bleacher. The 15 ft bleacher has 3 frames while the 21 ft has 4 frames and 27 ft has 5 frames.
- 3) This bleacher uses two different length braces. Brace lengths are measure from hole to hole.

a) Assemble Understructure:



- 1) Assemble the lower 5-Row frame. Lay out 3, 4 or 5 of the 5-row frames (1) roughly 6 ft apart. Attach the 76" cross-bracing (3) to the third row vertical of each frame using the hardware shown in Detail 1A. Attach the 80" cross-bracing (2) to the rear support member, using the top and bottom holes. Use hardware as shown in Detail 1B (tighten hardware only finger tight until entire base frame is assembled). Ensure that the overall frame is square and all frame sections are in-line and then securely tighten all hardware.

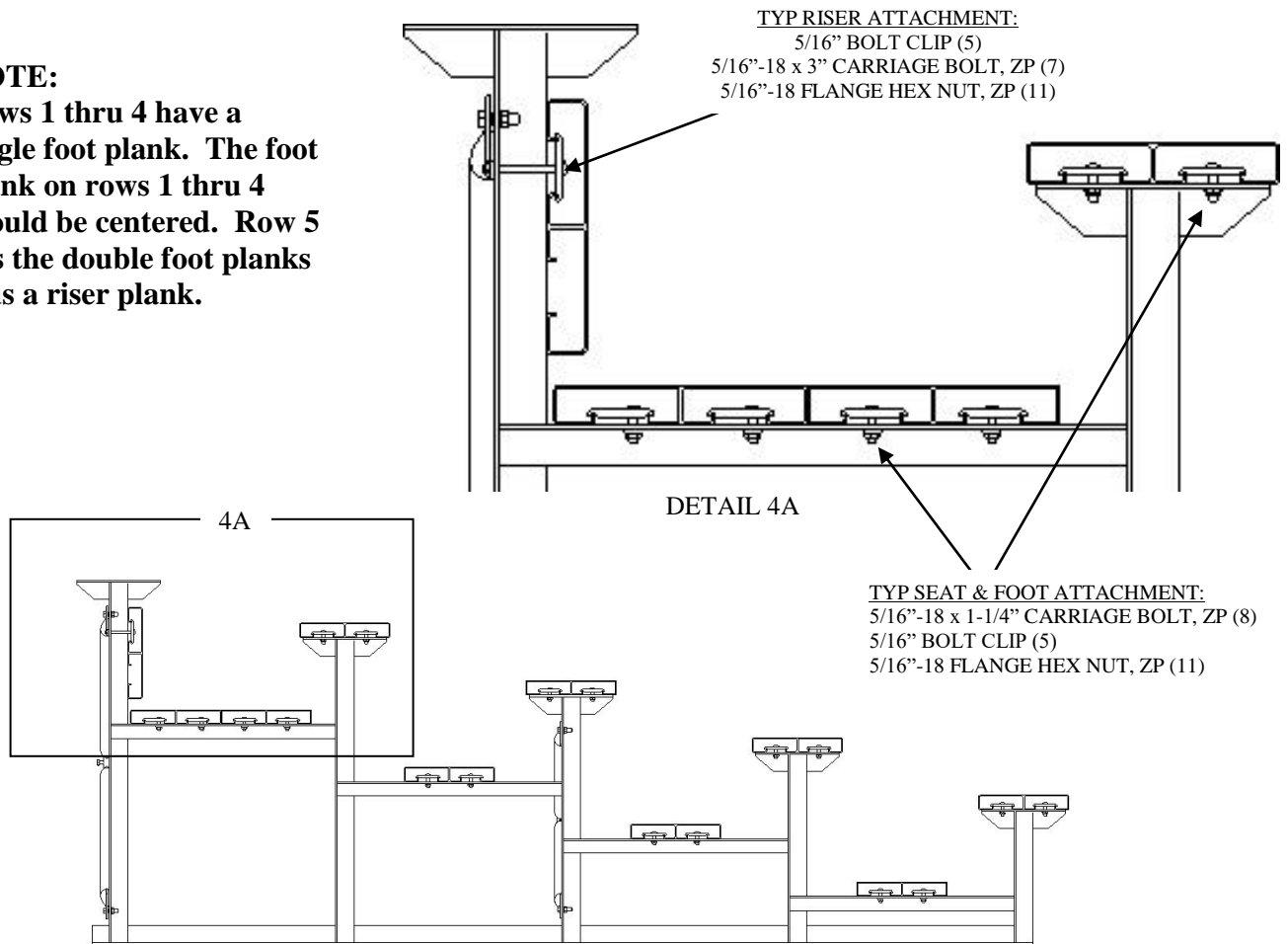
b) Install Seating, Foot and Riser Planks:



- 1) Install safety end caps on each end of all planks as shown above. Lightly tap end cap onto plank using a rubber mallet.

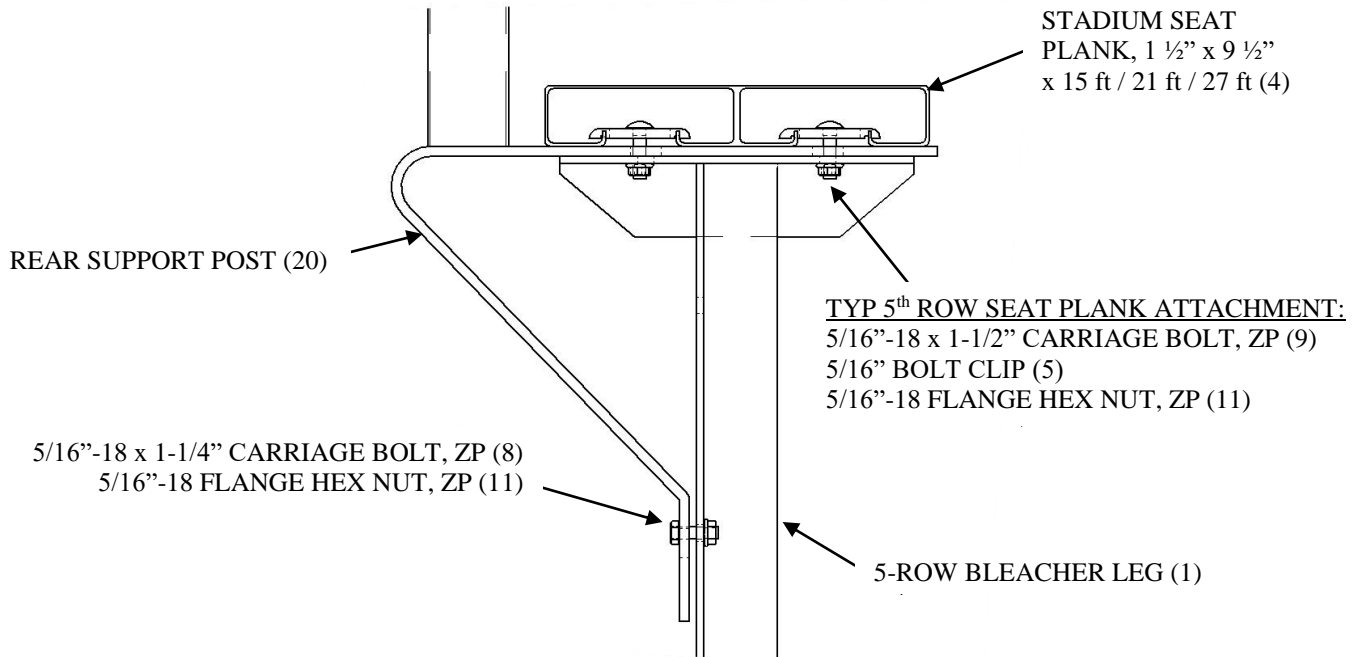
NOTE:

Rows 1 thru 4 have a single foot plank. The foot plank on rows 1 thru 4 should be centered. Row 5 has the double foot planks plus a riser plank.



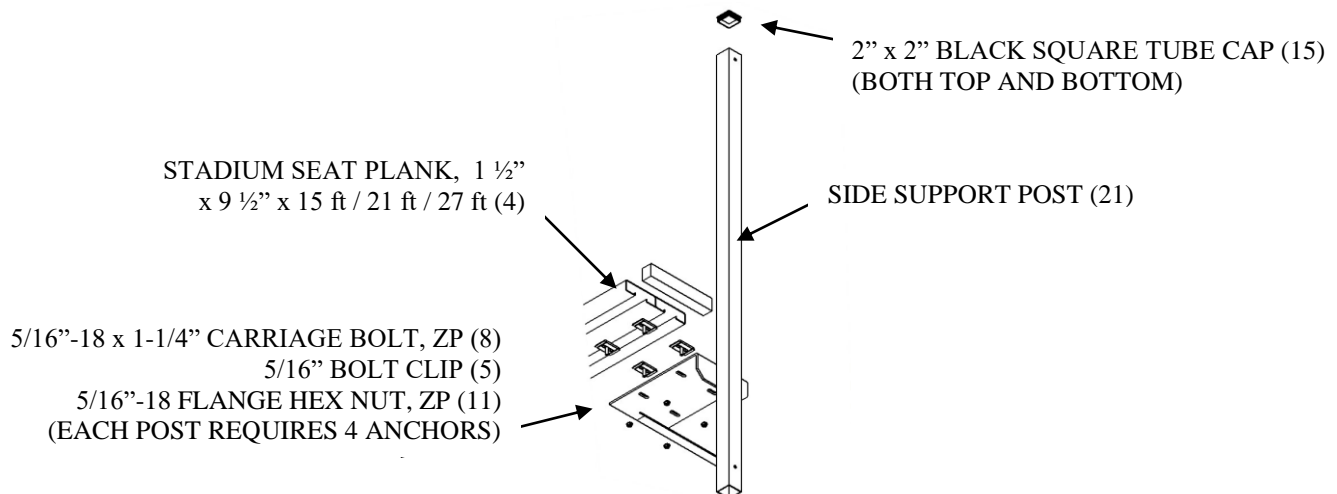
- 2) Working backwards from the first row, install all seating planks and foot planks as shown in Detail 4A. Ensure that all planks are center on the understructure frame, making sure the overhang on each end is an equal distance.
- 3) Install a riser plank on rows 5.
- 4) Do not anchor the 5th row seat plank at this point.

c) Install Guardrail Rear Support Posts:



- 1) Install one guardrail rear support post (20) at the rear of each frame as shown above, inserting the mounting flange for the support post between seat plank (4) and frame (1) (tighten hardware only finger tight at the point).
- 2) Install the hardware securing the vertical mounting flange of the guardrail support post to the frame, as shown above.

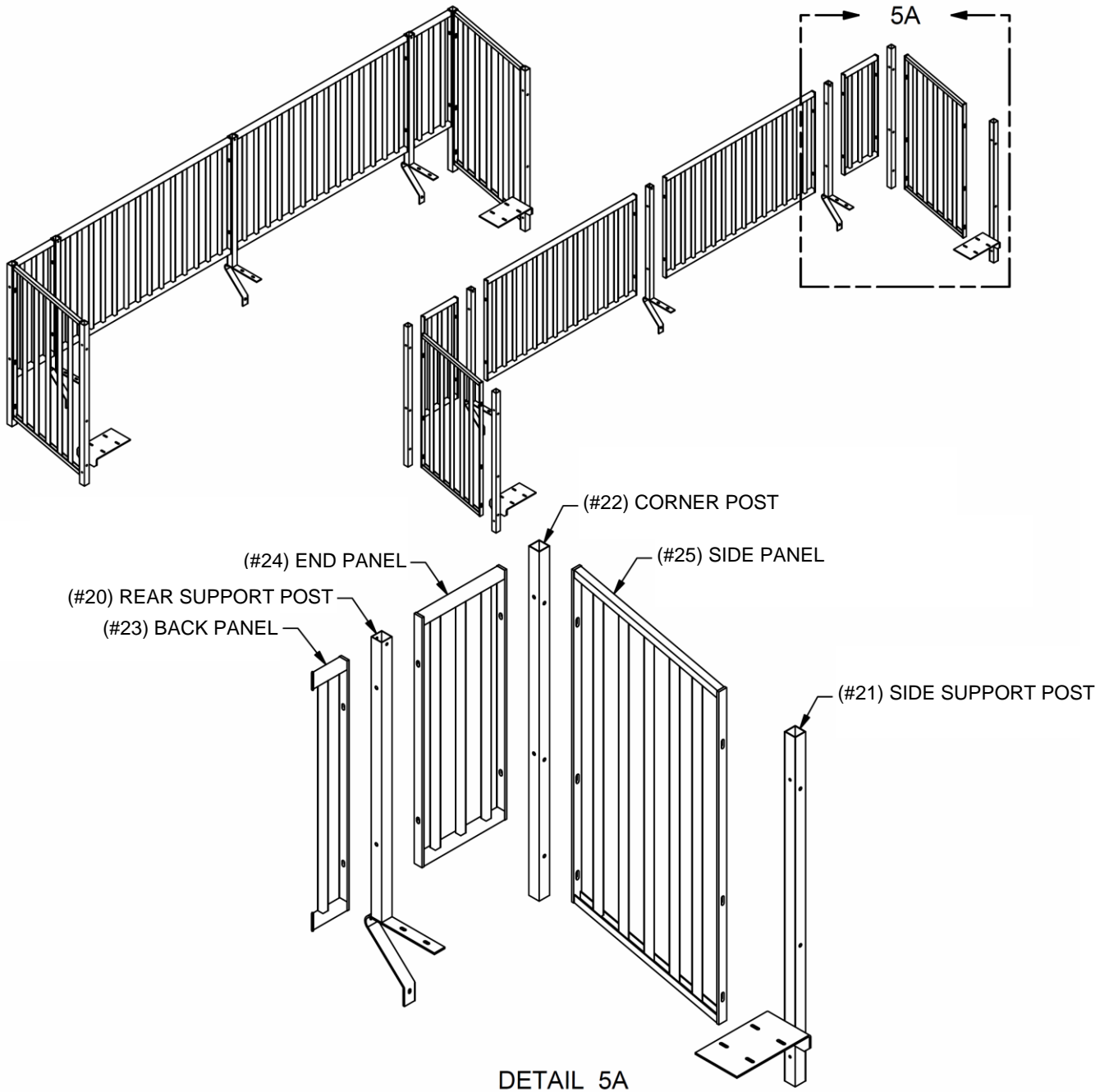
d) Install Guardrail Side Support Post:



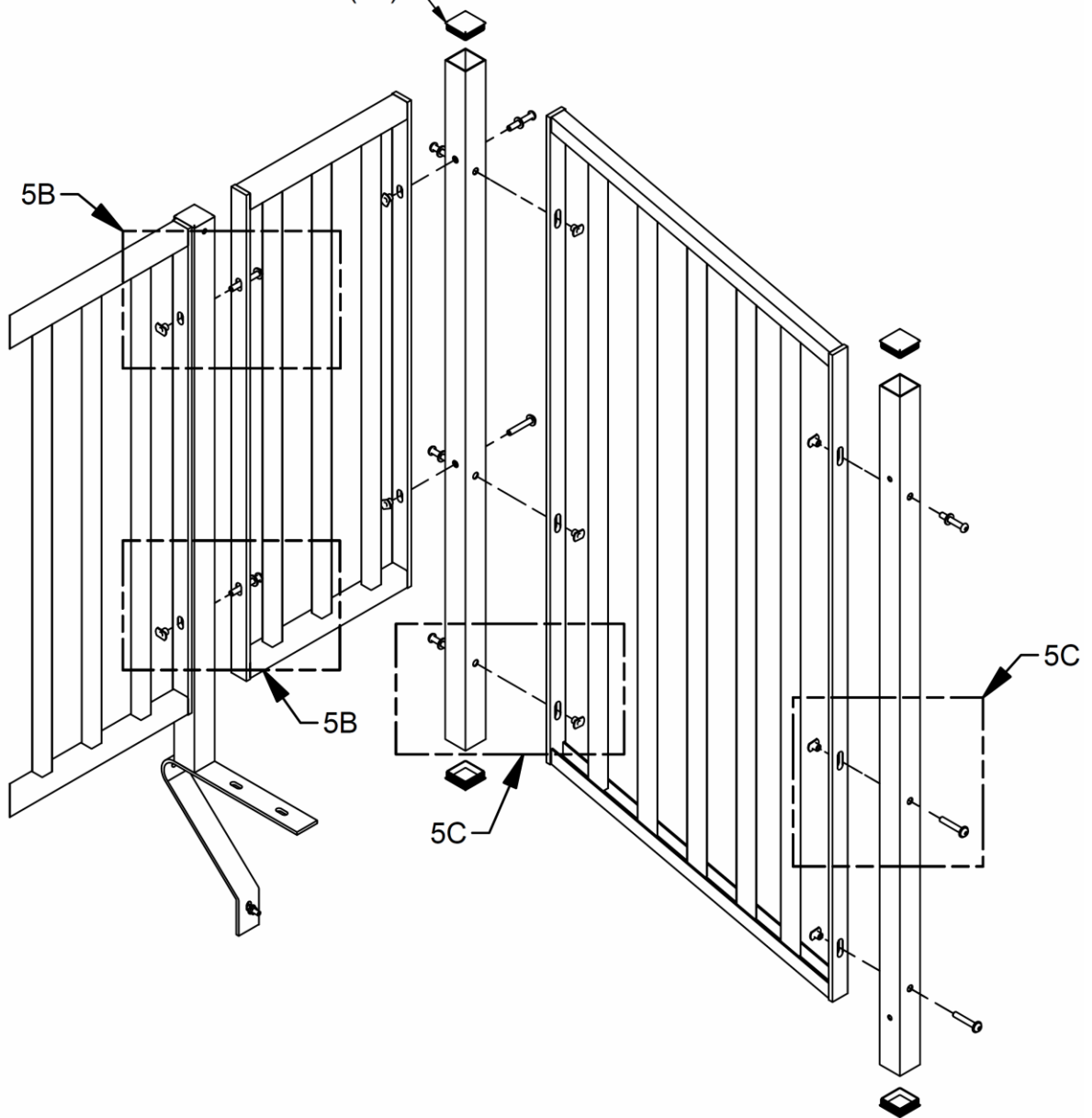
- 1) Attach one guardrail side support (21) to the underside of the fourth seat plank, using the hardware shown above. Leave hardware finger tight to allow for future adjustment.
- 2) Repeat step 1 for the other side of bleacher.

e) Install Guardrail Panels:

1. Install the back center panels (22) between the rear support posts as shown in Detail 5B.
2. Install both the back end panels (23) as shown. Attach one corner post (21) to the end of each end panel, using the hardware shown in Detail 5C. Note 27 ft has different panel.
3. Make adjustments to the support posts and enclosure panels as needed to achieve proper alignment.
4. Tighten all hardware attaching the enclosure panels. Next, securely tighten all hardware attaching the support posts.
5. Using a rubber mallet install tube caps (14) in the support post.

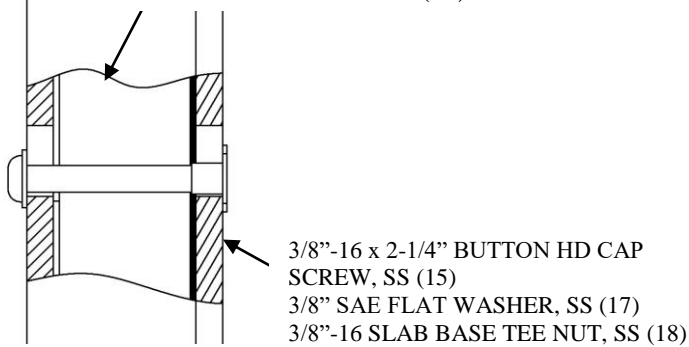


2" x 2" BLACK SQUARE TUBE CAP (15)

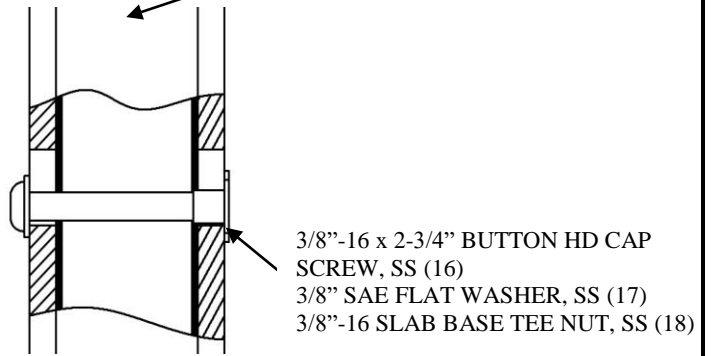


CORNER POST (21) AND
SIDE SUPPORT POST (20)

REAR SUPPORT POST (19)



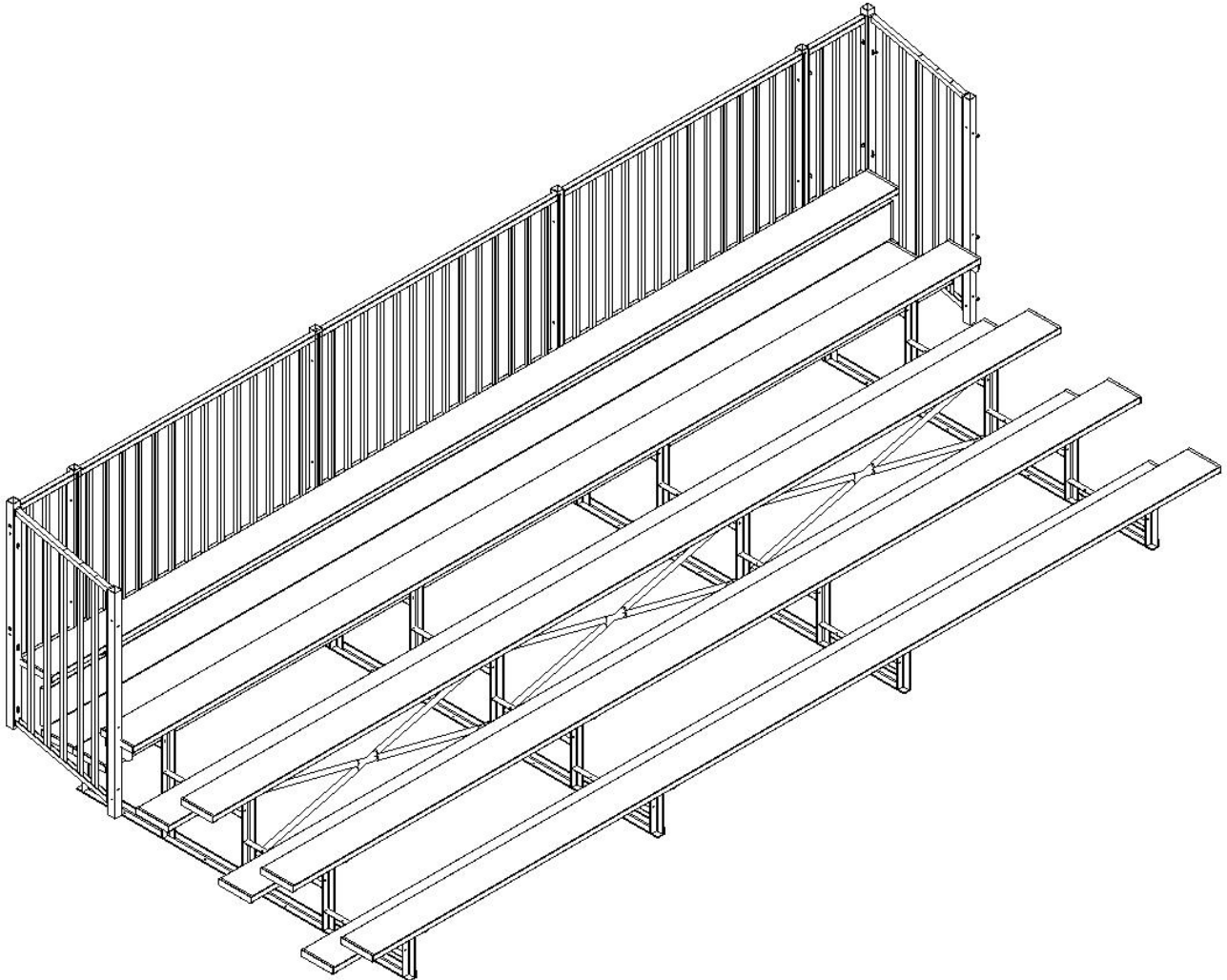
DETAIL 5B
(TYP. GUARDRAIL
BACK TO BACK)
FOR 15' AT 6 PLACE
FOR 21' AT 8 PLACE
FOR 27' AT 10 PLACE



DETAIL 5C
(TYP GUARDRAIL END
PLATE)
FOR 15' AT 16 PLACE
FOR 21' AT 16 PLACE
FOR 27' AT 16 PLACE

f) Final Inspection:

1) After the bleacher is fully assembled, thoroughly inspect the understructure and enclosure assemblies to ensure that all hardware is installed and secured.



21 ft bleacher shown above

Call Jaypro Sports Equipment at 1-800-243-0533 during

--- BLCH-5GR / BLCH-521GR / BLCH-527GR ---
(Five-Row Bleacher)
Installation Record

Installer - please provide the following information and fax a copy to (860) 440-0628:

Installer Name:	_____
Phone #:	_____
Date:	_____

G. C. Name:	_____
Phone #:	_____

Facility Name: (in which this system was installed)	
Address:	_____

Contact Name: (facility representative)	
Phone #:	_____

Call Jaypro Sports Equipment at 1-800-243-0533 during
regular business hours for technical support.

www.jaypro.com

[This is the final page and the end of the installation portion of this manual.]