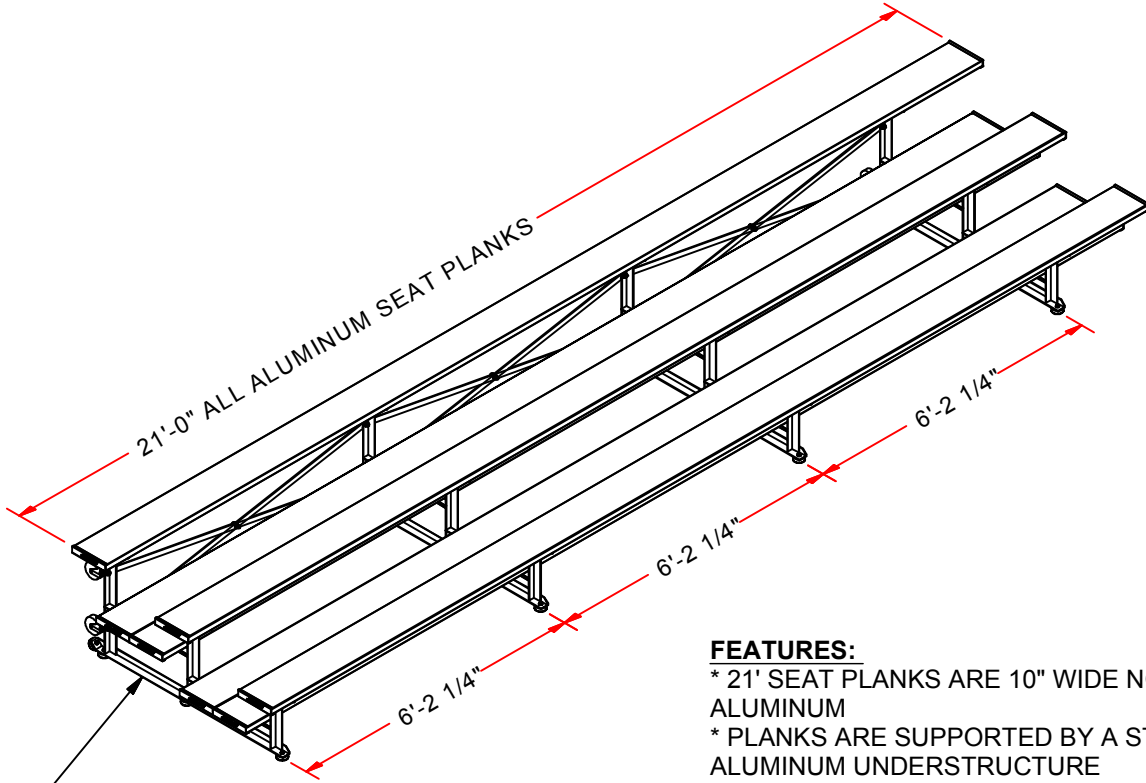


# BLDP-321TRG

## 21' PREFERRED TIP & ROLL BLEACHER

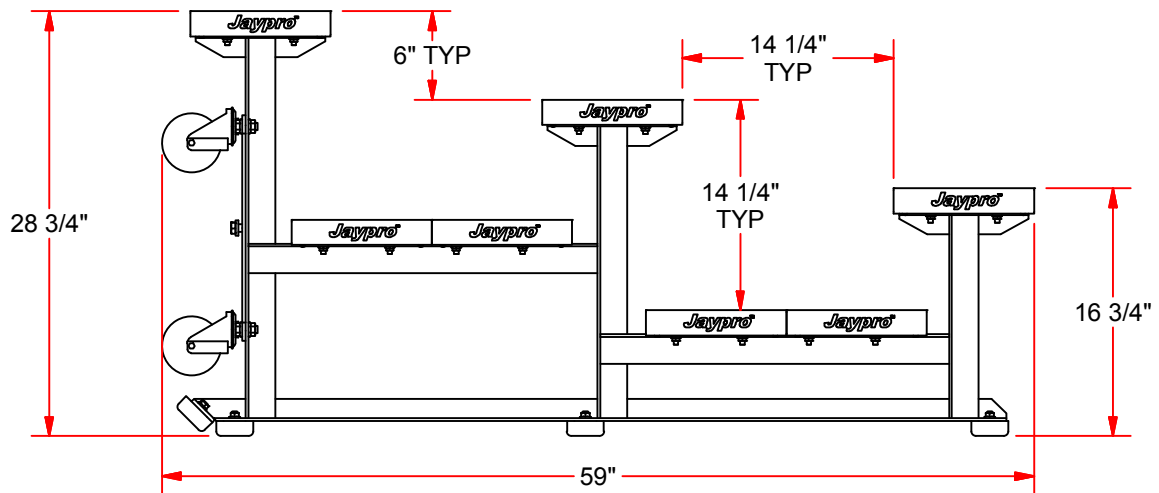


**FEATURES:**

- \* 21' SEAT PLANKS ARE 10" WIDE NON-SKID ALUMINUM
- \* PLANKS ARE SUPPORTED BY A STRONG, ALUMINUM UNDERSTRUCTURE
- \* ADDITION OF DOUBLE FOOT PLANKS
- \* EACH LEG SITS ON 3 STURDY RUBBER FEET
- \* BLEACHER ROLLS ON (6) 4" DIA HEAVY DUTY CASTER WHEELS

**OPTIONS:**

- \* CUSTOM POWDER COATED COLORS



REV.	DESCRIPTION	DATE	BY
-	INITIAL RELEASE	7/7	MT

**BLDP-321TRG**  
21' PREFERRED TIP & ROLL BLEACHER

COPYRIGHT 2006  
JAYPRO SPORTS, LLC.  
ALL RIGHTS RESERVED

THIS PRINT IS THE PROPERTY OF JAYPRO SPORTS, LLC.  
AND MAY NOT BE REPRODUCED WITHOUT WRITTEN PERMISSION

www.jaypro.com

FAX: 860.444.1779 (SALES)  
860.440.0628 (ENG.)

PHONE: 800.243.0533 (TOLL FREE)  
860.447.3001 (LOCAL)

JAYPRO SPORTS, LLC, 976 HARTFORD TURNPIKE, WATERFORD, CT 06385 USA

DRAWING NAME / PART NUMBER: <b>BLDP-321TRG</b>	
DRAWN BY: Moune T.	ISSUE DATE: 7/7/2010
CHK'D BY: WVB	CHK'D DATE: 11/14/2012
SHEET: 1 OF 1	REV.: -