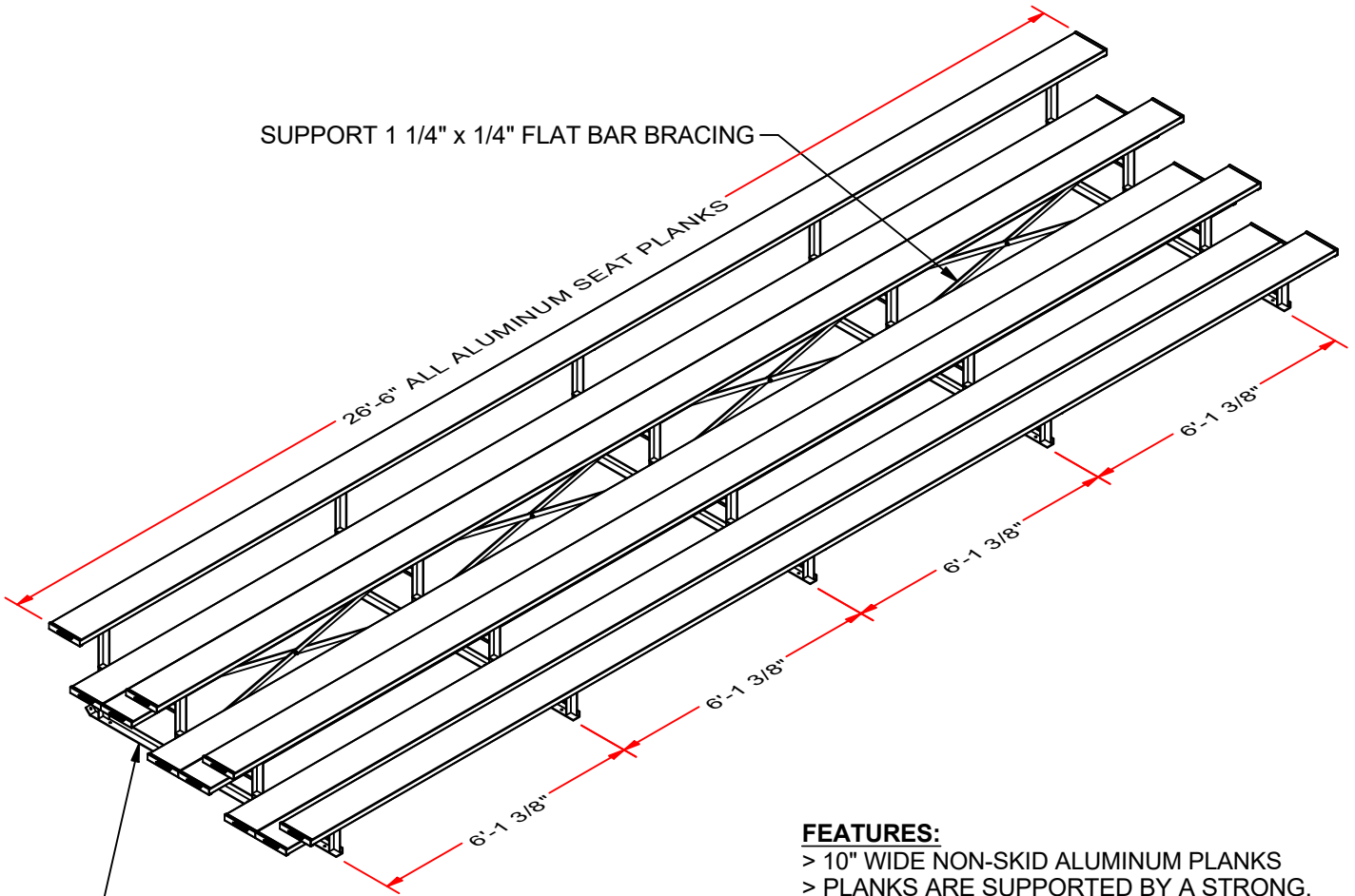




BLDP-427AL 27' PREFERRED ALUMINUM BLEACHER



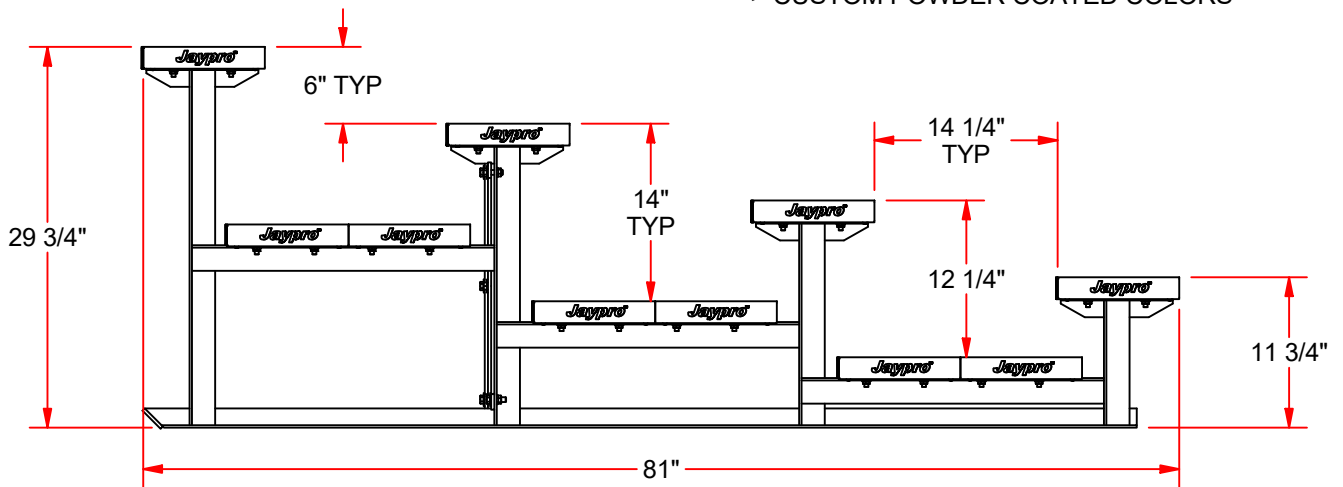
ALUMINUM UNDER STRUCTURE
MADE OF 2" x 1 1/2" x 3/16" ANGLE

FEATURES:

- > 10" WIDE NON-SKID ALUMINUM PLANKS
- > PLANKS ARE SUPPORTED BY A STRONG, ALUMINUM UNDERSTRUCTURE
- > ADDITION OF DOUBLE FOOT PLANKS

OPTIONS:

- > CUSTOM POWDER COATED COLORS



BLDP-427AL

27' PREFERRED ALUMINUM BLEACHER

© COPYRIGHT 2017 JAYPRO SPORTS, LLC. ALL RIGHTS RESERVED
THIS PRINT IS THE PROPERTY OF JAYPRO SPORTS, LLC. AND MAY
NOT BE REPRODUCED WITHOUT WRITTEN PERMISSION

www.jaypro.com
(800) 243-0533
976 Hartford Turnpike
Waterford, CT 06385 USA

Sheet 1 of 1