



--- BLPS-84 ---
(BIG LEAGUE PITCHER'S SAFETY PROTECTOR)
Installation Instructions



Call Jaypro Sports Equipment at 1-800-243-0533
during regular business hours for technical support.

www.jaypro.com

JAYPRO SPORTS

BLPS-84, 8' x 8' BIG LEAGUE PITCHER'S SAFETY PROTECTOR

IMPORTANT NOTICE:

- 1) BEFORE EACH USE CHECK EQUIPMENT FOR PROPER CONNECTING HARDWARE AND STRUCTURAL INTEGRITY. REPLACE DAMAGED OR MISSING HARDWARE IMMEDIATELY.
- 2) USE OF THIS EQUIPMENT OTHER THAN INTENDED, MAY BE HAZARDOUS.
- 3) ALTERATION OR MODIFICATION OF THIS EQUIPMENT MAY BE HAZARDOUS AND RESULT IN INJURY. FOR REPAIR OR REPLACEMENT, CONTACT YOUR DEALER OR JAYPRO SPORTS.

ASSEMBLY INSTRUCTIONS

TOOLS REQUIRED:

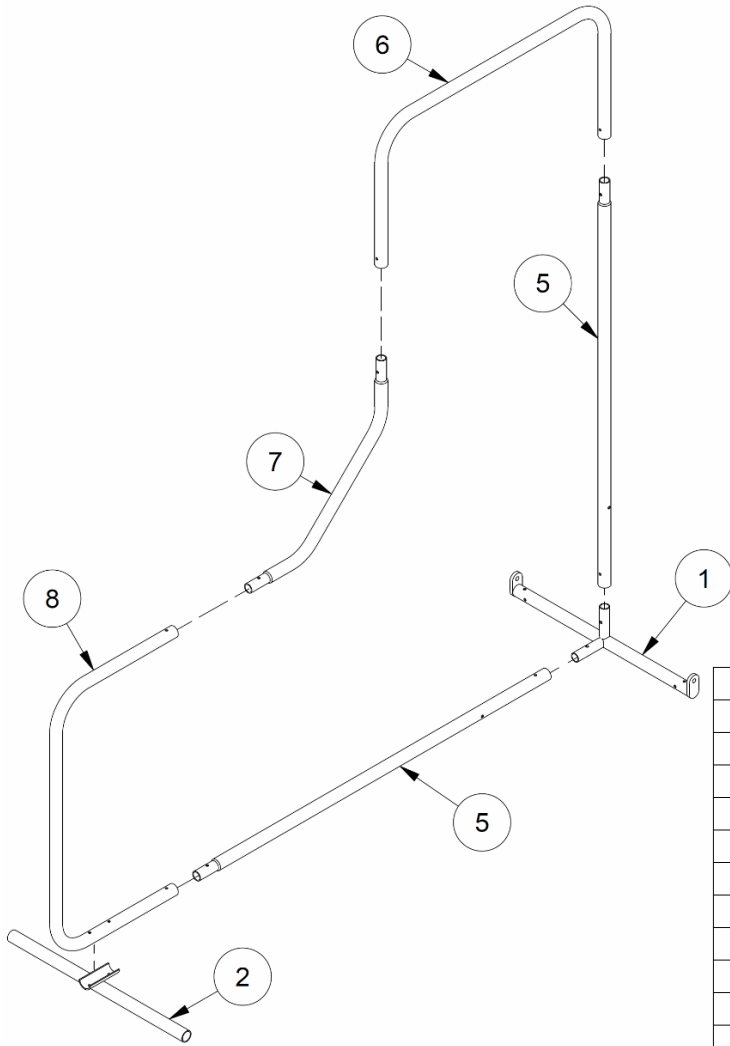
- (1) 9/16" & 15/16" Socket Wrench and Box Wrench
- (1) Rubber Mallet

Note: There are two different lengths of 3/8" hex head screws being used: 2-1/2" & 3". Pay close attention to select the correct length.

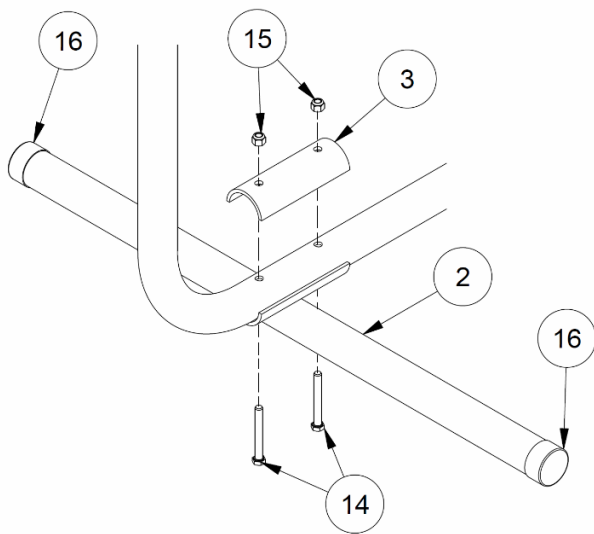
- Unpack all parts and check against parts list to ensure that all have been included.
- Inspect all parts for damage. Report any damages to the trucking company.

1	1	WHEEL BASE FRAME
2	1	FRONT BASE SUPPORT
3	1	S-CONNECTOR
4	4	BIG LEAGUE SUPPORT
5	2	STRAIGHT FRAME PIPE
6	1	TOP FRAME PIPE
7	1	ELBOW
8	1	LOWER FRAME PIPE
9	2	WHEEL 10" x 4" NO FLAT TIRE
10	2	5/8"-11 x 3-1/2" LONG HEX HD BOLT
11	2	5/8"-11 NYLON LOCK NUT
12	4	5/8" WASHER
13	10	3/8"-16 x 2-1/2" LONG HEX HD BOLT
14	4	3/8"-16 x 3" LONG HEX HD BOLT
15	14	3/8"-16 NYLON LOCK NUT
16	2	1 1/2" END CAP
17	1	1/8" CORD (50 FT ROLL)
18	1	SAFE FOAM PADDING
19	1	#42 KNOTLESS NYLON DOUBLE-SIDED SLIP-ON NET
ITEM	QTY	DESCRIPTION

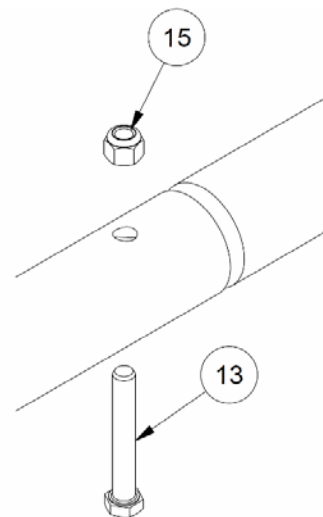
ASSEMBLE THE MAIN FRAME:



1	1	WHEEL BASE FRAME
2	1	FRONT BASE SUPPORT
3	1	S-CONNECTOR
5	2	STRAIGHT FRAME PIPE
6	1	TOP FRAME PIPE
7	1	ELBOW
8	1	LOWER FRAME PIPE
13	10	3/8"-16 x 2-1/2" LONG HEX HD BOLT
14	4	3/8"-16 x 3" LONG HEX HD BOLT
15	14	3/8"-16 NYLON LOCK NUT
16	2	1 1/2" END CAP
ITEM	QTY	DESCRIPTION

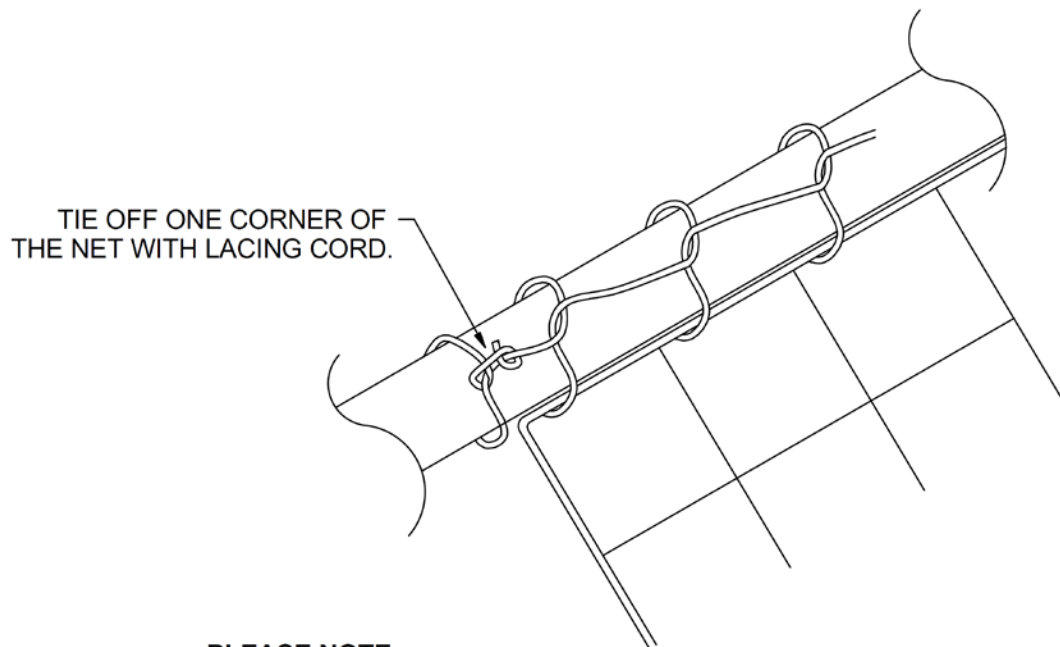


FRONT LEG ASSEMBLY



TYPICAL PIPE ASSEMBLY

INSTALL NET:



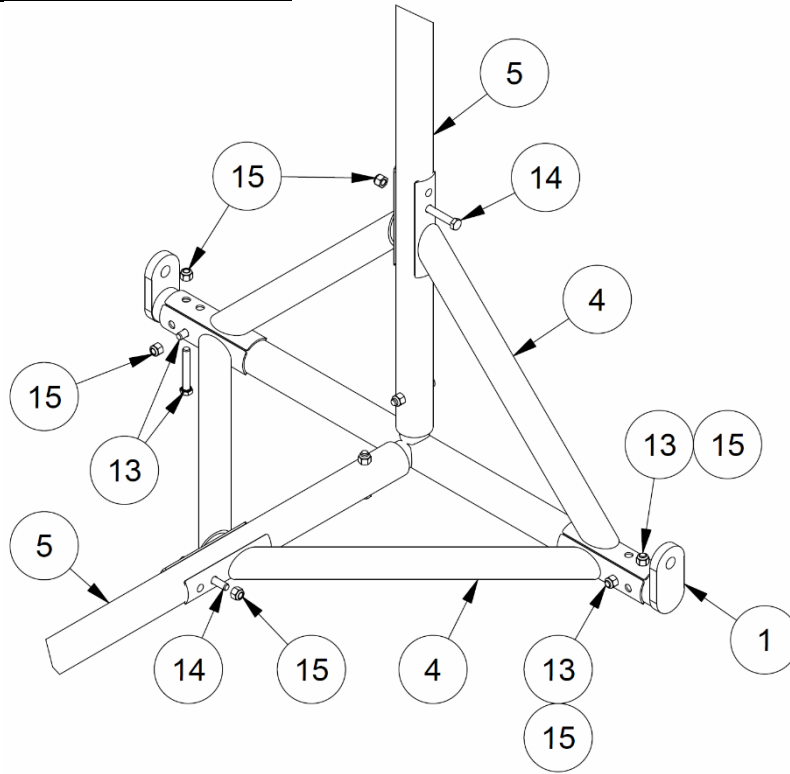
PLEASE NOTE:

- THE TYPE OF MATERIAL AND SIZE OF THE MESH WILL DETERMINE THE APPROPRIATE LACING DIMENSION.
- ALWAYS LACE CLOSE ENOUGH TO PREVENT THE PLAYING BALL FROM PASSING THROUGH ANY GAPS.
- USE HALF HITCH TYPE KNOTS ALONG THE LENGTH OF YOUR FRAME.
- DRAW EACH KNOT TIGHT BEFORE CONTINUING.

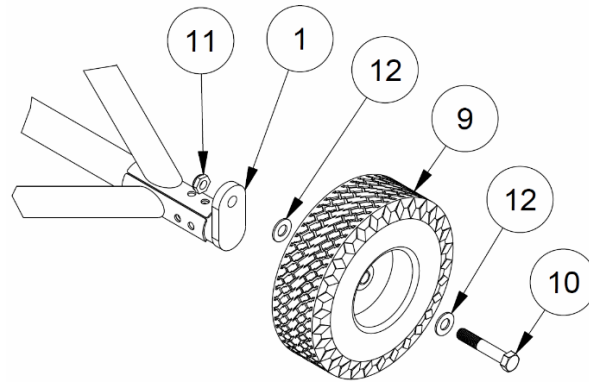
Figure: A

- 1) Note Optional Accessory: Wrap the safety padding around the inside corner of the frame for arm protection. Lace in place using the cord provided.
- 2) Lay the net out and identify the low side and open end. Slide the net over the top of the frame, placing the open end at the bottom of the screen. Lace the open end of the net with the cord provided, as shown in Figure A.

ASSEMBLE SUPPORT BRACE:



ASSEMBLE WHEEL:



1	1	WHEEL BASE FRAME
4	4	BIG LEAGUE SUPPORT
5	2	STRAIGHT FRAME PIPE
9	2	WHEEL 10" x 4" NO FLAT TIRE
10	2	5/8"-11 x 3-1/2" LONG HEX HD BOLT
11	2	5/8"-11 NYLON LOCK NUT
12	4	5/8" WASHER
13	10	3/8"-16 x 2-1/2" LONG HEX HD BOLT
14	4	3/8"-16 x 3" LONG HEX HD BOLT
15	14	3/8"-16 NYLON LOCK NUT
ITEM	QTY	DESCRIPTION