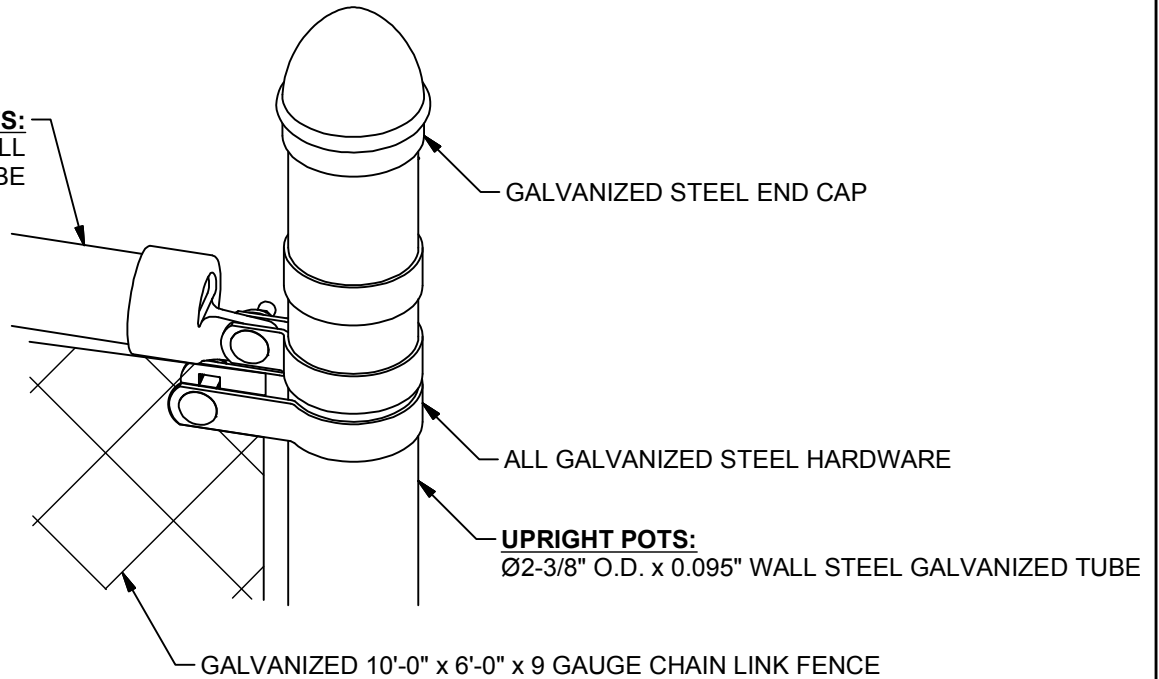


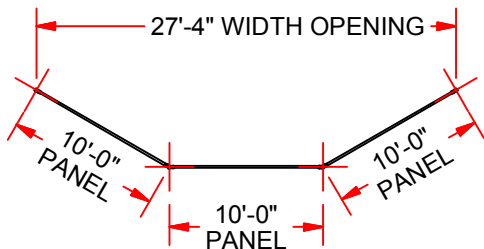
# BSP-30

## 3 PANELS

**HORIZONTAL SUPPORTS:**  
 Ø1.66" O.D. x 0.085" WALL  
 STEEL GALVANIZED TUBE

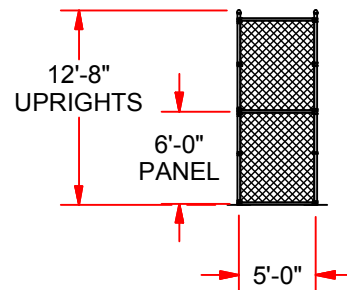
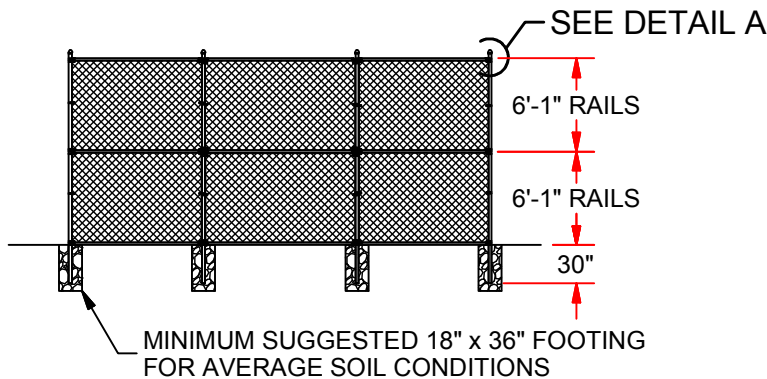


**DETAIL A**



**FEATURES:**

- \* UPRIGHT SECTIONS 10'-0" WIDE x 12' HIGH
- \* ALL PANELS GALVANIZED 10'-0" x 6'-0" x 9 GAUGE CHAIN LINK FENCE
- \* ALL GALVANIZED STEEL HARDWARE
- \* Ø2-3/8" O.D. x 0.095" WALL GALVANIZED STEEL TUBE
- \* Ø1-5/8" O.D. x 0.085" WALL GALVANIZED STEEL TUBE
- \* SHIPPING WEIGHT 552 LB / EACH



**BSP-30**  
 3 PANELS



PHONE:  
 800.243.0533 (TOLL FREE)  
 860.447.3001 (LOCAL)

FAX:  
 860.444.1779 (SALES)  
 860.440.0628 (ENG.)

DRAWING NAME / PART NUMBER:

**BSP-30**

DRAWN BY: Moune T.	ISSUE DATE: 1/30/2013
CHKD BY: WVB	CHK DATE: 1/31/2013
SHEET: 1 OF 1	