



**-- BSP-40-66 --**  
**(4 PANELS, 2 CENTERS)**  
**Installation Instructions**



Call Jaypro Sports Equipment at 1-800-243-0533  
during regular business hours for technical support.

[www.jaypro.com](http://www.jaypro.com)

**JAYPRO SPORTS**  
(4 PANELS, 2 CENTERS)

<b>BSP-40-66 PARTS LIST</b>		
<b>ITEM #</b>	<b>QTY</b>	<b>DESCRIPTION</b>
1	5	UPRIGHT FOR PERMANENT BASEBALL BACKSTOP
2	3	1-5/8" DOME CAP
3	16	1-5/8" O.D. x 113-1/2" LONG PIPE
4	5	2-1/2" DOME CAP
5	105	5/16" WASHER
6	105	5/16"-18 HEX NUT
7	105	5/16"-18 x 1-1/4" CARRIAGE BOLT
8	10	6' x 9'-8" CHAIN LINK PANEL
9	3	69" LONG LOWER FRAME SUPPORT
10	3	69" LONG UPPER FRAME SUPPORT
11	16	BAND TENSION (SMALL)
12	48	BAND TENSION 2-1/2" ID
13	20	3/16" THICK BAR TENSION
14	11	BRACE BAND (SMALL)
15	30	BRACE BAND 2-1/2" ID
16	32	RAIL ENDS 1-5/8" ID
17	110	RAIL TIE

**JAYPRO SPORTS**  
BASEBALL 4 PANEL; BSP-40-66  
INSTALLATION INSTRUCTIONS FOR  
PERMANENT BASEBALL BACKSTOPS

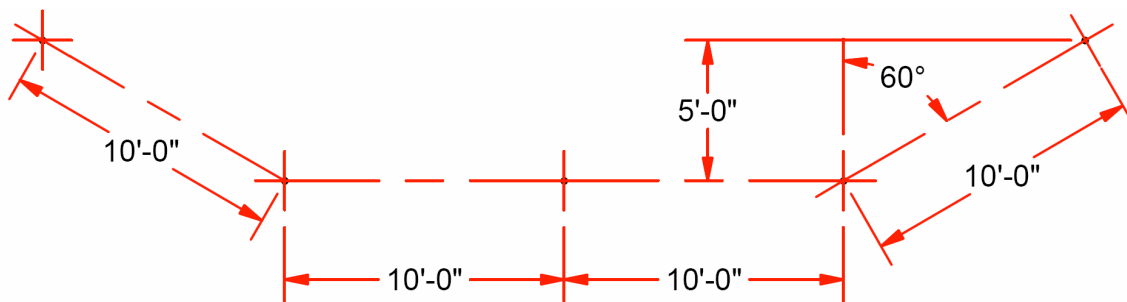
**IMPORTANT NOTICE:**

- 1) INSPECT FOR DAMAGE. REPORT ALL DAMAGES TO TRUCKING COMPANY.
- 2) BEFORE EACH USE CHECK EQUIPMENT FOR PROPER CONNECTING HARDWARE AND STRUCTURAL INTEGRITY. REPLACE DAMAGED OR MISSING HARDWARE IMMEDIATELY.
- 3) USE OF THIS EQUIPMENT OTHER THAN INTENDED, MAY BE HAZARDOUS.
- 4) ALTERATION OR MODIFICATION OF THIS EQUIPMENT MAY BE HAZARDOUS AND RESULT IN INJURY. FOR REPAIR OR REPLACEMENT, CONTACT YOUR DEALER OR JAYPRO SPORTS.

NOTE: FOR BEST RESULTS, THIS UNIT SHOULD BE INSTALLED BY A LOCAL CONTRACTOR WHO IS FAMILIAR WITH LOCAL CONDITIONS AND BUILDING CODES.

**Footing:**

1. Check local building codes before starting the footing, as building codes may vary. Local building codes should be adhered to if requirements are greater than those outlined here.
2. Space footing 10 ft on center as shown below.

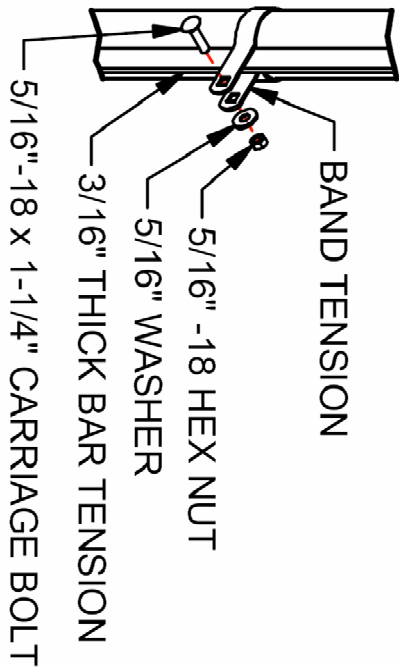


Footing Layout

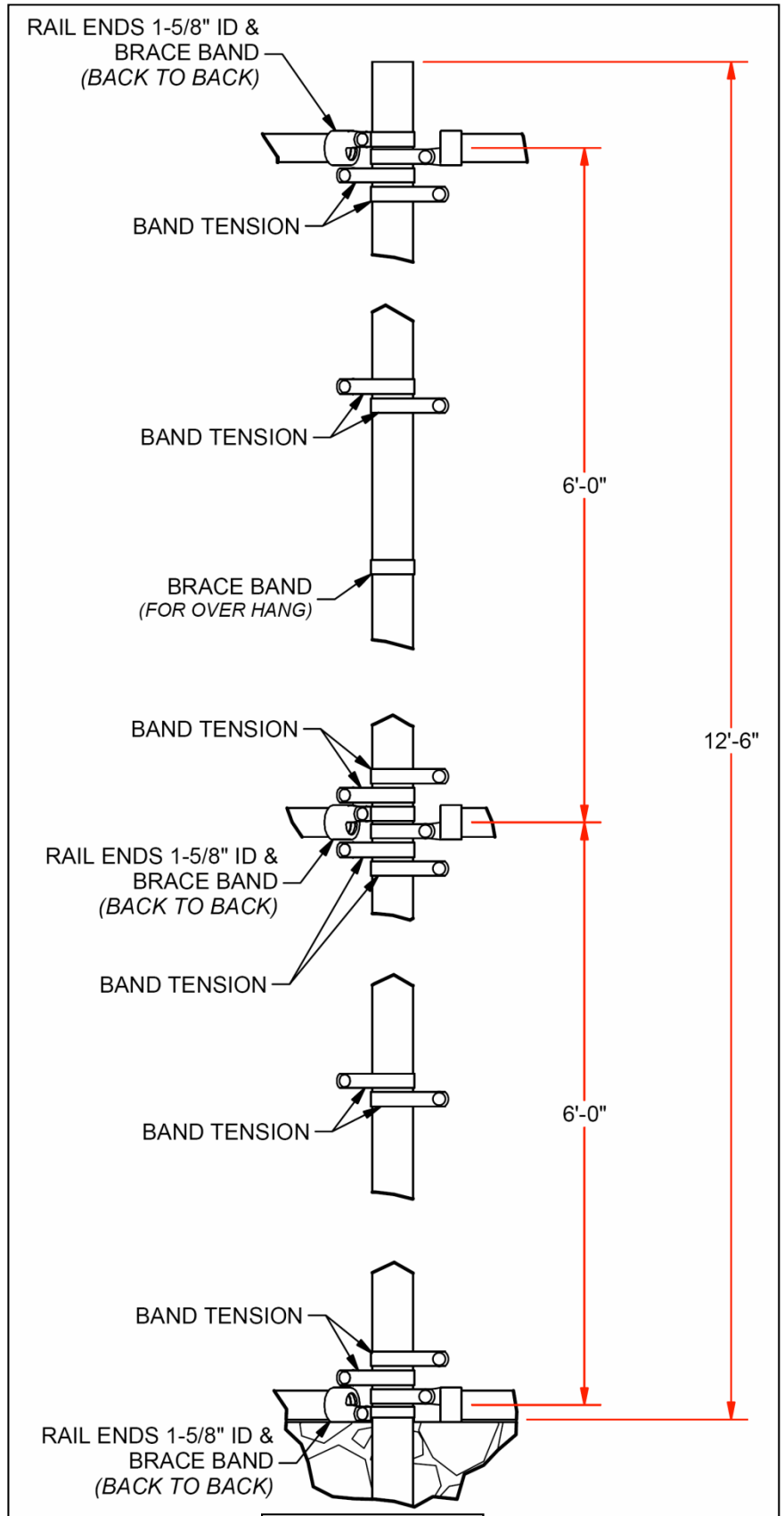
3. Dig a hole 18 inches square or round to a depth of 36 inches, pour a 6 inch footing and allow curing or placing upright on two 6 inch concrete blocks.
4. Position and square the 180" long upright onto the footing base. Pour the remainder of the footing. Allow the concrete to fully cure, per the manufacturer's instructions, before attaching the pipe fittings.

**Upright Panel Assembly**

1. Install all brace bands and band tensions by sliding them from the top of the upright (see the illustration to the right). **DO NOT STRETCH THE BANDS.**
2. The orientation of the tension band must be consistent. As one side of the tension band is off set for attaching the galvanized chain link fence flush to the pipe.
3. Insert the 113-1/2" long pipe into the rail ends. Attach this to the brace bands with 5/16" carriage bolt, washer & nut hardware.
4. Weave the 3/16" thick bar tension into the chain link panel and attach this to the band tension with 5/16" hardware.
5. Repeat previous step till all the panels is enclose with chain link.



Step 4

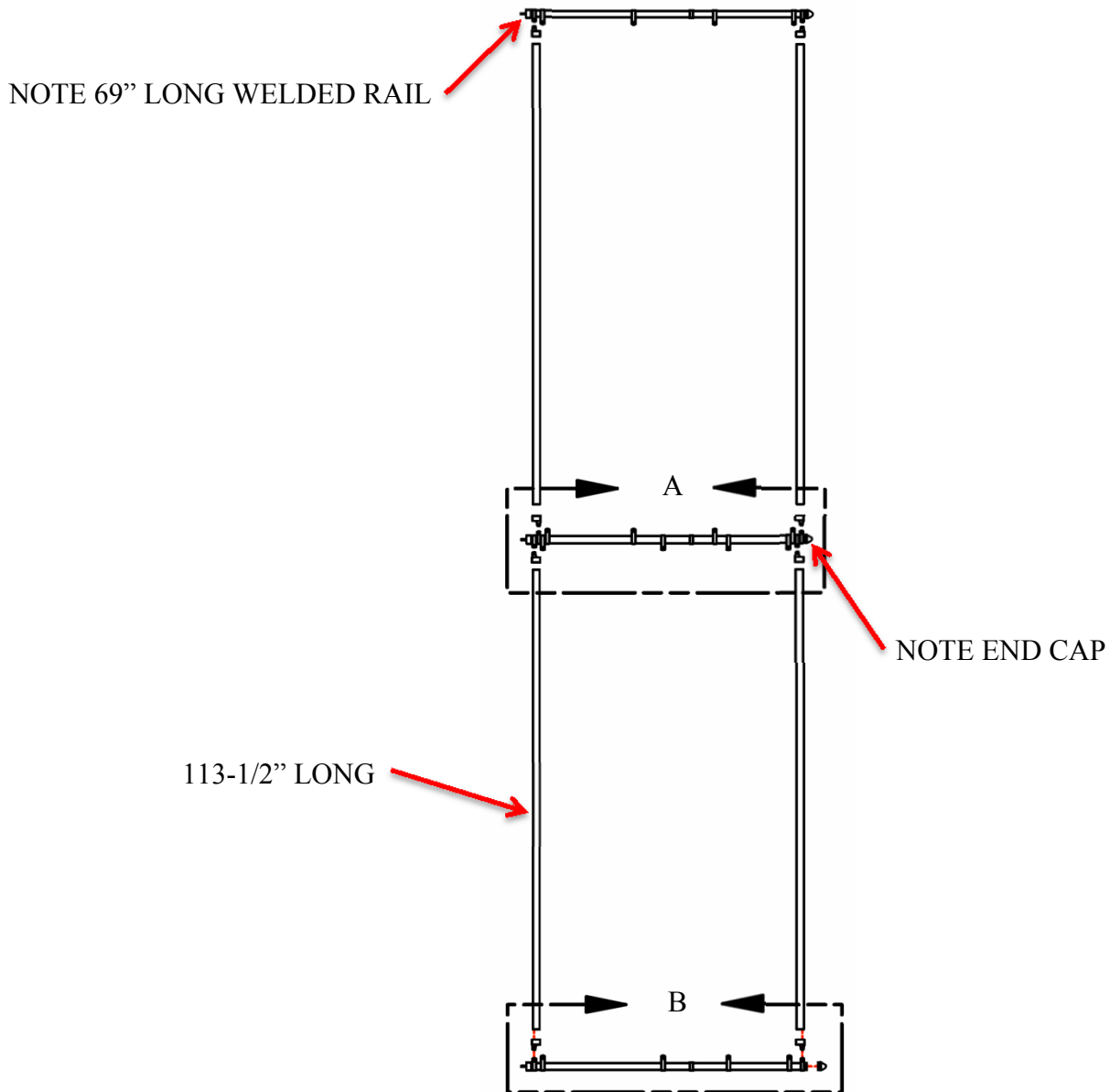


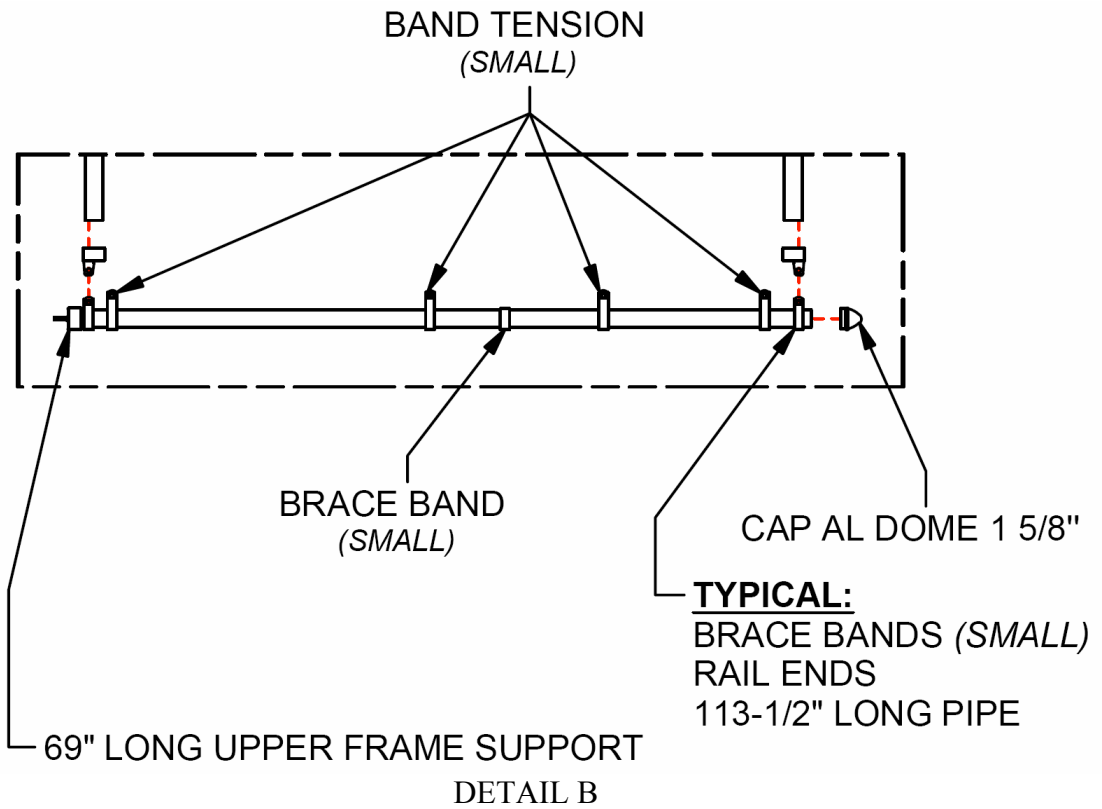
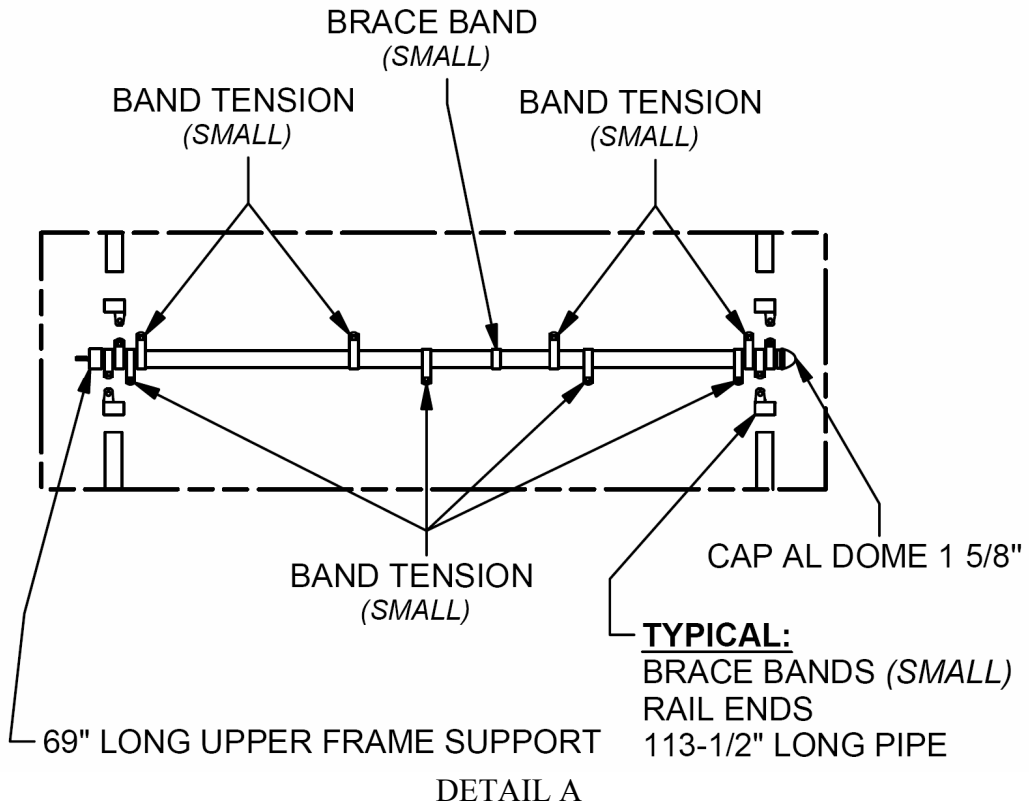
Step 1 & 2 & 3

### Overhang Panel Assembly

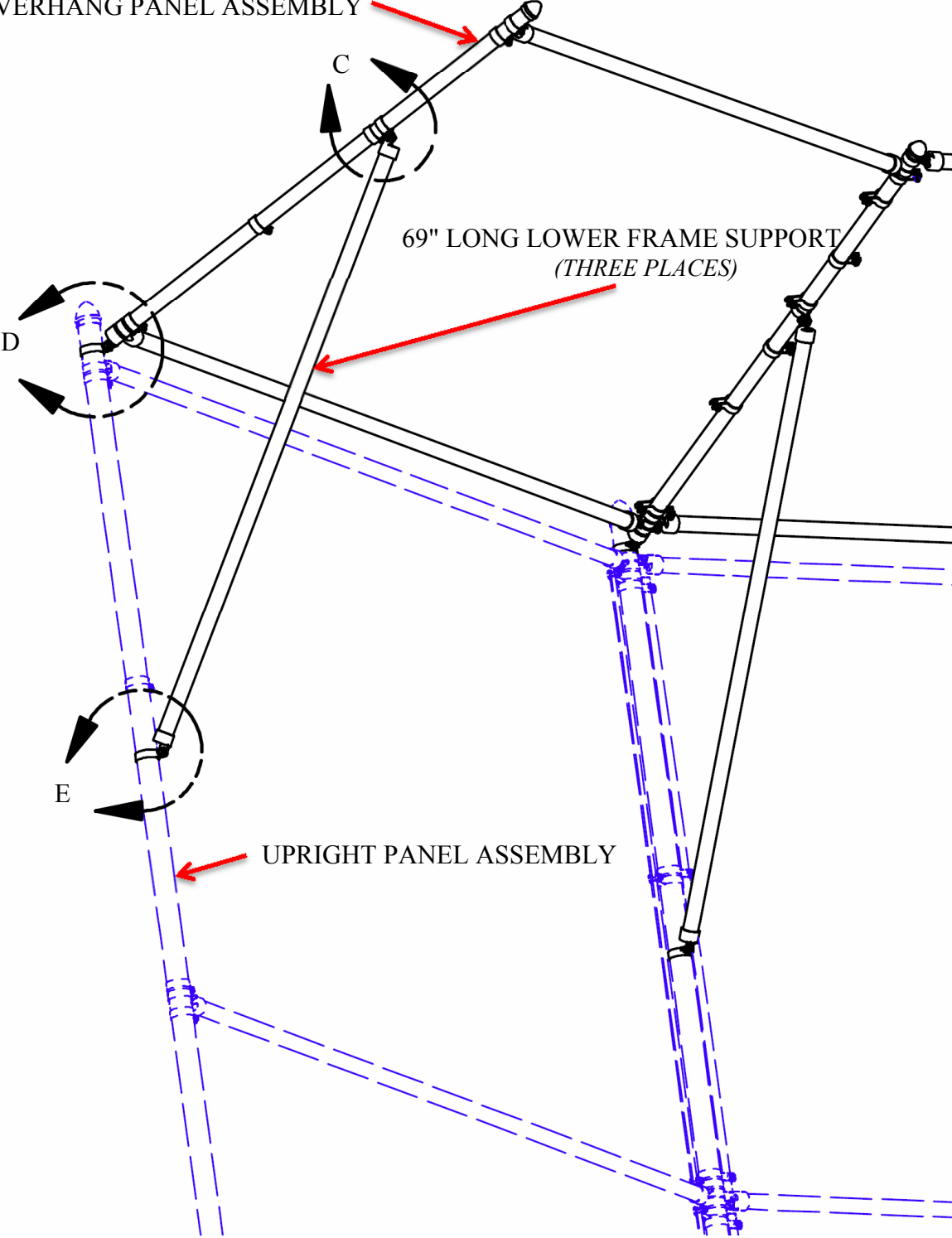
Note: Proper Equipment / manpower will be needed for this part.

1. Assemble the center panels on the ground and lift up to be attached to the bands. (See exploded views for more detail.) Note that the center panels are similar to the ones in the upright panel assembly.
2. Once all panels are up, cap the upright with the end cap.
3. Install horizontal reinforcing bars into the chain link panel and attach this to the band tension with 5/16" hardware. Note the over hangs panels on the end are shape like trapezoids with one tapered side.



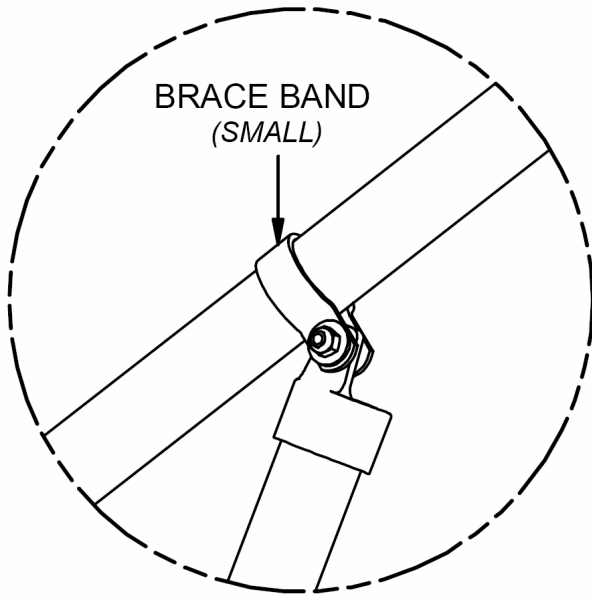


OVERHANG PANEL ASSEMBLY

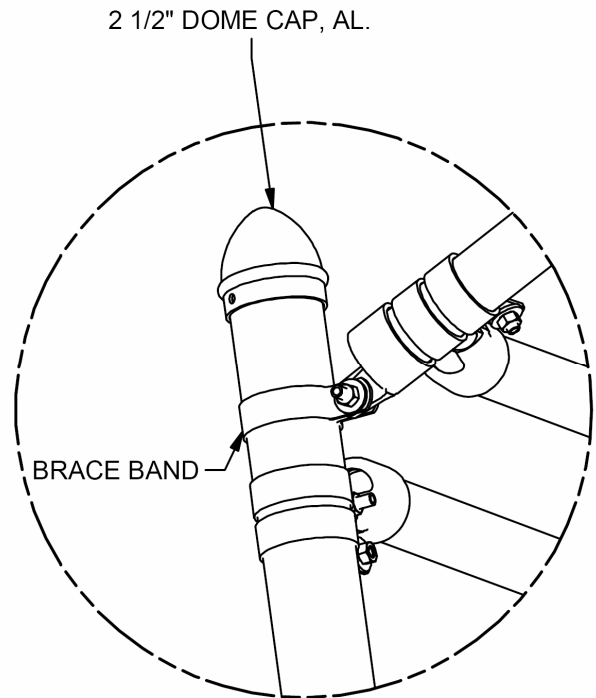


69" LONG LOWER FRAME SUPPORT  
(THREE PLACES)

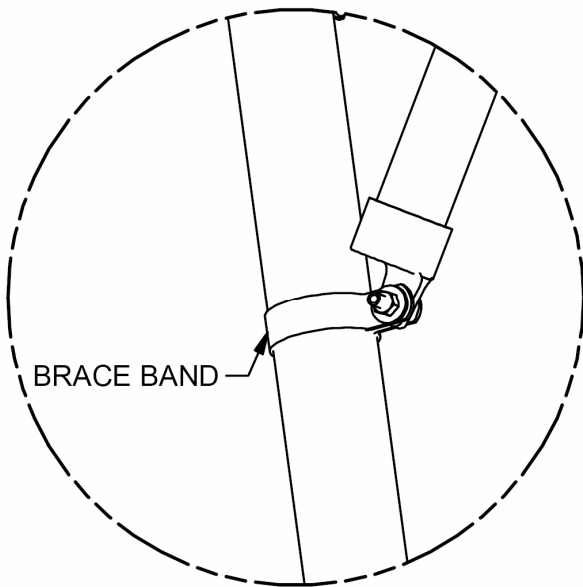
UPRIGHT PANEL ASSEMBLY



DETAIL C



DETAIL D



DETAIL E





BRACE BAND (Qty: 30)



BAND TENSION (Qty: 48)

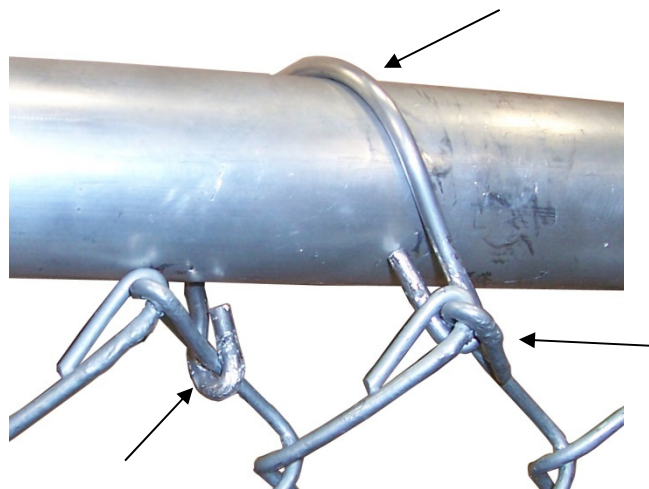


BRACE BAND (Qty: 11)  
*(SMALL BAND CLAMP USE IN HOVER HANG)*



BAND TENSION (Qty: 16)  
*(SMALL BAND CLAMP USE IN HOVER HANG)*

Note the four different types of band clamps and where they're used.



Attach rail tie around two legs of the chain link wrapping tightly around support pipe.