



**-- CLASSIC CLUB GOALS --**  
**(3" O.D. ROUND GOAL FACE)**  
**Installation Instructions**

**MODEL #:**

CC6S, CC9S, CC12S, CC18S, CC21S, CC24S



Jaypro strongly recommends that all portable soccer goals be anchored, to prevent accidental tip-over and serious injury. Never climb, or allow anyone else to climb on the frame or net.

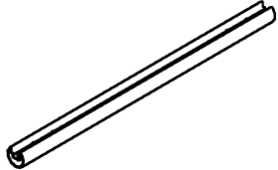
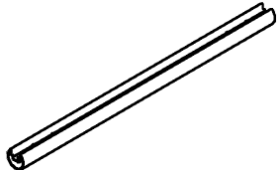
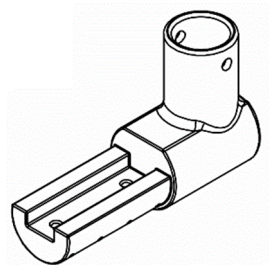
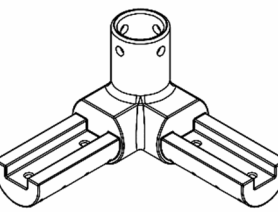
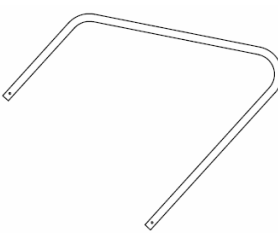

Call Jaypro Sports Equipment at 1-800-243-0533 during regular business hours for technical support.

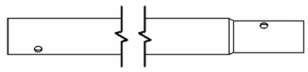
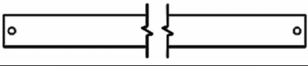

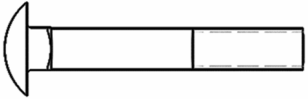
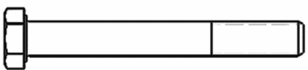








[www.jaypro.com](http://www.jaypro.com)

**JAYPRO SPORTS**  
CLASSIC SOCCER CLUB GOALS

	CC6S	CC9S	CC12S	CC18S	CC21S	CC24S
UPRIGHT	43" LONG (P/N:SG-090)	49" LONG (P/N:SG-084)	73" LONG (P/N:SG-094)	73" LONG (P/N:SG-094)	79" LONG (P/N:SG-083)	91" LONG (P/N:SG-082)
CROSSBAR	70" LONG (P/N:SG-091)	106" LONG (P/N:SG-092)	142" LONG (P/N:SG-088)	220" LONG (P/N:SG-085)	250" LONG (P/N:SG-093)	286" LONG (P/N:SG-095)

LIST OF MATERIALS FOR TWO GOALS

ITEM	IMAGE	DESCRIPTION	Model:	Model:	Model:
			CC6S CC9S	CC12S CC18S	CC21S CC24S
1		3" SOCCER CROSSBAR (SEE CHART)	2	2	2
2		3" SOCCER UPRIGHT (SEE CHART)	4	4	4
3		CAST CORNER 2-WAY (P/N: SG-M)	4	4	4
4		CAST CORNER 3-WAY (P/N: SG-L)	4	4	4
5		ONE PIECE BACKSTAY (P/N: CC6-1C, CC9-1C or CC18-1C)	4	4	0
6		PARTIAL BACKSTAY (P/N: CC21-1C or CC24-1C)	0	0	4

ITEM	IMAGE	DESCRIPTION	Model:	Model:	Model:
			CC6S CC9S	CC12S CC18S	CC21S CC24S
7		BACKSTAY CONNECTOR PIPE (P/N: CC21-1D or CC24-1D)	0	0	4
8		REAR CROSSBAR (P/N: CC12-1E, CC18-1E, CC21-1E or CC24-1E)	0	2	2
9		PIPE CLAMP (P/N: SR5418)	0	8	8
10		3/8"-16 x 2 1/2" CARRIAGE BOLT (P/N: HB50638)	0	8	8
11		3/8"-16 x 3" HEX HEAD CAP SCREW, ZP (P/N: HS292)	8	8	8
12		3/8"-16 x 3/4" BUTTON HEAD, SS (P/N: HS5228)	12	12	12
13		3/8" FLAT WASHER. SS (P/N: HW2151)	28	36	36
14		3/8"-16 THIN NYLON LOCK NUT, ZP (P/N: HN1230)	8	16	16
15		3/8" MEDIUM SPLIT LOCK WASHER, SS (P/N: HW2152)	12	12	12
16		EASY TRACK NET CLIP (P/N: ENC-824)	50	100	100
17		4" MESH 3 MM NETTING (P/N: SCN-6, SCN-9, SCN-12, SCN-18, SCN-21 or SCN-24)	2	2	2
18		NET IES 1/2" x 15" WHITE BUNDLE (P/N: SINT-60)	1	1	1
19		Product Labels (See page 10 to identify the correct product label)			

## INSTALLATION AND USE CONSIDERATIONS

- Portability is an important characteristic of this soccer goal and the design and the material that have been selected are intended to enhance the feature. Consequently, **this goal may tip over under certain load conditions, such as high winds or climbing onto the framework. It is highly recommended that this unit be properly anchored for improved stability. If there are any questions please contact Customer Service at (800) 243-0533.**
- The size and weight of this portable soccer goal dictates that **at least four persons are required when carrying this unit.** For best results, tip the goal onto it's face. Position one person at each of the four corners and lift carefully. If the wheel kit option is used, only two persons are needed to move the goal.

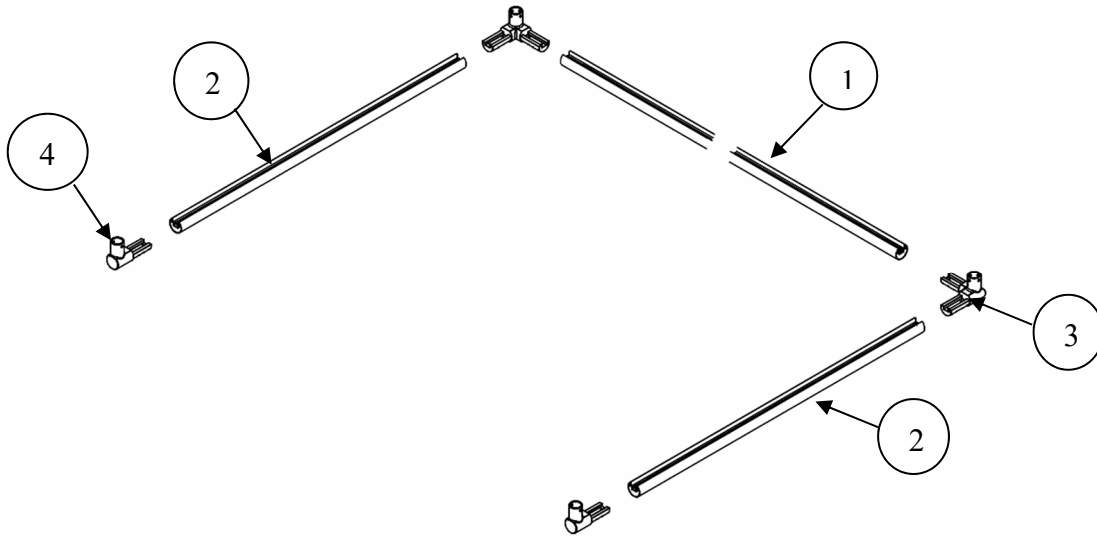
### IMPORTANT NOTICE:

1. Soccer goals must be securely anchored at all times.
2. Before each use, check to make sure all Safety/Warning labels are present and legible (see label placement drawing). If any are missing, contact your dealer or Jaypro Sports for replacement Safety / Warning labels.
3. Before each use, thoroughly inspect each goal to ensure it is properly anchored, and all hardware is secured. Inspect all components for structure integrity. Replace any damaged or missing part or fasteners before using. Contact your dealer or Jaypro Sports, for repair or replacement parts.
4. NEVER climb on, or allow anyone to climb on the frame or net.
5. When moving soccer goals, use adequate manpower (no less than two people) and use extreme care to ensure the corners of the goal are not overstressed. Do not tug on the backstays when attempting to move goals from side to side,
6. Always remove nets when goals are not in use.
7. Properly store goals when not in use or during the off-season, by disassembling, laying the goal on its face, placing goals face to face, or placing goal face first against a wall or fence.
8. Use of this equipment other than intended, may be hazardous.
9. Alteration or modification of this equipment may be hazardous and result in injury.

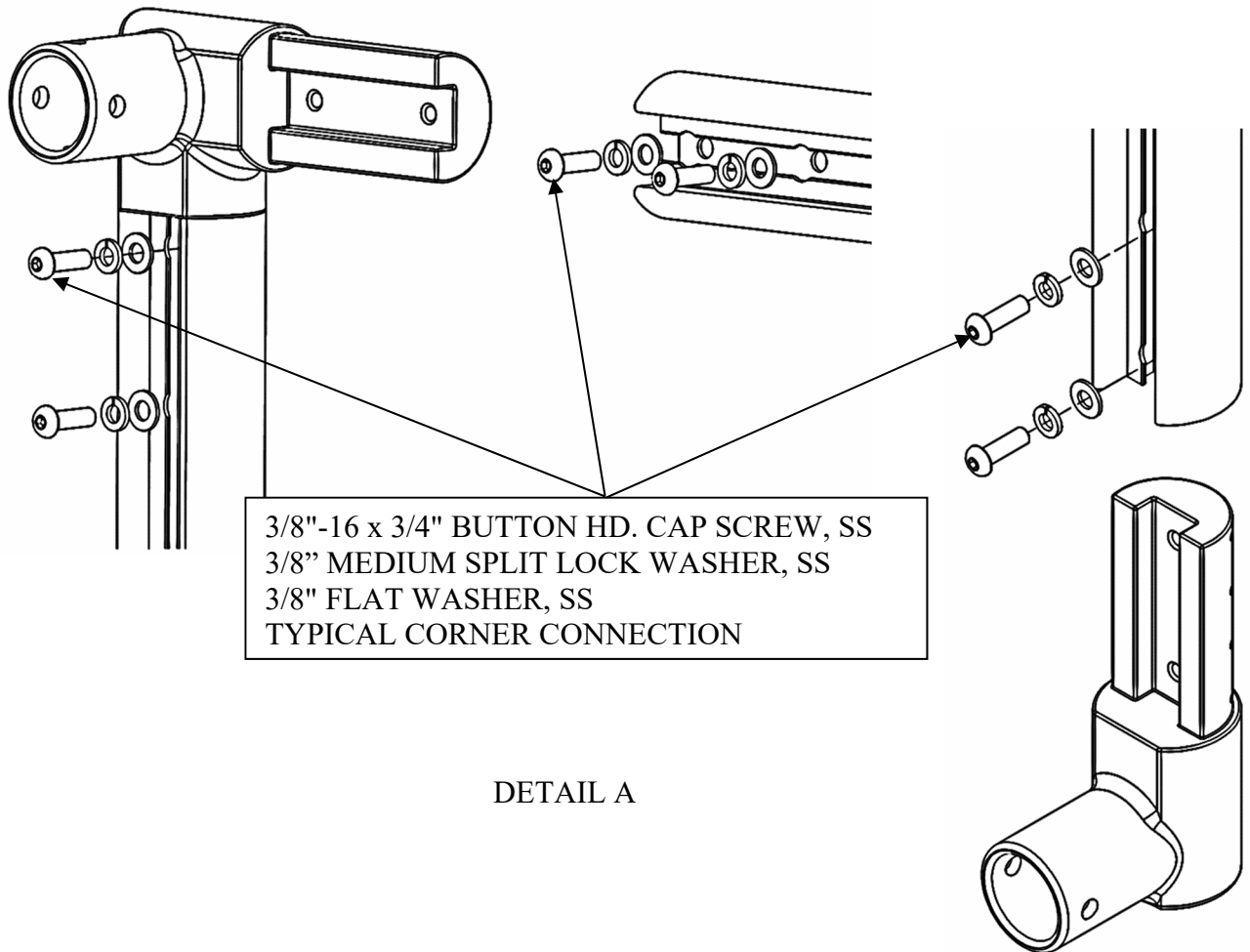
### \*\*\* ASSEMBLY INSTRUCTIONS REQUIRES 3 PEOPLE \*\*\*

#### TOOLS REQUIRED:

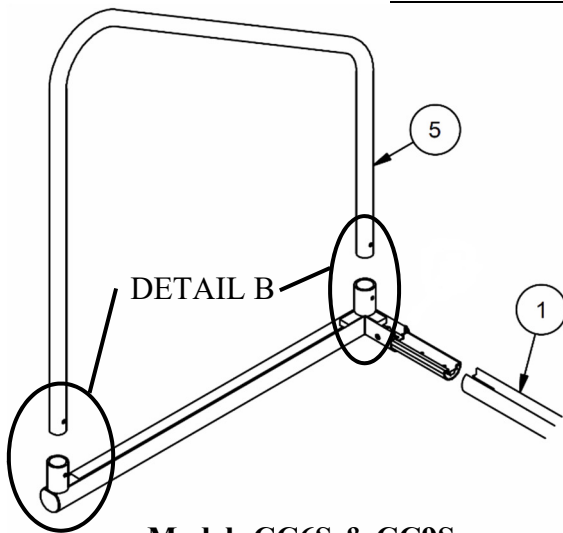
- (1) 9/16" Socket Wrench and Box Wrench
  - (1) 7/32" Allen Wrench
  - (1) Rubber Mallet
  - (1) Step Ladder
- 
- Unpack all parts and check against parts list to ensure that all have been included.
  - Inspect all parts for damage. Report any damages to the trucking company.



Lay uprights and crossbar face down in a clear area. Note the orientation of any labels on the crossbar so as not to place upside down. Slide each upright into the end of the crossbar and secure in place using 3/8" hardware as shown below.



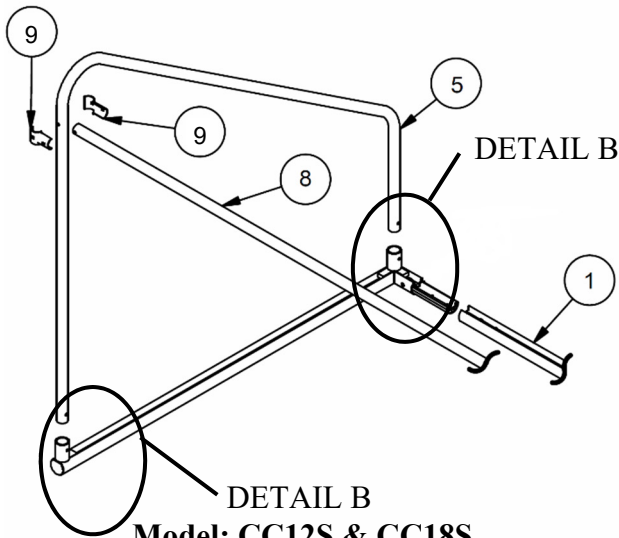
ASSEMBLY INSTRUCTIONS



**Model: CC6S & CC9S**

**Model: CC6S & CC9S (No Rear Crossbar)**

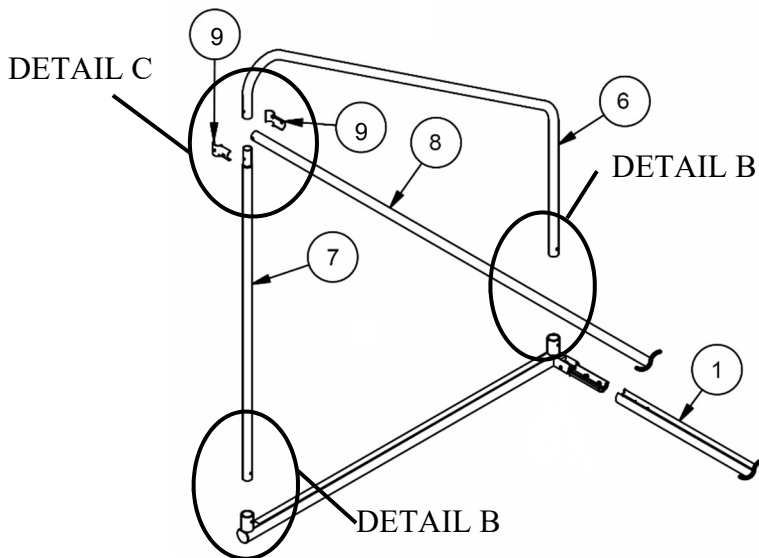
- (1) 3" SOCCER CROSSBAR
- (2) CLASSIC RIGHT UPRIGHT
- (5) ONE PIECE BACKSTAY



**Model: CC12S & CC18S**

**Model: CC12S & CC18S**

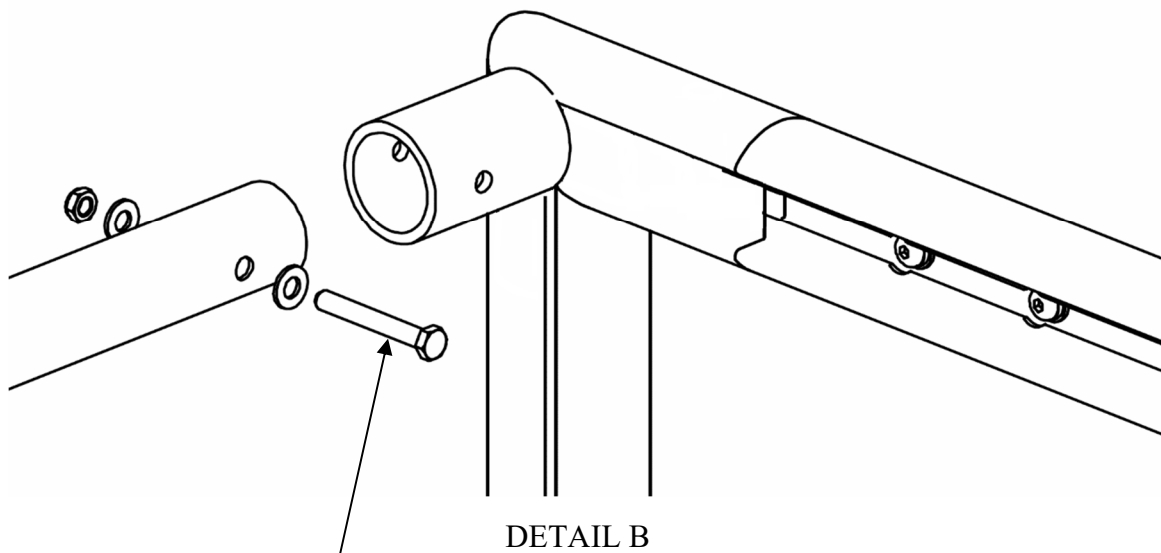
- (1) 3" SOCCER CROSSBAR
- (2) CLASSIC RIGHT UPRIGHT
- (5) ONE PIECE BACKSTAY
- (8) REAR CROSSBAR
- (9) PIPE CLAMP



**Model: CC21S & CC24S**

**Model: CC21S & CC24S (2 Piece Backstay)**

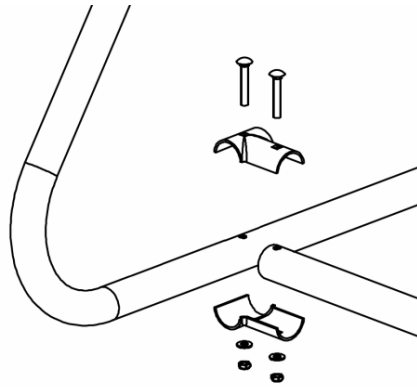
- (1) 3" SOCCER CROSSBAR
- (2) CLASSIC RIGHT UPRIGHT
- (6) PARTIAL BACKSTAY
- (7) BACKSTAY CONNECTOR PIPE
- (8) REAR CROSSBAR
- (9) PIPE CLAMP



3/8"-16 x 3" HEX HEAD CAP SCREW, ZP  
 3/8" FLAT WASHER, SS  
 3/8"-16 THIN NYLON LOCK NUT, ZP  
 TYPICAL HUB CONNECTION

Carefully assemble one backstay into both hubs of each upright.  
 Refer to page 5 for details on each model goal.  
 Secure in place using 3/8" hardware as shown.





DETAIL C

3/8"-16 x 2 1/2" CARRIAGE BOLT  
 3/8" SAE FLAT WASHER, SS  
 3/8"-16 THIN NYLON LOCK NUT, ZP

Attach the rear crossbar to the backstays using 3/8" hardware shown. Note if using goal on turf field have the heads of carriage bolts touch the turf to avoid damaging turf field.



Important note:  
 CC6S & CC9S does not use rear crossbars.

Check to ensure that all hardware is securely tighten down. With goal in the face down position attach the net using the "Easy Clip" net attachment system. If the net is installed in this position, there is no need to climb a ladder and attach netting. Secure net to pipe with the white strips of net ties, note that the "shinny side" has the UV coating. **Repeat for the other side.**





**Safety / Warning Labels:**

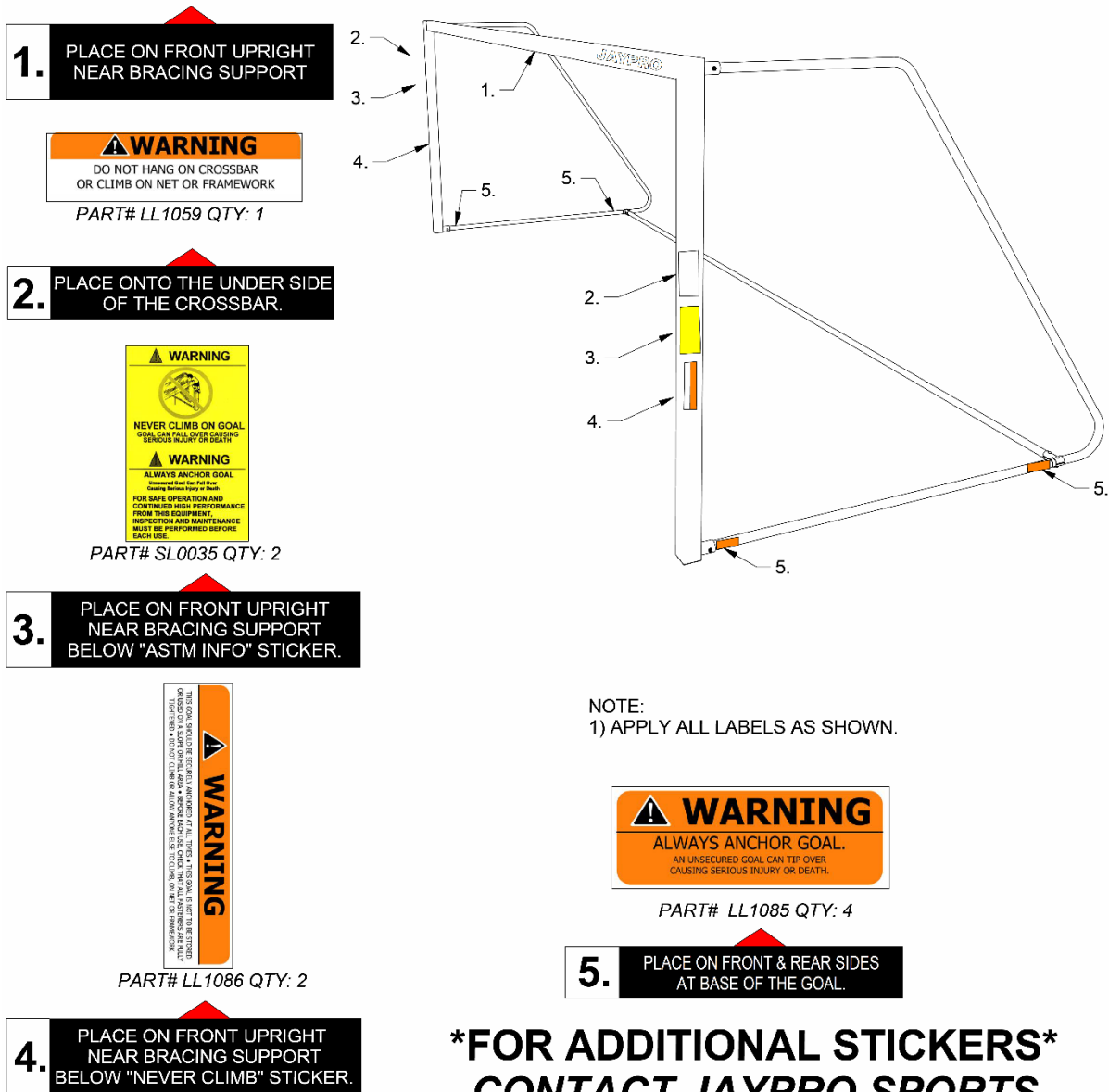
Safety and Warning labels, as required to meet ASTM Standards, are an important component to any soccer goal. Attach the appropriate product label (1.) according to the diagram on page 10.

Always inspect goals before each use to ensure that all labels are in place and legible. Contact your dealer or Jaypro Sports for replacement labels.

**Label Placement Instructions:**



See page 10 to identify the correct product label.





Model #: 800-243-0533  
www.jaypro.com

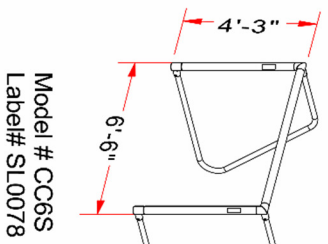
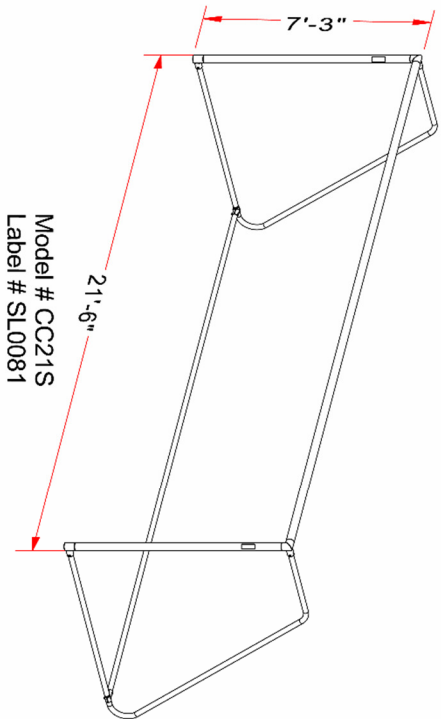
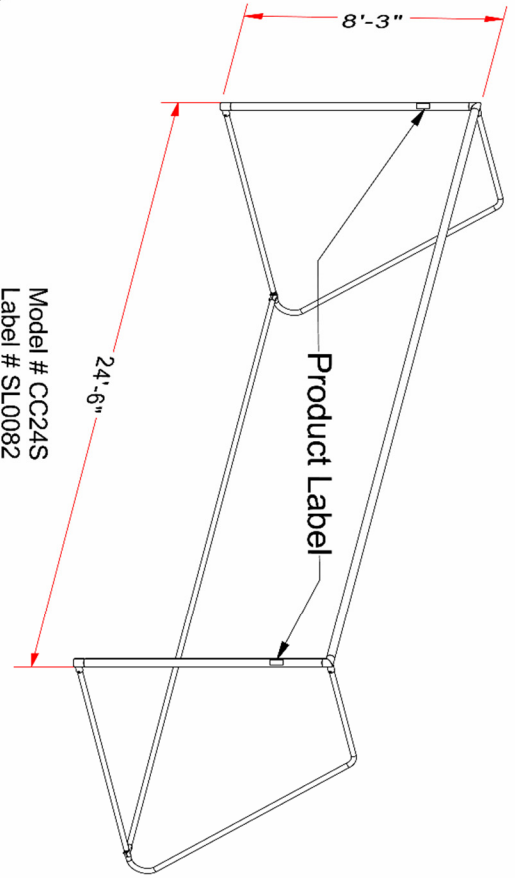
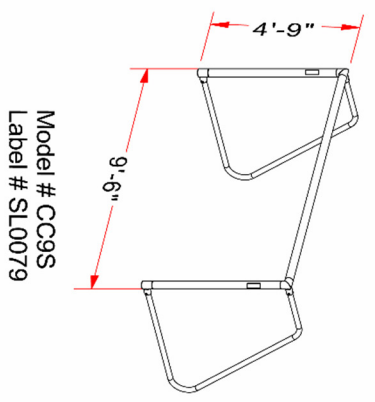
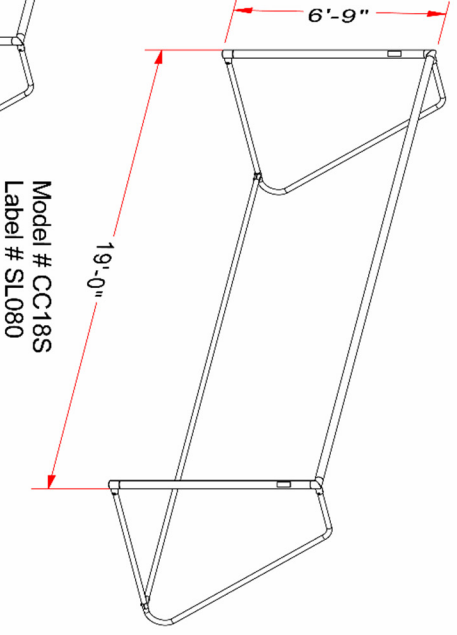
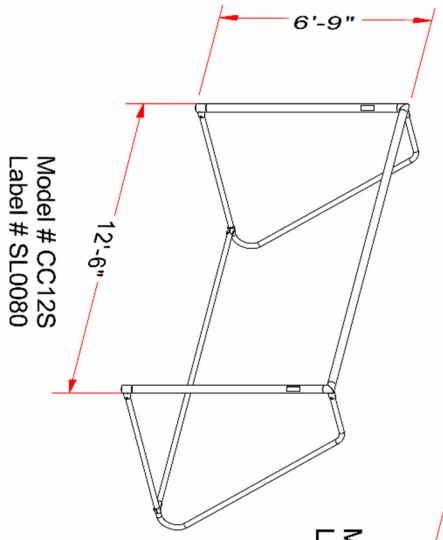
THIS GOAL MEETS ALL SAFETY REQUIREMENTS OF:  
ASTM F2956 & ASTM F2973  
WHEN COUNTER BALANCE WEIGHT IS USED AS THE ONLY MEANS OF PREVENTING TIP-OVER. **A MINIMUM OF 100 LBS. MUST BE PLACED ON THE REAR CROSSBAR.** WEIGHT SHOULD BE DIVIDED EQUALLY AND PLACED NEAR EACH REAR CORNER.  
SEE MANUFACTURER'S INSTRUCTIONS FOR MORE DETAILS ON ANCHORING.

LABEL #

Match Model # to images as shown

### PRODUCT LABEL IDENTIFICATION

ATTACH THE APPROPRIATE PRODUCT LABEL ON EACH UPRIGHT AS SHOWN.





Jaypro strongly recommends that all portable soccer goals be anchored, to prevent accidental tip-over and serious injury. Never climb, or allow anyone else to climb on the frame or net.

### **Final Adjustments:**

- Checks to make sure the soccer goal frame is properly aligned and square. Double check that all hardware is tightened down.
- Move the goal into the final playing position.
- Anchor soccer goal frame (see section on Anchoring).

### **IMPORTANT NOTICE**

The United States consumer product safety commission has adopted and published “*Guidelines For Movable Soccer Goal Safety*”. These guidelines offer information on the installation, use, and storage of full-size portable soccer goals and through these guidelines; it is the commission’s intent to help prevent serious injuries or death resulting from accidental soccer goal tip over.

Securely anchoring portable soccer goals, at all times, is one important and effective way to improve soccer goal safety. The proper selection of appropriate anchoring devices is dependent upon a number of factors and is unique to individual circumstances. Key elements to consider are:

- 1) Goal weight, inherent stability and type of construction;
- 2) Local field conditions and soil moisture content;
- 3) Expected usage level and overall degree of field supervision;
- 4) The need to relocate or remove the goal on a regular or continuing basis.

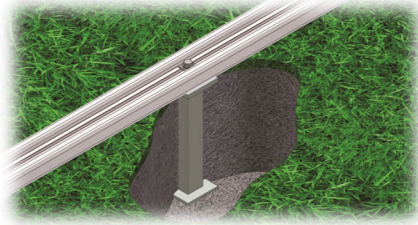
As a charter member of the **Coalition To Promote Soccer Goal Safety**, Jaypro endorses the efforts of the commission and others in this cause. Our trained sales staff is available to discuss the variety of goal anchors that we offer and to help you in making the best choice for your individual application.

**Anchoring Systems:**

**IMPORTANT – PORTABLE SOCCER GOALS SHOULD BE ANCHORED AT ALL TIMES.**

There are three categories of anchors suitable for securing soccer goals.

**Semi-Permanent In-Ground Anchors:** *SGA-60*



Semi-permanent in-ground anchors are the most secure type of anchor, as they are not dependent on soil conditions or subject to improper placement or dislodging. The anchor itself is permanently cemented into the ground and the goal is securely bolted onto it.

**Portable In-Ground Anchors:** *SAS-95, SGA-91 & SS-18*

There are three types of portable in-ground anchors. The type of anchor required is dependent upon the type of soil condition encountered. The effectiveness of these anchors is a function of style and length.

- Auger style anchors, 18” or longer, are used in loose and sandy soils.
- J-Hook Stake anchors, 18” or longer, are used in firm and compressed soil types; such as loams, which are a class of soil composed of varying mixtures of sand, silt and clay.
- Spike anchors, 18” or longer, are used in firm to tightly compacted soils, such as clays. These anchors are ¾” in diameter with serrated ends, and steel wire lanyard.



**Auger**  
*SAS-95*

**J-Hook**  
*SGA-91*

**Spike**  
*SS-18*

**Portable Surface Anchors:** *SWB-451, SGA-40 & SGA-50*

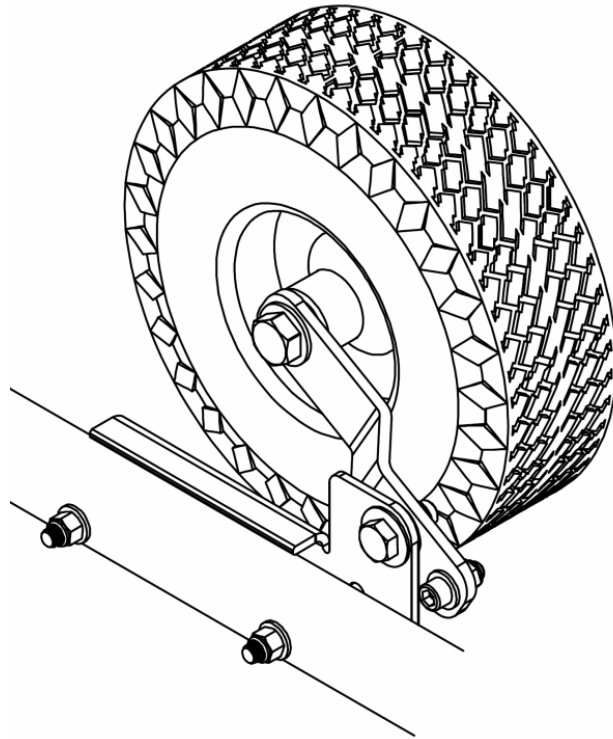


Surface anchors are ideal for the newer synthetic surfaces or artificial fields, where an in-ground anchor is not feasible or desired. These types of anchors include sand bags, tethered anchor weights and sit upon anchor weights. These anchors are easy to use, but require consideration regarding the amount of weight used. The amount of counterweight necessary to meet the ASTM standards to prevent tipping is dependent on the size and geometry of the goal. The table below lists the amount of counterweight required for each goal. Counterweights should be placed upon the rear crossbar, located towards the two rear corners.

**Portable Soccer Goal Required Counter Weights**

<i>Model #</i>	<i>Counter Weight</i>
<i>CC24S</i>	<i>140 lbs</i>
<i>CC21S</i>	<i>160 lbs</i>
<i>CC18S or CC12S</i>	<i>240 lbs</i>

**OPTIONAL WHEEL KIT FOR PORTABLE SOCCER GOALS (P/N: CSGWK)**



NOTE: Kit includes four wheel assemblies. Wheel assemblies may be used in pairs, (i.e. two per goal) which would require lifting one end of goal to move. Alternately, four wheel assemblies may be installed on a soccer goal to avoid the need to lift. At least two people are required to properly move a soccer goal, to prevent personal injury or damage to the goal.