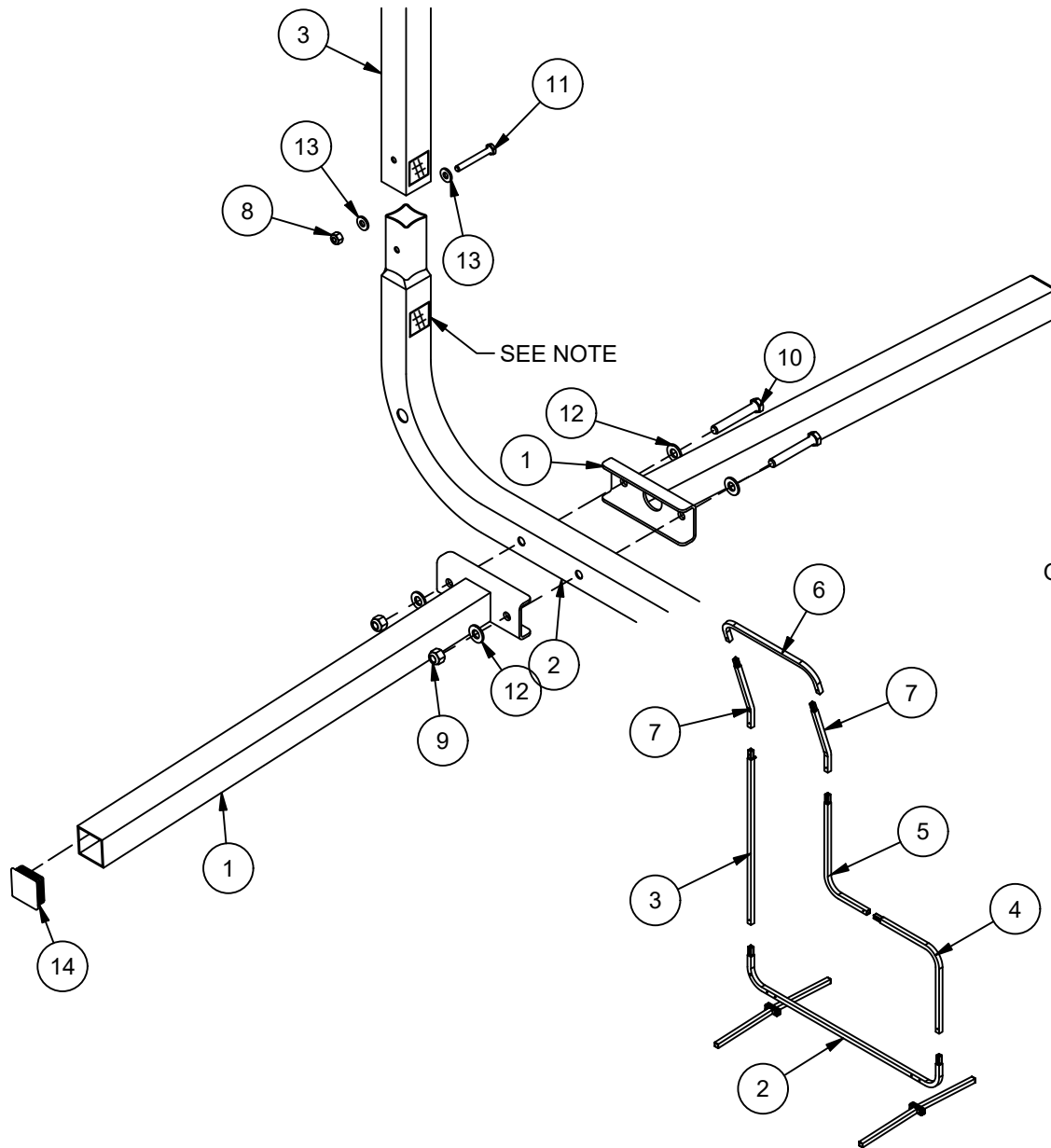
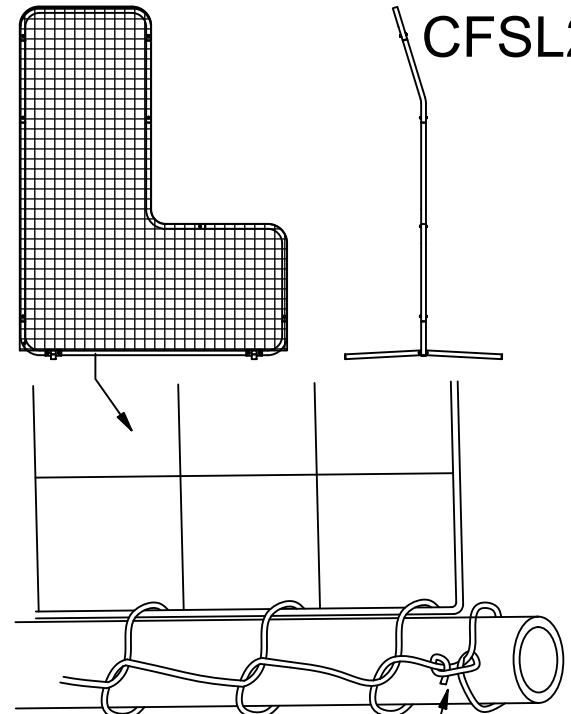


CFSL2



SEE NOTE



SLIDE NET OVER FRAME AND TIE OFF THE OPEN END OF THE NET WITH LACING CORD

ITEM	QTY	PART #	DESCRIPTION
1	4	CFS-B	CLASSIC SCREEN LEG
2	1	CFS-01	CLASSIC SCREEN BASE
3	1	CFS-02	CLASSIC SCREEN SIDES
4	1	CFS-03	CLASSIC SCREEN LOWER ELBOW
5	1	CFS-04	CLASSIC SCREEN UPPER ELBOW
6	1	CFS-05	CLASSIC SCREEN TOP
7	2	CFS-06	CLASSIC SCREEN ELBOW HOOD
8	7	HN256	1/4-20 UNC-Nylon Lock Nut-ZP-GrNC
9	4	HN265	3/8-16 UNC-Nylon Lock Nut-ZP-GrNC
10	4	HS291	3/8-16 x 2-1/2 HEX CAP SCREW-ZP-GrNC
11	7	HS5174	1/4-20 x 2 HEX CAP SCREW-ZP-GrNC
12	8	HW2050	3/8 STD WASHER-ZP-GrNC
13	14	HW2093	1/4 SAE WASHER-ZP-GrNC
14	4	9565K540	1 1/2" SQUARE PLUG END CAP
15	1	CFSL2-N	CLASSIC L2 SCREEN NET



MODEL NUMBER: CFSL2
 CHECKED BY: WVB

PRODUCT NAME:
 CLASSIC L2 SCREEN

976 Hartford Turnpike
 Waterford, CT 06385 USA
 (800)243-0533 Fax: (800)988-3363
 www.jaypro.com

DATE: 2/19/2020
 REV: -
 DRAWN BY: Mouné T.
 SHEET: 1 OF 1

NOTE: ASSEMBLE BY MATCHING UP NUMBERED LABELS ON EACH FRAME PIECE