

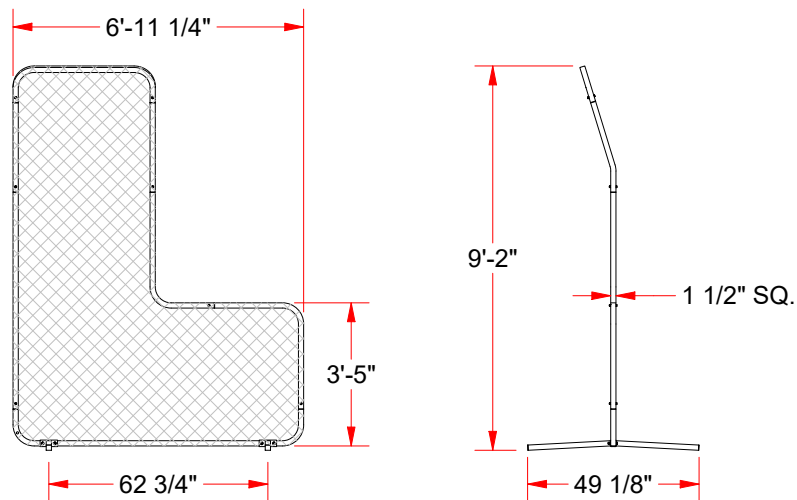


Baseball L2 Screen - 9' x 7'



FEATURES:

- > GALVANIZED STEEL SQUARE FRAMES WITH HEAVY-DUTY PILLOW-CASE STYLE NETTING.
- > NUT/BOLT ASSEMBLY WITH DETACHABLE LEG SUPPORTS
- > SWAGED JOINTS FOR EASY ASSEMBLY
- > OPTIONAL WHEEL KIT (CFS-WK) SOLD SEPARATELY



CFSL2

Baseball L2 Screen - 9' x 7'

© COPYRIGHT 2019 JAYPRO SPORTS, LLC. ALL RIGHTS RESERVED THIS PRINT IS THE PROPERTY OF JAYPRO SPORTS, LLC. AND MAY NOT BE REPRODUCED WITHOUT WRITTEN PERMISSION

www.jaypro.com
(800) 243-0533
976 Hartford Turnpike
Waterford, CT 06385 USA

Sheet 1 of 1