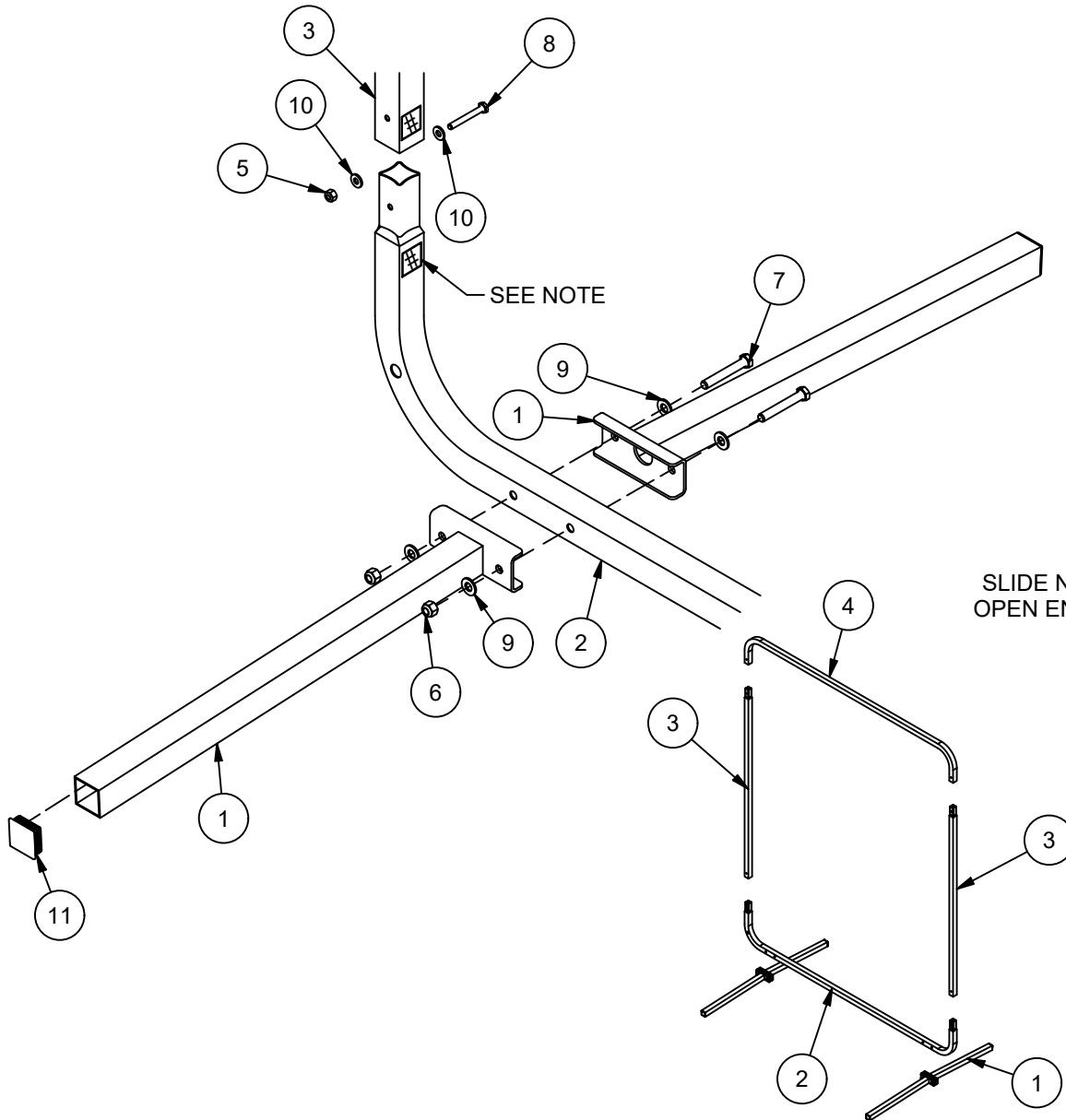
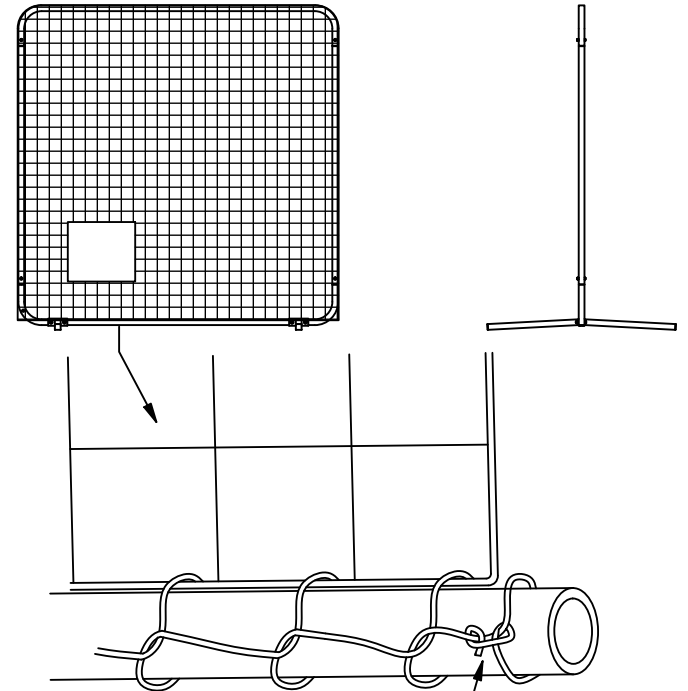


CFSP



SEE NOTE



SLIDE NET OVER FRAME AND TIE OFF THE OPEN END OF THE NET WITH LACING CORD

ITEM	QTY	PART #	DESCRIPTION
1	4	CFS-B	CLASSIC SCREEN LEG
2	1	CFS-01	CLASSIC SCREEN BASE
3	2	CFS-02	CLASSIC SCREEN SIDES
4	1	CFS-07	CLASSIC SCREEN TOP
5	4	HN256	1/4-20 UNC-Nylon Lock Nut-ZP-GrNC
6	4	HN265	3/8-16 UNC-Nylon Lock Nut-ZP-GrNC
7	4	HS291	3/8-16 x 2-1/2 HEX CAP SCREW-ZP-GrNC
8	4	HS5174	1/4-20 x 2 HEX CAP SCREW-ZP-GrNC
9	8	HW2050	3/8 STD WASHER-ZP-GrNC
10	8	HW2093	1/4 SAE WASHER-ZP-GrNC
11	4	9565K540	1 1/2" SQUARE PLUG END CAP
12	1	CFSP-N	CLASSIC SOFTBALL PITCHING NET

NOTE: ASSEMBLE BY MATCHING UP NUMBERED LABELS ON EACH FRAME PIECE

	MODEL NUMBER:	CFSP	CHECKED BY:	WVB
	PRODUCT NAME:	CLASSIC SOFTBALL PITCHING		
976 Hartford Turnpike Waterford, CT 06385 USA (800)243-0533 Fax: (800)988-3363 www.jaypro.com	DATE:	2/19/2020	REV:	-
	DRAWN BY:	Moune T.	SHEET:	1 OF 1