



-- CSGP-1 --
(CEILING SUSPENDED GOAL POST)
Installation Instructions



Call Jaypro Sports Equipment at 1-800-243-0533 during regular business hours for technical support.

www.jaypro.com

JAYPRO SPORTS
CSGP-1 CEILING SUSPENDED GOAL POST

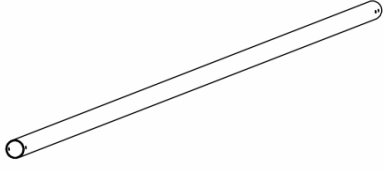
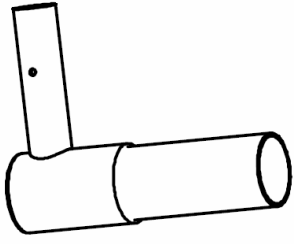
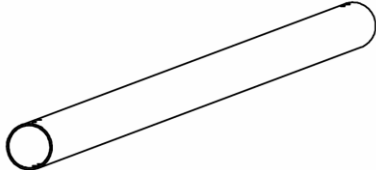
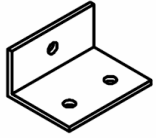


PARTS LIST SHOWN FOR ONE UNIT (GOAL POST)		
IMAGE	QTY	DESCRIPTION
	2	SUSPENDED 30' UPRIGHT (P/N: CSFBGP-D2)
	2	6-5/8" END FITTING (P/N: FBGP-801)
	1	6-5/8" COLLEGE CROSSBAR PIPE (P/N: FBGP-802C-1)
	4	ANGLE ATTACH STRUT TO PURLIN (P/N: PMAB-1)
	2	UNISTRUT x 96" LONG (P/N: SR5239)
	2	1/4" x 19 AIRCRAFT CABLE 80' LONG, GALVANIZED (P/N: RC5014)
IMAGE	QTY	DESCRIPTION

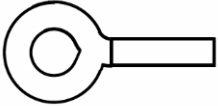




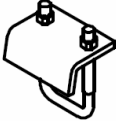
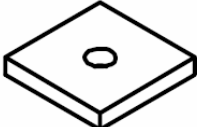




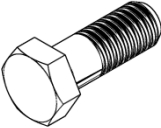
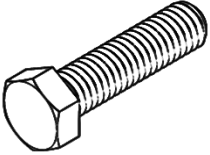
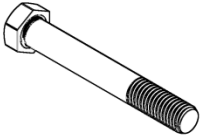
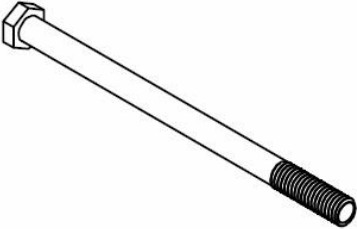


IMAGE	QTY	DESCRIPTION
	2	1/2"-13 x 4" BOLT EYE (P/N: HB5092)
	8	1/4" WIRE ROPE CLIPS (P/N: HM6078)
	4	1/4" WIRE ROPE THIMBLES (P/N: HM6079)
	2	1/2"-13 UNISTRUT NUT (P/N: HM6134)
	2	1/2" UNISTRUT SQUARE WASHER (P/N: HM6135)
	8	UNISTRUT BEAM CLAMP (P/N: HM6157)
	4	3/8" FLAT PLATE SPACER (P/N: HM6171)
	2	3/8"-16 TURNBUCKLE, JAW TO JAW (P/N: HM6275)
	10	1/2"-13 THIN NYLON LOCK NUT (P/N: HN268)
IMAGE	QTY	DESCRIPTION

IMAGE	QTY	DESCRIPTION
	2	1/2"-13 FLANGE LOCK NUT (P/N: HN5038)
	12	3/8"-16 FLANGE HEX NUT (P/N: HN5042)
	8	3/8"-16 x 1" HEX BOLT (P/N: HS286)
	4	3/8"-16 x 3" HEX HEAD CAP SCREW (P/N: HS292)
	6	1/2" - 13 x 5" HEX HEAD SCREW (P/N: HS5042)
	4	1/2" - 13 x 8" HEX HEAD SCREW (P/N: HS5066)
	10	1/2" FLAT WASHER (P/N: HW2044)
	12	3/8" FLAT WASHER (P/N: HW2050)
IMAGE	QTY	DESCRIPTION

IMPORTANT NOTICE:

- 1) BEFORE EACH USE CHECK EQUIPMENT FOR PROPER CONNECTING HARDWARE AND STRUCTURAL INTEGRITY. REPLACE DAMAGED OR MISSING HARDWARE IMMEDIATELY.
- 2) USE OF THIS EQUIPMENT OTHER THAN INTENDED, MAY BE HAZARDOUS.
- 3) ALTERATION OR MODIFICATION OF THIS EQUIPMENT MAY BE HAZARDOUS AND RESULT IN INJURY. FOR REPAIR OR REPLACEMENT, CONTACT YOUR DEALER OR JAYPRO SPORTS.

ASSEMBLY INSTRUCTIONS

TOOLS REQUIRED:

- (1) 9/16" Socket Wrench and Box Wrench
- (1) 3/4" Socket Wrench and Box Wrench
- (1) 15/16" Socket Wrench and Box Wrench
- (1) Scaffolding, Lull or Boom Lift
- (1) Electric Drill
- (1) Drill Bits:
 - a. 1/2"
 - b. 3/16" & 3/8" drill bits to pilot holes (recommended)
- (1) 17/32" Transfer Punch (recommended)
- (1) 3' Level Device

Important Note:

Installation of the ceiling suspended goal post system requires the lifting and handling of substantial weight, up to 340 lbs. Safe installation requires at least four men and the use of appropriate material handling equipment such as scaffolding, a Lull or boom lift.

The ceiling suspended goal post offers the ability to adjust the height of the crossbar and plumb it independently. Care should be taken at each step to ensure the framework is square and plumb.

Ceiling Attachment:

1. By rule, the front of the crossbar should be even with the field side (inside) edge of the end line such that the crossbars measure 360 ft apart inside to inside.
2. The crossbar should be level and at a height of 10 ft above ground level. The uprights should be plumb in both directions, front to back and side to side. Adjust turnbuckle components as necessary.
3. Unistrut comes in a length of 96" long to accommodate spanning between purlins or joist. When direct attaching underneath joist, rigid frame, girder or box truss cut the unistrut to length of the structure width plus 6" on both sides.
4. Assemble per Figure 1 for spanning between purlins or joist type. Assemble per Figure 2 for direct attaching underneath joist type.

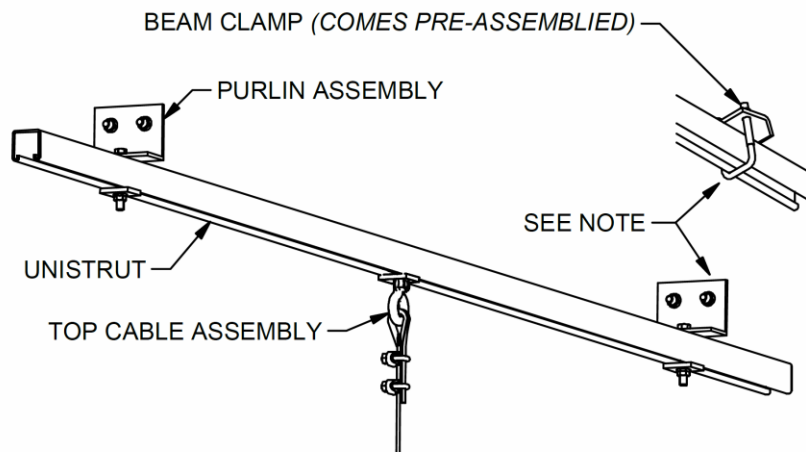


Figure 1
Spanning Attachment

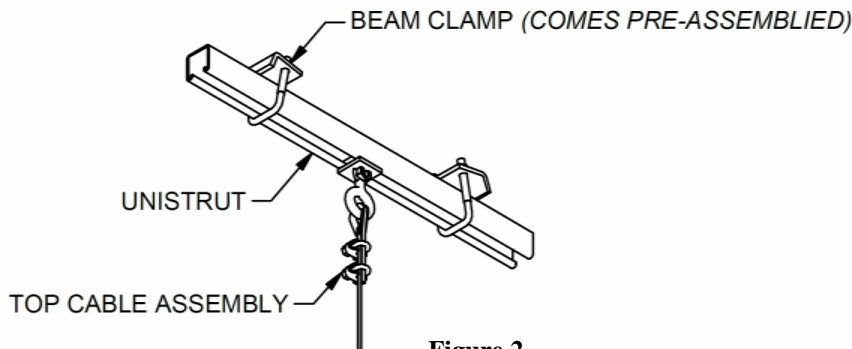
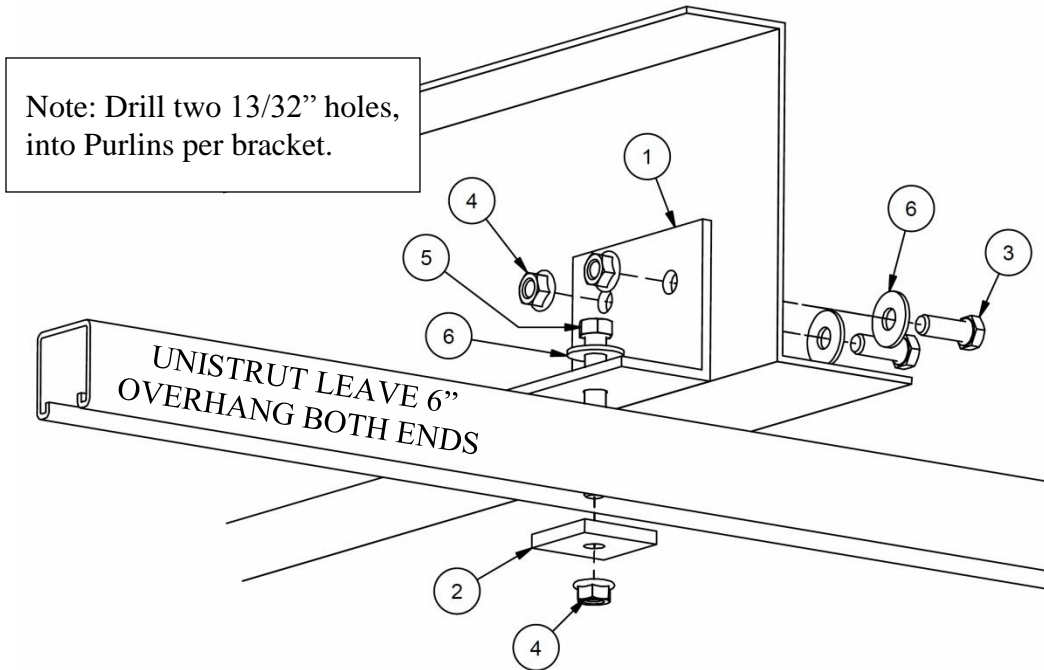


Figure 2
Direct Attachment

NOTE:

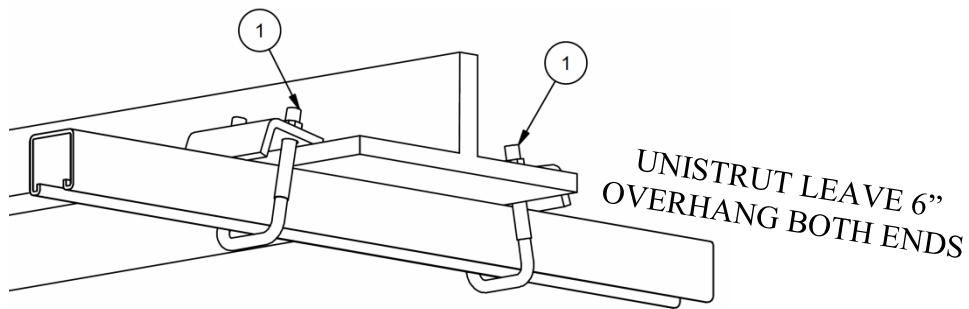
* Typical I-beam / Purlin attachment shown.

* Specific attachment type and mounting hardware depends on building type.



Parts List Purlin Assembly		
ITEM	DESCRIPTION	PART #
1	ANGLE ATTACH STRUT TO PURLIN	PMAB-1
2	3/8" FLAT PLATE SPACER	HM6171
3	3/8"-16 x 1" HEX HD CAP SCREW	HS286
4	3/8"-16 FLANGE HEX NUT	HN5042
5	3/8"-16 x 3" HEX HEAD CAP SCREW	HS292
6	3/8" FLAT WASHER	HW2050

Figure 3
Z-Purlin Attachment

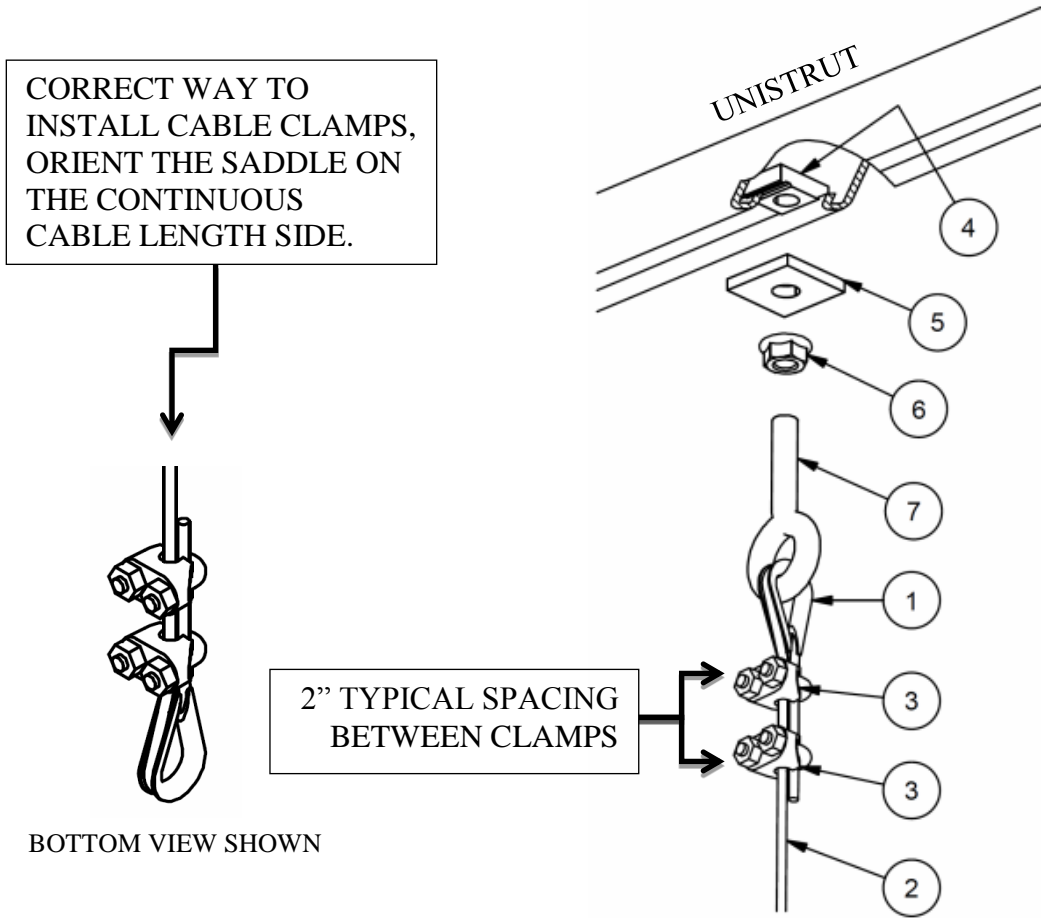


Parts List For I-Beam		
ITEM	DESCRIPTION	PART #
1	UNISTRUT BEAM CLAMP	HM6157

Figure 4
I-Beam Attachment

Suspended Cable:

1. Install the eyebolts on the support structure as shown.
2. Make up one end of each of the two cables, see Figure 5. Tighten the cable clamps using a 7/16" nut driver.
3. Estimate the approximate length of cable by measuring the height of the eyebolt and subtracting about 41 ft.
4. Make up the other end of each cable, leaving the clamps hand tight with excess cable left until the final length is established.



Parts List Suspended Cable		
ITEM	DESCRIPTION	PART #
1	1/4" CABLE THIMBLE	HM6079
2	1/4" x 19 AIRCRAFT CABLE 80' LONG, GALVANIZED	RC5014
3	1/4" CABLE CLAMP	HM6078
4	1/2"-13 UNISTRUT NUT	HM6134
5	1/2" UNISTRUT SQUARE WASHER	HM6135
6	1/2"-13 FLANGE LOCK NUT	HN5038
7	1/2"-13 x 4" BOLT EYE	HB5092

Figure 5

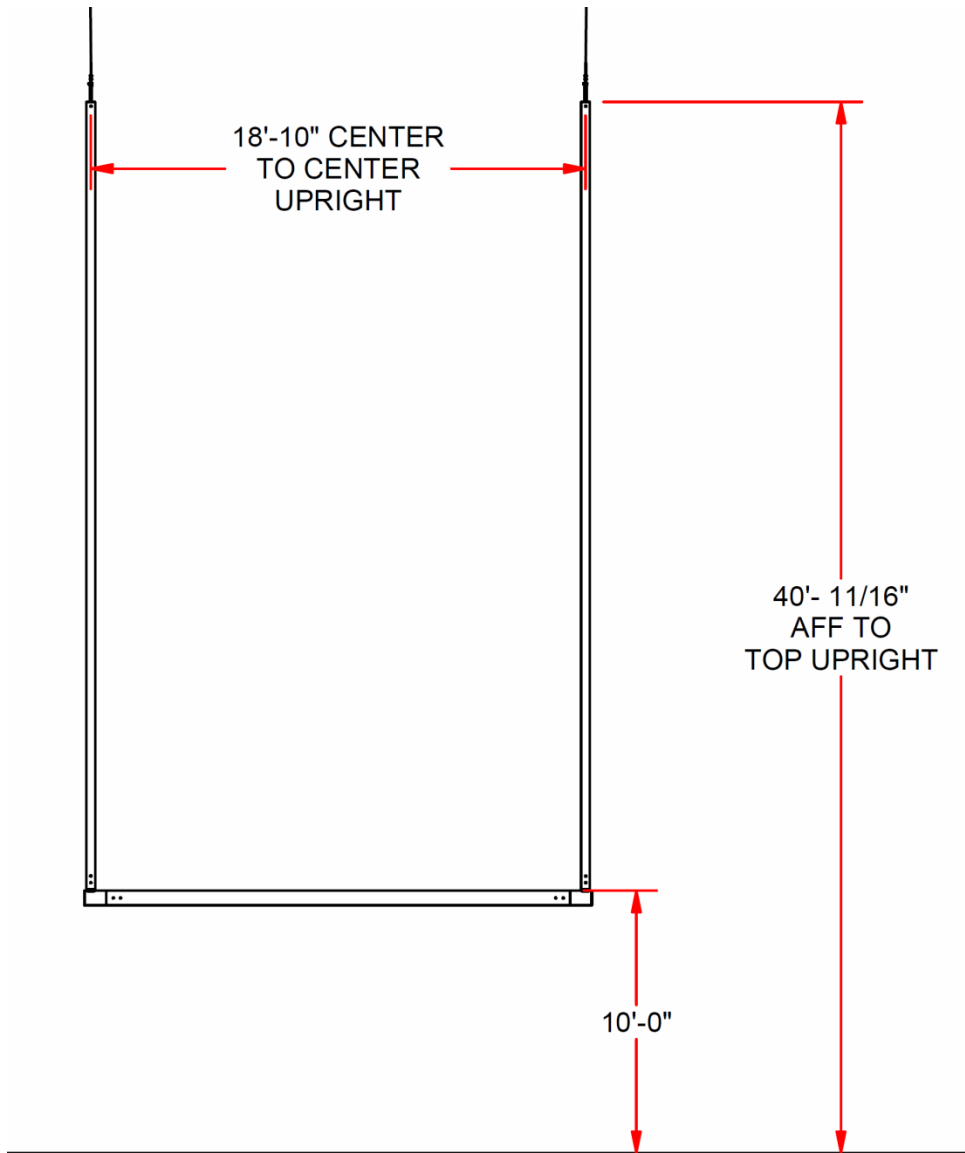


Figure 6

Crossbar Installation: Goal Post

1. Insert one end fitting into the crossbar. Orient the upright stem so it is perpendicular to the holes in the crossbar.
2. Mark the two holes using a center or transfer punch. **IMPORTANT:** It is important that the holes in the end fitting be properly placed to ensure that the end fittings are square and the uprights are parallel to each other.
3. Remove the end fitting and drill the marked holes. Start with a 3/16" bit, then a 3/8" bit, and finally a 1/2" bit.
4. Insert the end fitting in crossbar and loosely install the appropriate hardware. Verify that the upright stem is square to the crossbar and plumb.
5. Do other end making sure both upright stems are in line with one another.
6. Place the end fitting in the end of the upright and plumb to level in two directions front to back and side to side. Mark the single hole using a center punch. **IMPORTANT:** It is important that the holes in the end fitting be properly placed to ensure that the end fittings are square and the uprights are parallel to each other.
7. Remove the upright and drill the marked hole on the end fitting. Start with a 3/16" bit, then a 3/8" bit, and finally a 1/2" bit.
8. Once complete, repeat on the other side.
9. After both goalposts are installed use yellow rustoluem to paint all of the bolt heads and all of the nuts. This will give the fasteners an extra layer of protection and it will give the goalpost a finished look, and also touch up any scratches.

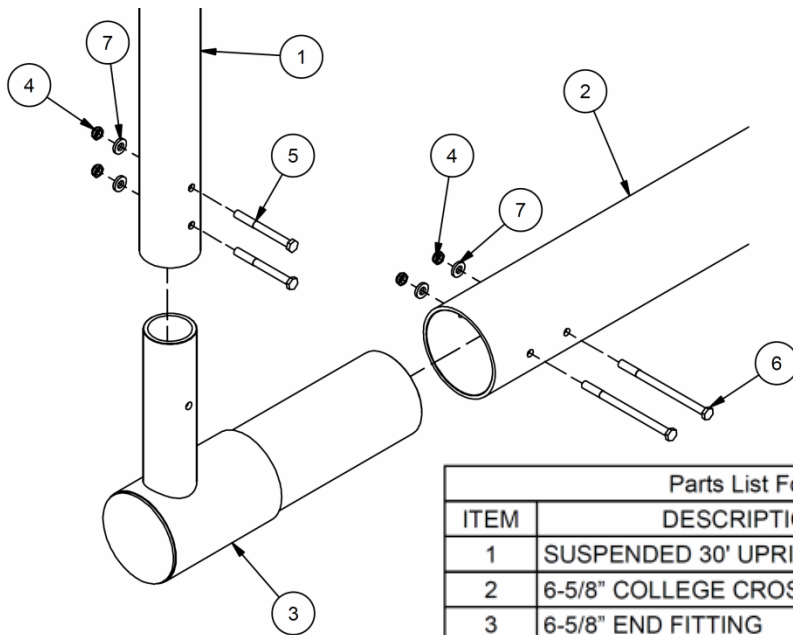
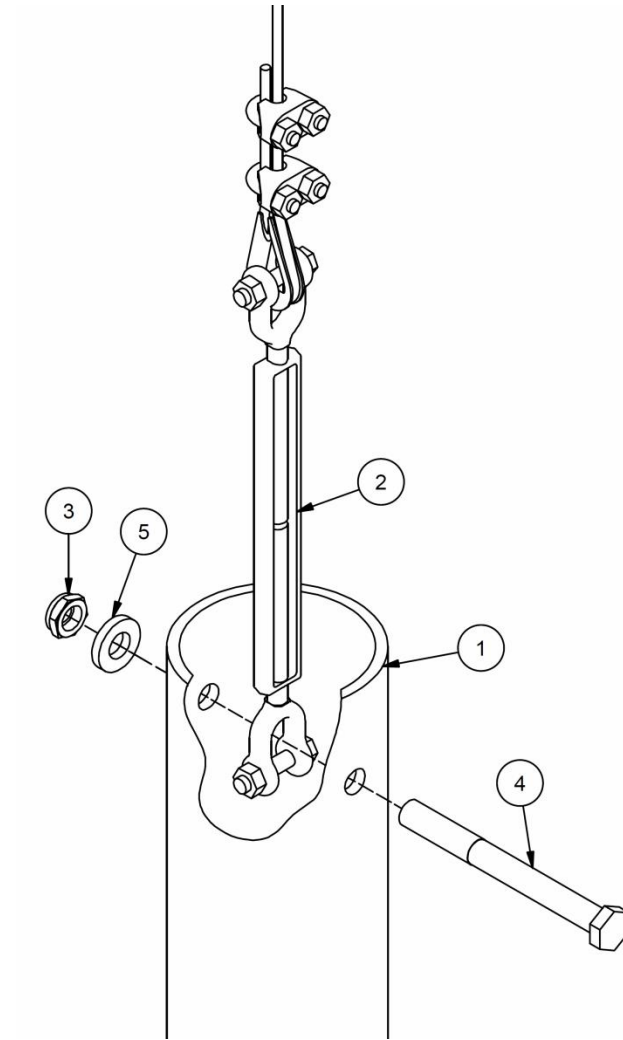


Figure 7

Parts List For Crossbar		
ITEM	DESCRIPTION	PART #
1	SUSPENDED 30' UPRIGHT	CSFBGP-D2
2	6-5/8" COLLEGE CROSSBAR PIPE	CSGP-1A
3	6-5/8" END FITTING	FBGP-801
4	1/2"-13 THIN NYLON LOCK NUT	HN268
5	1/2" - 13 x 5" HEX HEAD SCREW	HS5042
6	1/2" - 13 x 8" HEX HEAD SCREW	HS5066
7	1/2" SAE FLAT WASHER	HW2044

Crossbar Installation: Hanging Goal Post

1. Hoist the goal post up to the hanging cables and attach the turnbuckle as shown.
2. Adjust the cable length to get the approximate crossbar height of 10 ft above ground level.
3. Adjust the turnbuckles to level the crossbar and achieve the exact height of 10 ft above ground. The uprights should be plumb in both directions, front to back and side to side. Fine tune the turnbuckles as necessary (see Figure 6 and Figure 8).



Parts List		
ITEM	DESCRIPTION	PART #
1	SUSPENDED 30' UPRIGHT	CSFBGP-D2
2	3/8"-16 TURNBUCKLE, JAW TO JAW	HM6275
3	1/2"-13 THIN NYLON LOCK NUT	HN268
4	1/2" - 13 x 5" HEX HEAD SCREW	HS5042
5	1/2" FLAT WASHER	HW2044

Figure 8