

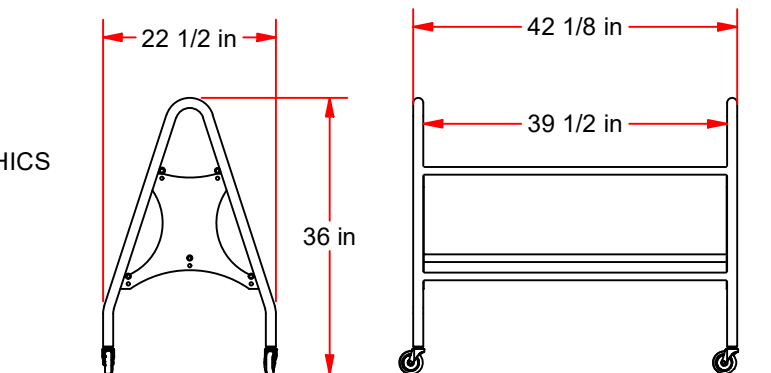


DTBR-12 PREMIUM BALL CARRIER



FEATURES:

- > DURABLE 1.315" OD STEEL FRAME
- > SIDE PANELS FOR OPTIONAL CUSTOM GRAPHICS
- > NON-MARKING SWIVEL WHEELS
- > HOLDS 12 BASKETBALLS



DTBR-12

PREMIUM BALL CARRIER

© COPYRIGHT 2017 JAYPRO SPORTS, LLC. ALL RIGHTS RESERVED
THIS PRINT IS THE PROPERTY OF JAYPRO SPORTS, LLC. AND MAY
NOT BE REPRODUCED WITHOUT WRITTEN PERMISSION

www.jaypro.com
(800) 243-0533
976 Hartford Turnpike
Waterford, CT 06385 USA

Sheet 1 of 1