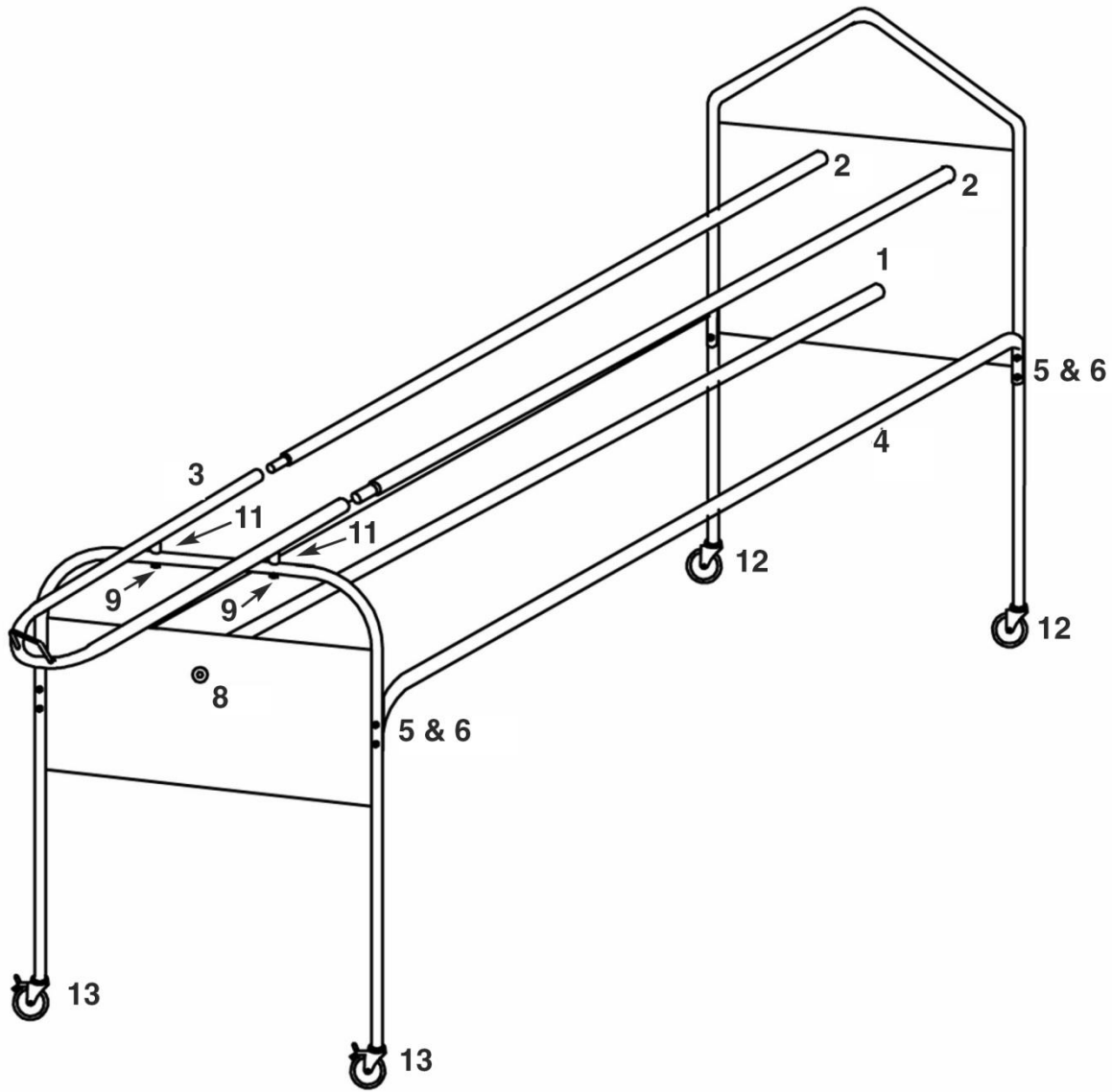




Item: **DTBR-19**



Hardware

- | | |
|-----------------------------|-------------------|
| M8 x 40mm Allen head screw | 8 ea. - #5 HS5145 |
| M8 Lock nut | 8 ea. - #6 HN261 |
| M8 Allen wrench | 1 ea. - #7 |
| M6 x 40mm Allen head screw | 4 ea. - #8 HS5299 |
| M6 Lock nut | 2 ea. - #9 HN6119 |
| M6 Allen wrench | 1 ea. - #10 |
| plastic spacers | 2 ea. - #11 |
| 75mm swivel casters | 2 ea. - #12 |
| 75mm locking swivel casters | 2 ea. - #13 |

(800) 243-0533