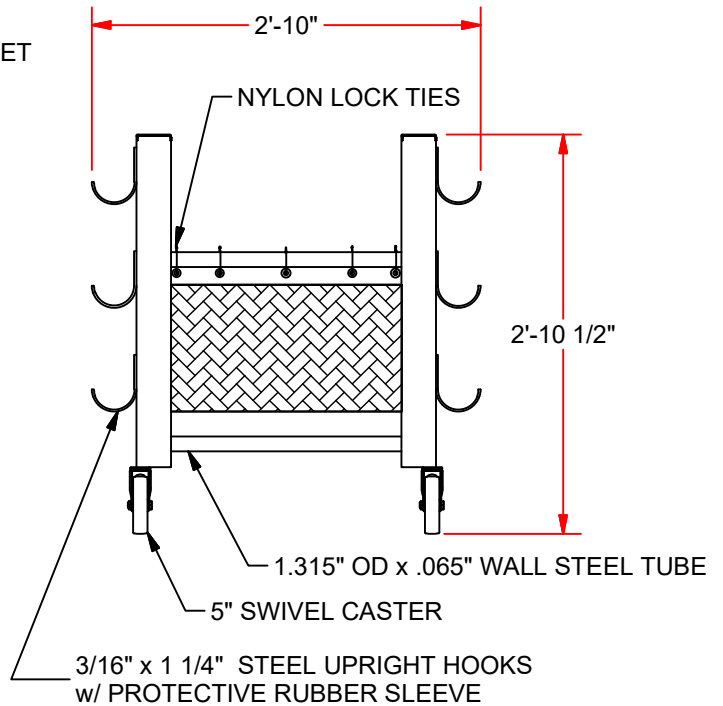
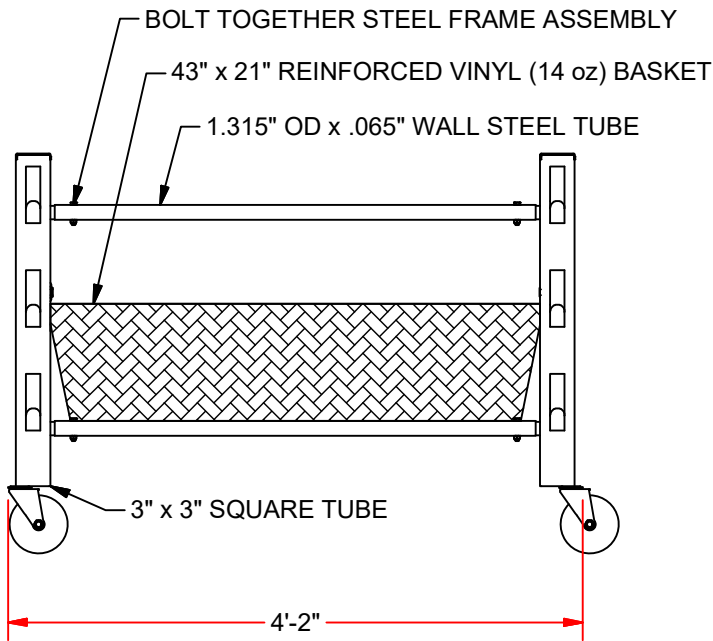




EC-1000 VOLLEYBALL UPRIGHT / EQUIPMENT CARRIER



EC-1000

VOLLEYBALL UPRIGHT / EQUIPMENT CARRIER

© COPYRIGHT 2017 JAYPRO SPORTS, LLC. ALL RIGHTS RESERVED
THIS PRINT IS THE PROPERTY OF JAYPRO SPORTS, LLC. AND MAY NOT BE REPRODUCED WITHOUT WRITTEN PERMISSION

www.jaypro.com
(800) 243-0533
976 Hartford Turnpike
Waterford, CT 06385 USA

Sheet 1 of 1



EC-1000 SPECIFICATION SHEET

Equipment carrier shall be manufactured from four 3" rigid steel square vertical posts which are joined together with 1-5/16" steel pipe welded between. Six 3/16" flat steel upright hooks are welded to each side to hold three standards per side. Uprights hooks shall be fitted w/ rubber sleeves to protect finish of volleyball standards. Four smooth rolling 5" swivel casters are assembled to the bottoms of the 3" square uprights for easy transport of volleyball posts, balls, nets and other equipment.

All steel construction shall be Jaypro blue powder coat.

A 43" x 21" reinforced vinyl equipment bag is assembled, by means of nylon lock ties, to each end rail for ample storage of nets, balls and antennas.